

GlobTek, Inc. www.globtek.com 186 Veterans Drive, Northvale, NJ 07647 Tel. (201) 784-1000 Fax (201) 784-0111	Drawing Title: USB A MALE to straight female barrel, 3.5 x 1.35 x 9.5mm with spring contact and locking notch, GT Cable #1185 #18 1c+Shield: 18 / 1+C Conductors, 3.5 +/-0.15 mmmm OD, UL STYLE 1185, 80 Degree, 300V, Shield 56 Strands 0.12mm2, Approvals: ,1830+150,-0mm, GlobTek Black	
	Model No. Low voltage cable	
	Part No./Ordering No. USBA11851M8K9P(R)	Rev B

CUSTOMIZED LENGTHS, COLORS, CABLE TYPES, TERMINATIONS/PLUGS/RECEPTACLES AVAILABLE UPON REQUEST. ADDITIONAL PLUG OPTIONS ARE AVAILABLE AT <https://www.globtek.com/connectors/> STANDARD PLUGS AND CONNECTORS CAN BE SEEN ONLINE AT <https://www.globtek.com/connectors/> ACTUAL CONNECTORS, OVERMOLDS, FERRITES MAY VARY SLIGHTLY FROM THE PICTURE BELOW DIMENSIONS ARE IN MM UNLESS SPECIFIED OTHERWISE

## REVISION HISTORY

REV	DESCRIPTION	SUB	DATE	APPROVED
B	Update spec to SF format	QA	08/16/2020	QA
A	INITIAL RELEASE	jsund	03/05/2015	QA

In Addition to GlobTek Inc.'s renewed ISO9001:2008 - Quality Management System Certification, GlobTek Inc. is now certified to:

ISO13485:2003 - Medical Devices Quality Management System Certification  
ISO14001:2004 - Environmental Management System Certification

ISO Certificates are available online at <https://www.globtek.com/iso-certificates/>

### Customer Approval of Specification:

Please approve, sign and send back to GlobTek so we can complete order processing.

A delay in receipt of this form will delay delivery schedule.

Company Name:

Customer P/N:

Quote Number:

Date:

Authorized Representative Name:

Authorized Representative Signature:

**RELEASED**

**By pudxc at 3:50 pm, Aug 20, 2020**

The acceptance of this specification and use of the product described in this document indicates the acceptance and binding of the customer to Globtek terms and conditions, which supersede all other agreements, terms, and conditions (<https://en.globtek.com/terms-and-conditions/>).

GlobTek, Inc. www.globtek.com 186 Veterans Drive, Northvale, NJ 07647 Tel. (201) 784-1000 Fax (201) 784-0111	Drawing Title: USB A MALE to straight female barrel, 3.5 x 1.35 x 9.5mm with spring contact and locking notch, GT Cable #1185 #18 1c+Shield: 18 / 1+C Conductors, 3.5 +/-0.15 mmmm OD, UL STYLE 1185, 80 Degree, 300V, Shield 56 Strands 0.12mm2, Approvals: ,1830+150,-0mm, GlobTek Black	
	Model No. Low voltage cable	
	Part No./Ordering No. USBA11851M8K9P(R)	Rev B

CUSTOMIZED LENGTHS, COLORS, CABLE TYPES, TERMINATIONS/PLUGS/RECEPTACLES AVAILABLE UPON REQUEST. ADDITIONAL PLUG OPTIONS ARE AVAILABLE AT <https://www.globtek.com/connectors/> STANDARD PLUGS AND CONNECTORS CAN BE SEEN ONLINE AT <https://www.globtek.com/connectors/> ACTUAL CONNECTORS, OVERMOLDS, FERRITES MAY VARY SLIGHTLY FROM THE PICTURE BELOW DIMENSIONS ARE IN MM UNLESS SPECIFIED OTHERWISE

The purchaser of this product (Customer) agrees that it is their sole responsibility to determine suitability/fitness of the product described in this specification for their application and to take precautions for protection against any hazards attendant to the handling and use of the product.

**Footnote:**

GlobTek Inc. will not be liable for the safety and performance of these power supplies if unauthorized access and repair occurs. End user should consult applicable UL, CSA or EN standards for proper installation instruction.

**Limitation of Use:**

GlobTek products are intended for use with commercial, medical, and/or industrial equipment only. GlobTek product are not authorized for use as mission critical components in life support hazardous environment, nuclear or aircraft applications without prior written approval from the CEO of GlobTek Inc.  
Contents of this document are subject to change without prior notice.

GlobTek, Inc. www.globtek.com 186 Veterans Drive, Northvale, NJ 07647 Tel. (201) 784-1000 Fax (201) 784-0111	Drawing Title: USB A MALE to straight female barrel, 3.5 x 1.35 x 9.5mm with spring contact and locking notch, GT Cable #1185 #18 1c+Shield: 18 / 1+C Conductors, 3.5 +/-0.15 mmmm OD, UL STYLE 1185, 80 Degree, 300V, Shield 56 Strands 0.12mm2, Approvals: ,1830+150,-0mm, GlobTek Black	
	Model No. Low voltage cable	
Part No./Ordering No. USBA11851M8K9P(R)		Rev B

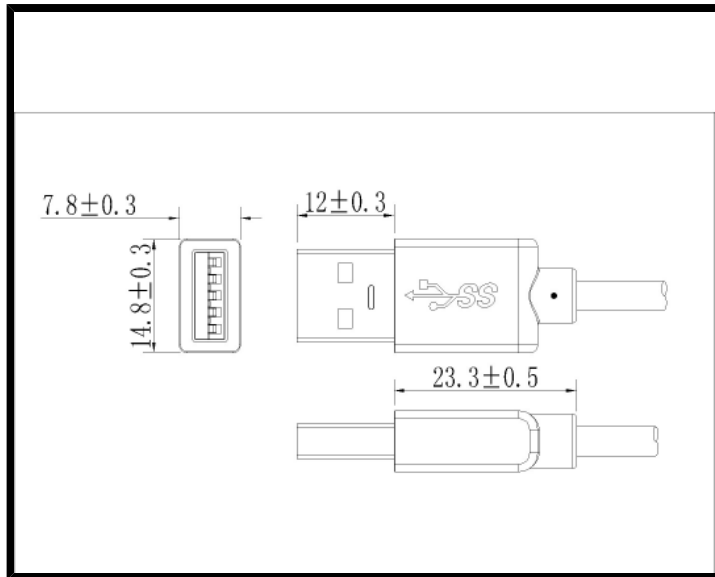
CUSTOMIZED LENGTHS, COLORS, CABLE TYPES, TERMINATIONS/PLUGS/RECEPTACLES AVAILABLE UPON REQUEST. ADDITIONAL PLUG OPTIONS ARE AVAILABLE AT <https://www.globtek.com/connectors/> STANDARD PLUGS AND CONNECTORS CAN BE SEEN ONLINE AT <https://www.globtek.com/connectors/> ACTUAL CONNECTORS, OVERMOLDS, FERRITES MAY VARY SLIGHTLY FROM THE PICTURE BELOW DIMENSIONS ARE IN MM UNLESS SPECIFIED OTHERWISE

Cordset Information:  
 CordsetColor:GlobTek Black  
 Cord Length (mm):1830+150,-0

**NOTES:**

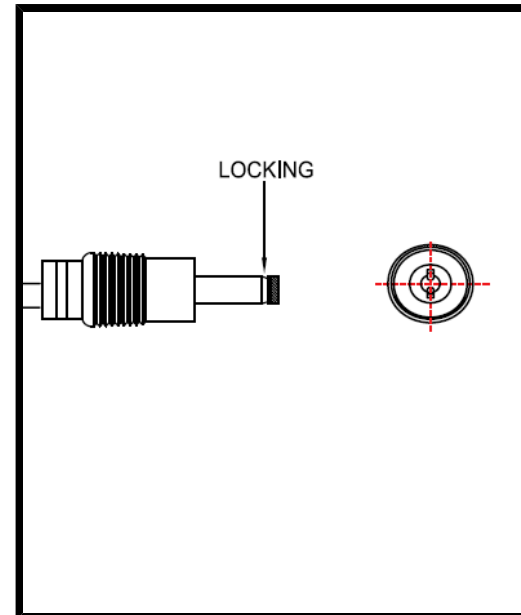
Cord, Plug and Connector must be marked with approval symbols of file number(s)

END A



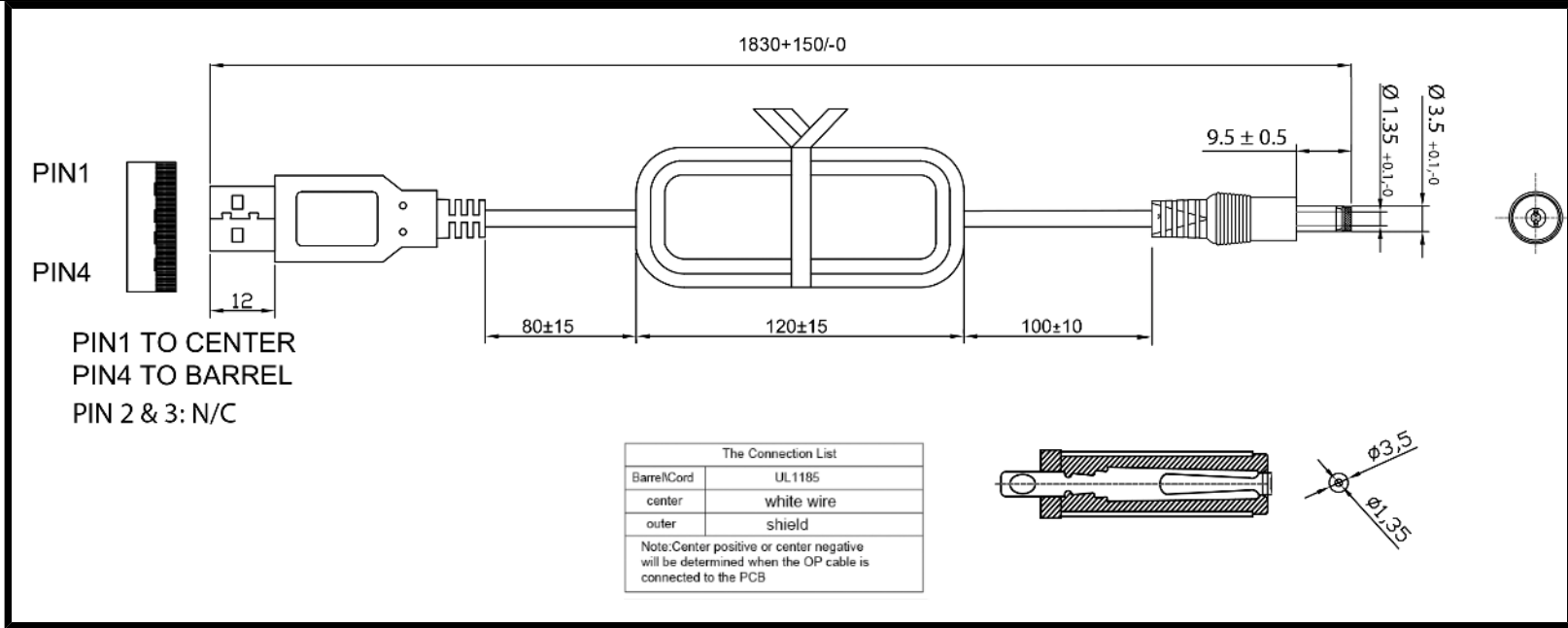
CABLE IMAGE

END B



GlobTek, Inc. www.globtek.com 186 Veterans Drive, Northvale, NJ 07647 Tel. (201) 784-1000 Fax (201) 784-0111	Drawing Title: USB A MALE to straight female barrel, 3.5 x 1.35 x 9.5mm with spring contact and locking notch, GT Cable #1185 #18 1c+Shield: 18 / 1+C Conductors, 3.5 +/-0.15 mmmm OD, UL STYLE 1185, 80 Degree, 300V, Shield 56 Strands 0.12mm2, Approvals: ,1830+150,-0mm, GlobTek Black
	Model No. Low voltage cable
Part No./Ordering No. USBA11851M8K9P(R)	Rev B

CUSTOMIZED LENGTHS, COLORS, CABLE TYPES, TERMINATIONS/PLUGS/RECEPTACLES AVAILABLE UPON REQUEST. ADDITIONAL PLUG OPTIONS ARE AVAILABLE AT <https://www.globtek.com/connectors/> STANDARD PLUGS AND CONNECTORS CAN BE SEEN ONLINE AT <https://www.globtek.com/connectors/> ACTUAL CONNECTORS, OVERMOLDS, FERRITES MAY VARY SLIGHTLY FROM THE PICTURE BELOW DIMENSIONS ARE IN MM UNLESS SPECIFIED OTHERWISE



GloTek, Inc. www.globtek.com 186 Veterans Drive, Northvale, NJ 07647 Tel. (201) 784-1000 Fax (201) 784-0111	Drawing Title: USB A MALE to straight female barrel, 3.5 x 1.35 x 9.5mm with spring contact and locking notch, GT Cable #1185 #18 1c+Shield: 18 / 1+C Conductors, 3.5 +/-0.15 mmmm OD, UL STYLE 1185, 80 Degree, 300V, Shield 56 Strands 0.12mm2, Approvals: ,1830+150,-0mm, GlobTek Black	
	Model No. Low voltage cable	
	Part No./Ordering No. USBA11851M8K9P(R)	Rev B

CUSTOMIZED LENGTHS, COLORS, CABLE TYPES, TERMINATIONS/PLUGS/RECEPTACLES AVAILABLE UPON REQUEST. ADDITIONAL PLUG OPTIONS ARE AVAILABLE AT <https://www.globtek.com/connectors/> STANDARD PLUGS AND CONNECTORS CAN BE SEEN ONLINE AT <https://www.globtek.com/connectors/> ACTUAL CONNECTORS, OVERMOLDS, FERRITES MAY VARY SLIGHTLY FROM THE PICTURE BELOW DIMENSIONS ARE IN MM UNLESS SPECIFIED OTHERWISE

<b>End A</b> Code:USBAM Description:USB A MALE Rating (V):30 Rating (A):3,0 Gender:Male Overmolded:Yes	<b>Cable</b> Code:1185 #18 1c+Shield Description:GT Cable #1185 #18 1c+Shield: 18 / 1+C Conductors, 3.5 +/-0.15 mmmm OD, UL STYLE 1185, 80 Degree, 300V, Shield 56 Strands 0.12mm2, Approvals: Color:GlobTek Black Wire Gauge(AWG):18 Cond:1+C Type:UL STYLE 1185 Temperature:80 Amps: Volts:300 OD:3.5 +/-0.15 mm ConductorsColors:Shield 56 Strands 0.12mm2	<b>End B</b> Code:KCP-9.5MM Description:straight female barrel, 3.5 x 1.35 x 9.5mm with spring contact and locking notch Rating (V):20 Rating (A):2,0 Gender:Female Overmolded:Yes
--	--	--

Overall cable rating:

Plug Approvals	Cable Approvals	Connector Approvals
----------------	-----------------	---------------------



UL for Power Cords

GloTek, Inc. www.globtek.com 186 Veterans Drive, Northvale, NJ 07647 Tel. (201) 784-1000 Fax (201) 784-0111	Drawing Title: USB A MALE to straight female barrel, 3.5 x 1.35 x 9.5mm with spring contact and locking notch, GT Cable #1185 #18 1c+Shield: 18 / 1+C Conductors, 3.5 +/-0.15 mmmm OD, UL STYLE 1185, 80 Degree, 300V, Shield 56 Strands 0.12mm2, Approvals: ,1830+150,-0mm, GlobTek Black	
	Model No. Low voltage cable	
	Part No./Ordering No. USBA11851M8K9P(R)	Rev B

CUSTOMIZED LENGTHS, COLORS, CABLE TYPES, TERMINATIONS/PLUGS/RECEPTACLES AVAILABLE UPON REQUEST. ADDITIONAL PLUG OPTIONS ARE AVAILABLE AT <https://www.globtek.com/connectors/> STANDARD PLUGS AND CONNECTORS CAN BE SEEN ONLINE AT <https://www.globtek.com/connectors/> ACTUAL CONNECTORS, OVERMOLDS, FERRITES MAY VARY SLIGHTLY FROM THE PICTURE BELOW DIMENSIONS ARE IN MM UNLESS SPECIFIED OTHERWISE

Hanking:SEE DRAWING

Description:See cordset drawing for hanking details

Image:

Notes/Modifications/Customizations (notes in this section supersede the values shown in the standard spec):