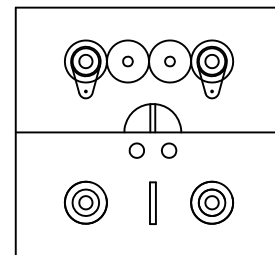
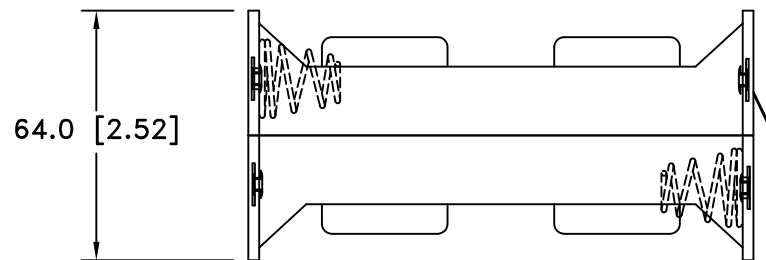
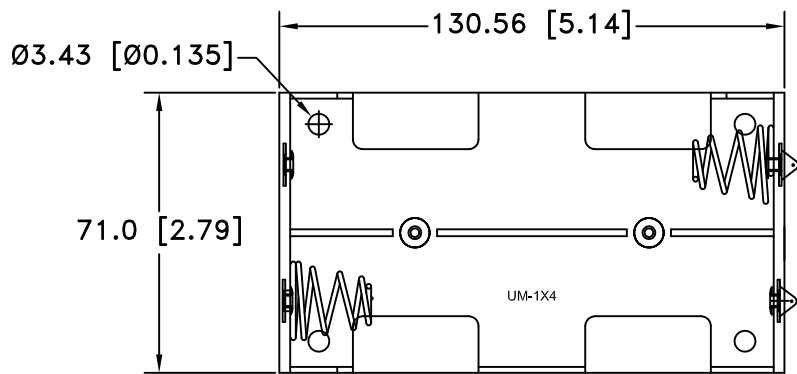



Date	SYM	REVISION RECORD	AUTH	DR.	CK.
08/01/14	B	UPDATED TO ROHS 2 COMPLIANT	T.B.	B.S.	
03/10/17	C	ADDED 4 HOLES	T.B.	B.S.	
03/31/17	D	DIM. 3.43 WAS 5.40 DIM. 64.0 WAS 64.52	T.B.	B.S.	



**SPECIFICATION:**

**1. MATERIAL:**

HOUSING : BLACK POLYPROPYLENE  
 FLAMMABILITY RATING -UL94-HB, UL FILE NO. E216959  
 TEMPERATURE RANGE: -10°C to +100°C  
 RIVETS: BRASS, NICKLE PLTD.  
 SPRING: SPRING STEEL, NICKLE PLTD.  
 CONTACT RESISTANCE: UNDER 50mΩ FOR +/- CONTACTS PER  
 EIA-540J000  
 ROHS 2 COMPLIANT

Tolerance (Except as noted)	 <b>Memory Protection Devices, Inc</b> 200 Broad Hollow Road, Farmingdale, New York 11735	Scale	Drawn By B.S.
			Approved By T.B.
decimal ±.5 (.020)	Title 8 "D" CELL HOLDER WITH SOLDER LUGS		
Fractional ± .8 (.030)			
Angular ± 3°	Date 03/31/17	Drawing Number BH428DL	