

GloTek, Inc. www.globtek.com 186 Veterans Drive, Northvale, NJ 07647 Tel. (201) 784-1000 Fax (201) 784-0111	Drawing Title: MOLEX HOUSING 39-01-2045 4.2MM PITCH AND ROW SPACING Mini-Fit Jr. Receptacle Housing, Dual Row or Eq to REMOVE OUTER JACKET, ENDS CUT BLUNT, GT Cable #2464-2*#18+2*#24: 18/24 / 4 Conductors, 5.5mm OD, 2464, 80 Deg.C, 300V, BLACK/RED/YELLOW/GREEN, Approvals: , 1200mm, GlobTek Black	
	Model No. Low voltage cable	Part No./Ordering No. MLX4246441M2SSS
		Rev A1

CUSTOMIZED LENGTHS, COLORS, CABLE TYPES, TERMINATIONS/PLUGS/RECEPTACLES AVAILABLE UPON REQUEST. ADDITIONAL PLUG OPTIONS ARE AVAILABLE AT <https://www.globtek.com/connectors/> STANDARD PLUGS AND CONNECTORS CAN BE SEEN ONLINE AT <https://www.globtek.com/connectors/> ACTUAL CONNECTORS, OVERMOLDS, FERRITES MAY VARY SLIGHTLY FROM THE PICTURE BELOW DIMENSIONS ARE IN MM UNLESS SPECIFIED OTHERWISE

In Addition to GlobTek Inc.'s renewed ISO9001:2008 - Quality Management System Certification, GlobTek Inc. is now certified to:

- ISO13485:2003 - Medical Devices Quality Management System Certification
- ISO14001:2004 - Environmental Management System Certification

ISO Certificates are available online at <https://www.globtek.com/iso-certificates/>

Prop 65 Statement: <https://en.globtek.com/prop-65-statement.pdf>

The acceptance of this specification and use of the product described in this document indicates the acceptance and binding of the customer to Globtek TERMS AND CONDITIONS (attached to the end of this document), which supersede all other agreements, terms, and conditions (<https://en.globtek.com/terms-and-conditions/>).

The purchaser of this product (Customer) agrees that it is their sole responsibility to determine suitability/fitness of the product described in this specification for their application and to take precautions for protection against any hazards attendant to the handling and use of the product.

Footnote:

GlobTek Inc. will not be liable for the safety and performance of these power supplies if unauthorized access and repair occurs. End user should consult applicable UL, CSA or EN standards for proper installation instruction.

Limitation of Use:

GlobTek products are intended for use with commercial, medical, and/or industrial equipment only. GlobTek product are not authorized for use as mission critical components in life support hazardous environment, nuclear or aircraft applications without prior written approval from the CEO of GlobTek Inc.
Contents of this document are subject to change without prior notice.

Customer Approval of Specification:

Please approve, sign and send back to GlobTek so we can complete order processing.

A delay in receipt of this form will delay delivery schedule.

Company Name: _____	Customer P/N: _____
Quote Number: _____	Date: _____
Authorized Representative Name: _____	Authorized Representative Signature: _____

GlobTek, Inc. www.globtek.com 186 Veterans Drive, Northvale, NJ 07647 Tel. (201) 784-1000 Fax (201) 784-0111	Drawing Title: MOLEX HOUSING 39-01-2045 4.2MM PITCH AND ROW SPACING Mini-Fit Jr. Receptacle Housing, Dual Row or Eq to REMOVE OUTER JACKET, ENDS CUT BLUNT, GT Cable #2464-2*#18+2*#24: 18/24 / 4 Conductors, 5.5mm OD, 2464, 80 Deg.C, 300V, BLACK/RED/YELLOW/GREEN, Approvals: , 1200mm, GlobTek Black	
	Model No. Low voltage cable	
	Part No./Ordering No. MLX4246441M2SSS	Rev A1

CUSTOMIZED LENGTHS, COLORS, CABLE TYPES, TERMINATIONS/PLUGS/RECEPTACLES AVAILABLE UPON REQUEST. ADDITIONAL PLUG OPTIONS ARE AVAILABLE AT <https://www.globtek.com/connectors/> STANDARD PLUGS AND CONNECTORS CAN BE SEEN ONLINE AT <https://www.globtek.com/connectors/> ACTUAL CONNECTORS, OVERMOLDS, FERRITES MAY VARY SLIGHTLY FROM THE PICTURE BELOW DIMENSIONS ARE IN MM UNLESS SPECIFIED OTHERWISE

REVISION HISTORY

REV	DESCRIPTION	SUB	DATE	APPROVED
A1	Change End 'B' from 'Strip and Tin' to 'straight lead'	QA	09/17/2021	QA
A	Initial release	DR	10/20/2020	DAVID

Cordset Information:

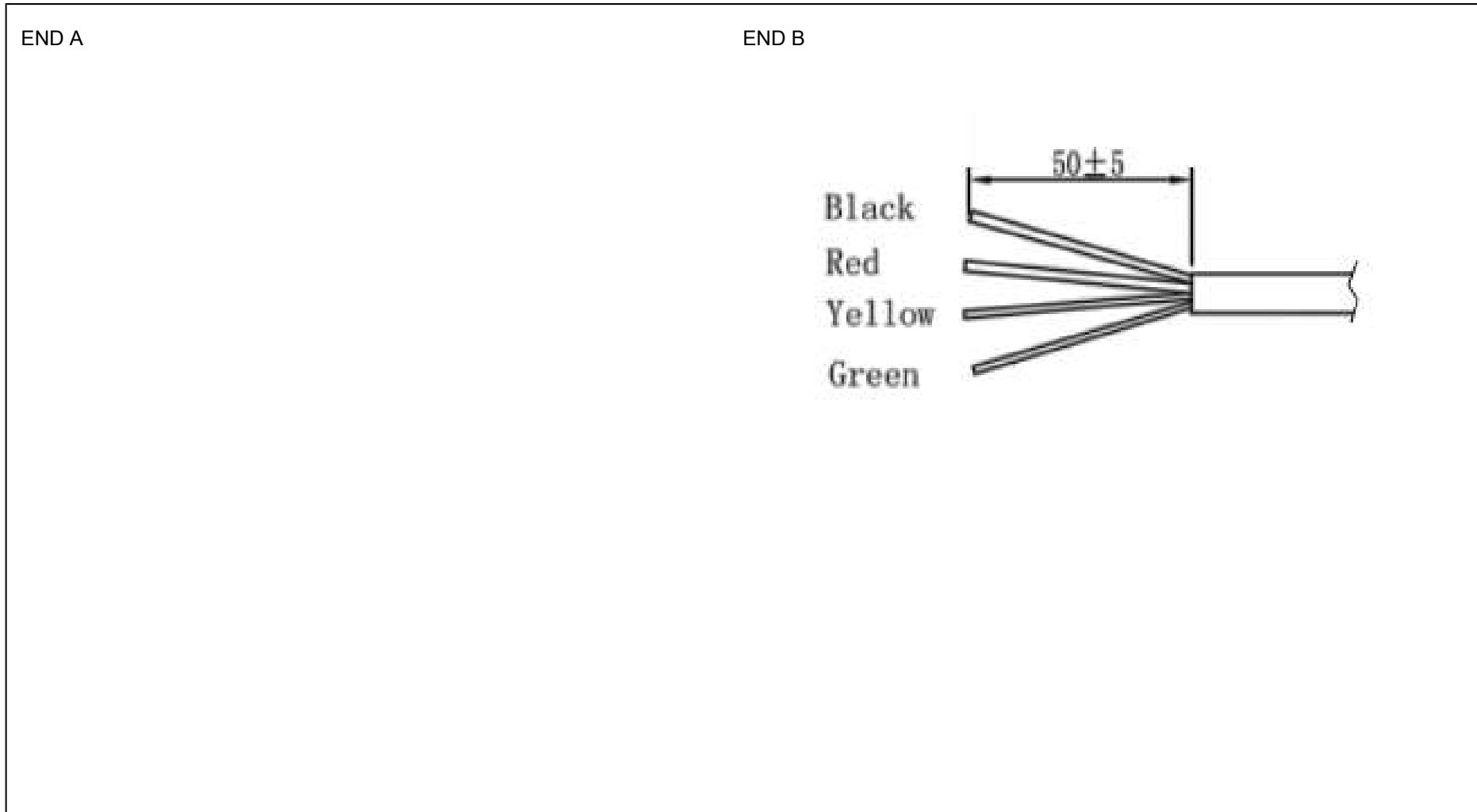
CordsetColor:GlobTek Black

Cord Length (mm):1200

NOTES:

GlobTek, Inc. www.globtek.com 186 Veterans Drive, Northvale, NJ 07647 Tel. (201) 784-1000 Fax (201) 784-0111	Drawing Title: MOLEX HOUSING 39-01-2045 4.2MM PITCH AND ROW SPACING Mini-Fit Jr. Receptacle Housing, Dual Row or Eq to REMOVE OUTER JACKET, ENDS CUT BLUNT, GT Cable #2464-2*#18+2*#24: 18/24 / 4 Conductors, 5.5mm OD, 2464, 80 Deg.C, 300V, BLACK/RED/YELLOW/GREEN, Approvals: , 1200mm, GlobTek Black	
	Model No. Low voltage cable	Part No./Ordering No. MLX4246441M2SSS
		Rev A1

CUSTOMIZED LENGTHS, COLORS, CABLE TYPES, TERMINATIONS/PLUGS/RECEPTACLES AVAILABLE UPON REQUEST. ADDITIONAL PLUG OPTIONS ARE AVAILABLE AT <https://www.globtek.com/connectors/> STANDARD PLUGS AND CONNECTORS CAN BE SEEN ONLINE AT <https://www.globtek.com/connectors/> ACTUAL CONNECTORS, OVERMOLDS, FERRITES MAY VARY SLIGHTLY FROM THE PICTURE BELOW DIMENSIONS ARE IN MM UNLESS SPECIFIED OTHERWISE



PROPRIETARY INFORMATION

PROPRIETARY OF GLOBTEK, INC. ANY REPRODUCTION, DISCLOSURE OR USE OF THIS DRAWING, IN WHOLE OR IN PART, IS HEREBY PROHIBITED EXCEPT AS SPECIFIED IN WRITING BY GLOBTEK, INC. © GlobTek, Inc. 2020 - 2023

quest /10/14/2023 2:55:28 PM CLONED FROM LMP18AWG0M1MLX267R

GlobTek, Inc. www.globtek.com 186 Veterans Drive, Northvale, NJ 07647 Tel. (201) 784-1000 Fax (201) 784-0111	Drawing Title: MOLEX HOUSING 39-01-2045 4.2MM PITCH AND ROW SPACING Mini-Fit Jr. Receptacle Housing, Dual Row or Eq to REMOVE OUTER JACKET, ENDS CUT BLUNT, GT Cable #2464-2*#18+2*#24: 18/24 / 4 Conductors, 5.5mm OD, 2464, 80 Deg.C, 300V, BLACK/RED/YELLOW/GREEN, Approvals: , 1200mm, GlobTek Black	
	Model No. Low voltage cable	
Part No./Ordering No. MLX4246441M2SSS		Rev A1

CUSTOMIZED LENGTHS, COLORS, CABLE TYPES, TERMINATIONS/PLUGS/RECEPTACLES AVAILABLE UPON REQUEST. ADDITIONAL PLUG OPTIONS ARE AVAILABLE AT <https://www.globtek.com/connectors/> STANDARD PLUGS AND CONNECTORS CAN BE SEEN ONLINE AT <https://www.globtek.com/connectors/> ACTUAL CONNECTORS, OVERMOLDS, FERRITES MAY VARY SLIGHTLY FROM THE PICTURE BELOW DIMENSIONS ARE IN MM UNLESS SPECIFIED OTHERWISE



Color may be substituted without notice

Terminal is 39000060, Mini-Fit Female Crimp Terminal, Tin (Sn) over Phosphor Bronze or equal.

Mates with:

39012041, 39012046, 39013043, 39013049, 15246041, 5246042, 15286041,
15286042, 39281043, 39288040, 9289048, 39290043, 39293046, 39296048,

39299042, 9299043, 39299044, 39299045, 39299046, 39299047,
9299049, 39306045, 39306048, 26013115, 26013128, 6013142,
39291047, 438100353, 438100364, 438100001

PROPRIETARY INFORMATION

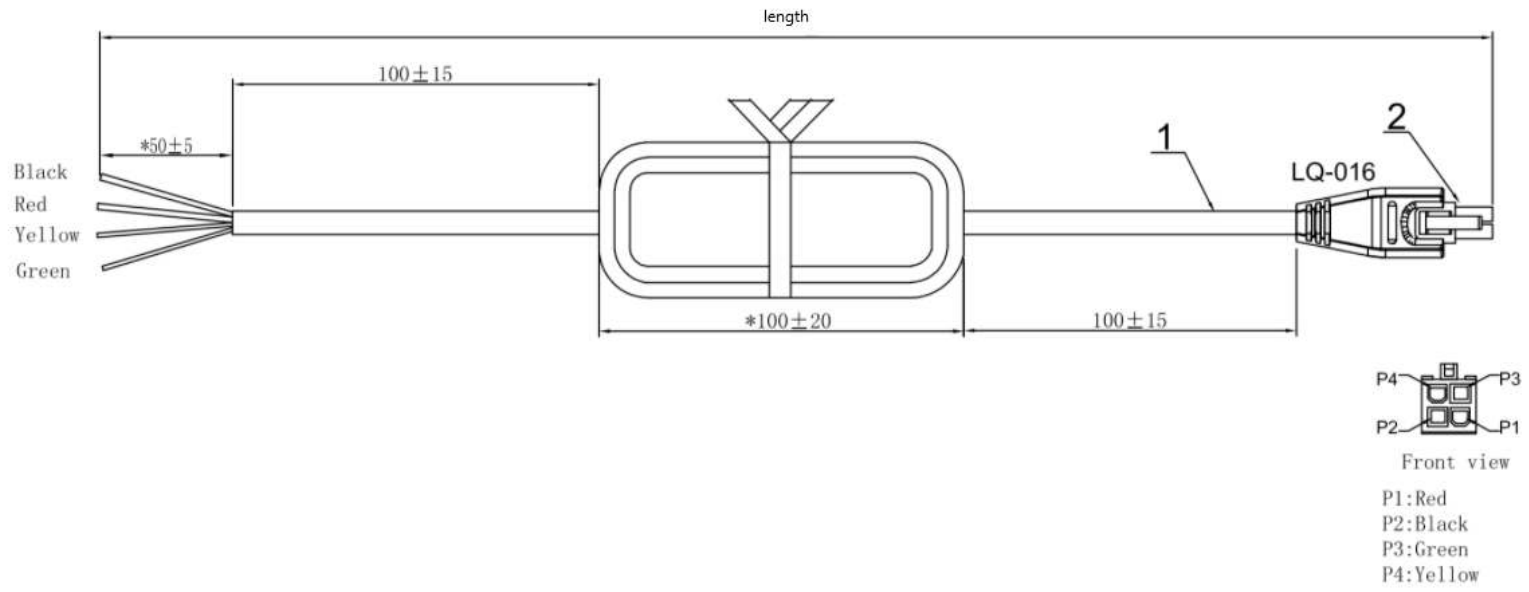
PROPRIETARY OF GLOBTEK, INC. ANY REPRODUCTION, DISCLOSURE OR USE OF THIS DRAWING, IN WHOLE OR IN PART, IS HEREBY PROHIBITED EXCEPT AS SPECIFIED IN WRITING BY GLOBTEK, INC. © GlobTek, Inc. 2020 - 2023

quest /10/14/2023 2:55:28 PM CLONED FROM LMP18AWG0M1MLX267R

GlobTek, Inc. www.globtek.com 186 Veterans Drive, Northvale, NJ 07647 Tel. (201) 784-1000 Fax (201) 784-0111	Drawing Title: MOLEX HOUSING 39-01-2045 4.2MM PITCH AND ROW SPACING Mini-Fit Jr. Receptacle Housing, Dual Row or Eq to REMOVE OUTER JACKET, ENDS CUT BLUNT, GT Cable #2464-2*#18+2*#24: 18/24 / 4 Conductors, 5.5mm OD, 2464, 80 Deg.C, 300V, BLACK/RED/YELLOW/GREEN, Approvals: , 1200mm, GlobTek Black
	Model No. Low voltage cable
Part No./Ordering No. MLX4246441M2SSS	Rev A1

CUSTOMIZED LENGTHS, COLORS, CABLE TYPES, TERMINATIONS/PLUGS/RECEPTACLES AVAILABLE UPON REQUEST. ADDITIONAL PLUG OPTIONS ARE AVAILABLE AT <https://www.globtek.com/connectors/> STANDARD PLUGS AND CONNECTORS CAN BE SEEN ONLINE AT <https://www.globtek.com/connectors/> ACTUAL CONNECTORS, OVERMOLDS, FERRITES MAY VARY SLIGHTLY FROM THE PICTURE BELOW DIMENSIONS ARE IN MM UNLESS SPECIFIED OTHERWISE

CABLE IMAGE



GlobTek, Inc. www.globtek.com 186 Veterans Drive, Northvale, NJ 07647 Tel. (201) 784-1000 Fax (201) 784-0111	Drawing Title: MOLEX HOUSING 39-01-2045 4.2MM PITCH AND ROW SPACING Mini-Fit Jr. Receptacle Housing, Dual Row or Eq to REMOVE OUTER JACKET, ENDS CUT BLUNT, GT Cable #2464-2*#18+2*#24: 18/24 / 4 Conductors, 5.5mm OD, 2464, 80 Deg.C, 300V, BLACK/RED/YELLOW/GREEN, Approvals: , 1200mm, GlobTek Black	
	Model No. Low voltage cable	
	Part No./Ordering No. MLX4246441M2SSS	Rev A1

CUSTOMIZED LENGTHS, COLORS, CABLE TYPES, TERMINATIONS/PLUGS/RECEPTACLES AVAILABLE UPON REQUEST. ADDITIONAL PLUG OPTIONS ARE AVAILABLE AT <https://www.globtek.com/connectors/> STANDARD PLUGS AND CONNECTORS CAN BE SEEN ONLINE AT <https://www.globtek.com/connectors/> ACTUAL CONNECTORS, OVERMOLDS, FERRITES MAY VARY SLIGHTLY FROM THE PICTURE BELOW DIMENSIONS ARE IN MM UNLESS SPECIFIED OTHERWISE

End A Code:MLX4-4.2.2 Description:MOLEX HOUSING 39-01-2045 4.2MM PITCH AND ROW SPACING Mini-Fit Jr. Receptacle Housing, Dual Row or Eq Rating (V):250 Rating (A):13.0 Gender:Female Overmolded:Yes	Cable Code:2464-2*#18+2*#24 Description:GT Cable #2464-2*#18+2*#24: 18/24 / 4 Conductors, 5.5mm OD, 2464, 80 Deg.C, 300V, BLACK/RED/YELLOW/GREEN, Approvals: Color:GlobTek Black Wire Gauge(AWG):18/24 Cond:4 Type:2464 Temperature:80° C Amps: Volts:300 OD:5.5 ConductorsColors:BLACK/RED/YELLOW/GREEN	End B Code:SSS - 50 mm Description:REMOVE OUTER JACKET, ENDS CUT BLUNT Rating (V): Rating (A): Gender:N/A Overmolded:No
--	---	---

Overall cable rating:13A/250V

Plug Approvals	Cable Approvals	Connector Approvals
----------------	-----------------	---------------------

AGENCY ONLINE DOCUMENTS	http://en.globtek.com/cordsets/
RoHS/RoHS3 Declaration	https://www.globtek.com/pdf/rohs_cert/01t3a000005CQZtAAO
REACH Declaration	https://www.globtek.com/pdf/iso_certificates/REACH.pdf
Conflict Minerals Declaration	https://www.globtek.com/pdf/conflict-minerals.pdf
Prop 65 Statement	https://en.globtek.com/prop-65-statement.pdf
CE.UKGA.Cord	https://globtek.secure.force.com/spec/ec_decl_product_model_family_incl_cord?id=01t3a000005CQZt

IPXY rating is based on 3rd party testing and customers should check suitability and test system level IPXY rating before ordering.

GlobTek, Inc. www.globtek.com 186 Veterans Drive, Northvale, NJ 07647 Tel. (201) 784-1000 Fax (201) 784-0111	Drawing Title: MOLEX HOUSING 39-01-2045 4.2MM PITCH AND ROW SPACING Mini-Fit Jr. Receptacle Housing, Dual Row or Eq to REMOVE OUTER JACKET, ENDS CUT BLUNT, GT Cable #2464-2*#18+2*#24: 18/24 / 4 Conductors, 5.5mm OD, 2464, 80 Deg.C, 300V, BLACK/RED/YELLOW/GREEN, Approvals: , 1200mm, GlobTek Black	
	Model No. Low voltage cable	
	Part No./Ordering No. MLX4246441M2SSS	Rev A1

CUSTOMIZED LENGTHS, COLORS, CABLE TYPES, TERMINATIONS/PLUGS/RECEPTACLES AVAILABLE UPON REQUEST. ADDITIONAL PLUG OPTIONS ARE AVAILABLE AT <https://www.globtek.com/connectors/> STANDARD PLUGS AND CONNECTORS CAN BE SEEN ONLINE AT <https://www.globtek.com/connectors/> ACTUAL CONNECTORS, OVERMOLDS, FERRITES MAY VARY SLIGHTLY FROM THE PICTURE BELOW DIMENSIONS ARE IN MM UNLESS SPECIFIED OTHERWISE

Hanking:SEE DRAWING

Description:See cordset drawing for hanking details

Image:

Notes/Modifications/Customizations (notes in this section supersede the values shown in the standard spec):

Wiring Instructions:

Pin 1 of Molex to Center Pin of Barrel Plug

Pin 2 of Molex to Outer shell of Barrel Plug

Gap between cable jacked and Molex not to exceed 5mm.