

REV.	SPECIFICATION	ECN NO.	APPD.
R3		ECN230928	

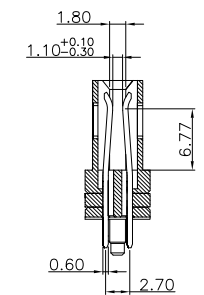
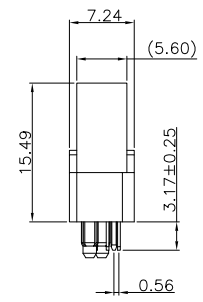
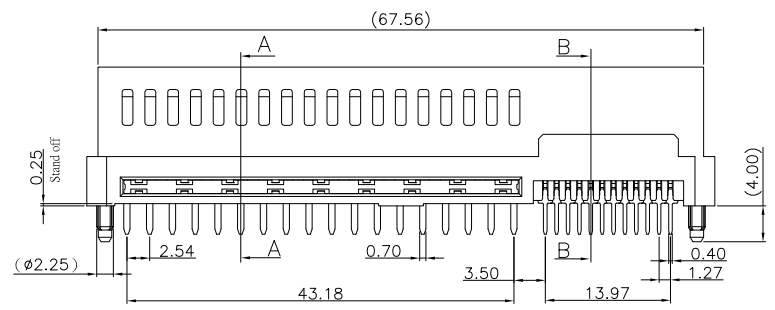
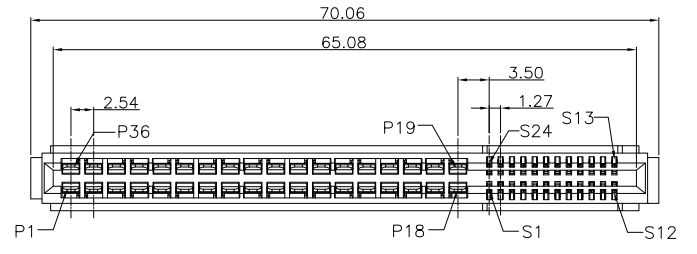
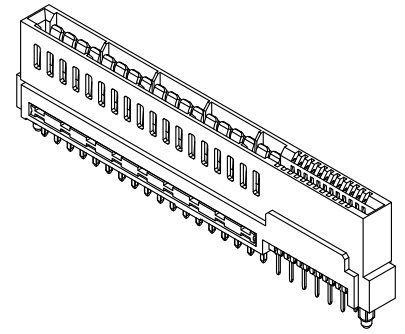
**Material and Plating:**

**Housing:** LCP, UL94V-0, BLACK.  
**Power Contacts:** High Conductivity Copper .  
 30u" Au+Pd/Ni on Contact Area and 80u" Min Matte Tin Plated on Solder Tail over nickel 50u" Min under plated .  
**Signal Contacts :** Phosphor Bronze .  
 30u" Au+Pd/Ni on Contact Area and 80u" Min Matte Tin Plated on Solder Tail over nickel 50u" Min under plated .

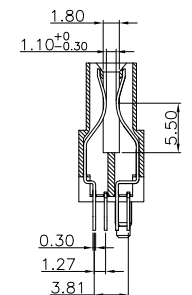
**Electrical Characteristics:**

**Current Rating:** Signal Pin 1.5 AMP.  
 Power Pin 12.5AMP(UL).  
**Dielectric Withstanding Voltage:**  
 Signal Pin DC 500V For 1 minute.  
 Power Pin DC 1000V For 1 minute.  
**Insulator Resistance:** Signal Pin 500MΩ min. at DC 500V.  
 Power Pin 5000MΩ min. at DC 500V.  
**Contact Resistance:** Signal Pin 25mΩ max.  
 Power Pin 0.6mΩ max.  
**Operating Temperature:** -55°C ~+105°C .

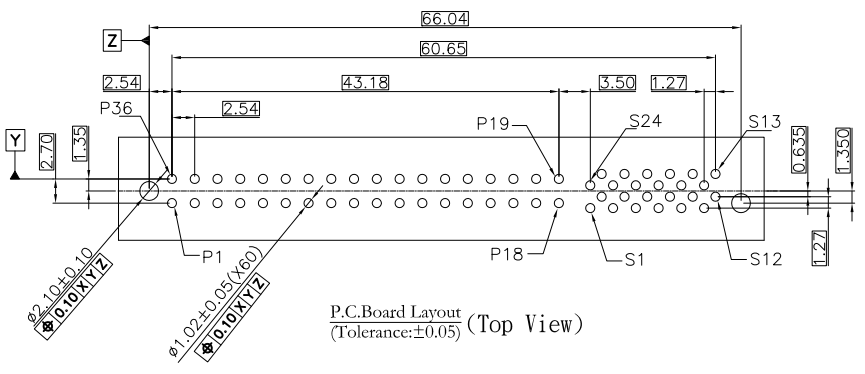
**\*RoHS Compliant**



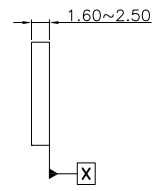
Section A-A  
Scale: 1:1



Section B-B  
Scale: 1:1



P.C.Board Layout  
(Tolerance:±0.05) (Top View)

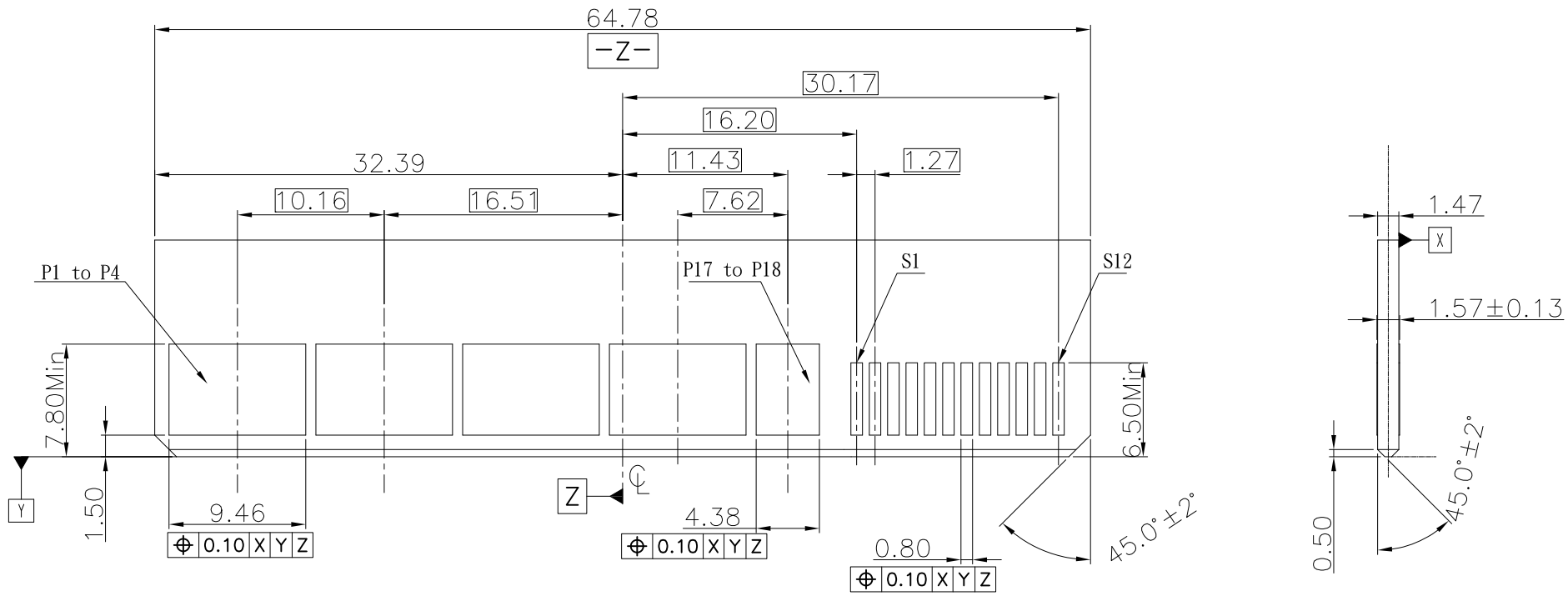


9302- 2 A1 S24 P 1 1 A CB30 D A  
 Series  
 2:Female-Straight  
 A1: Power Assembly  
 Sxx:Signal pin  
 N:Without Post  
 P:With Post  
 1:DIM (Tail) 3.17mm  
 A: Tray Package  
 D: Dip Type  
 CB30: Contact Au+Pd/Ni,  
 Dip Tin Power Pin:30u"  
 C10: (Power pin) Selective Gold Plated  
 10u"  
 A:Signal pitch 1.27  
 B:Signal pitch 2.54  
 1:DIM (GAP) 1.1mm



Tolerances	Dwg. No.	9302-D0000-011	Title:
X=±0.50	Projection		9302 Series High Power and Signal Edge Card Connector
.X=±0.25	Unit	mm	
.XX=±0.15	Scale	1:1	
	Drawn By	GYJ 09/14'23	

OUPIN ELECTRONIC(KUNSHAN) CO., LTD.			
P/N:9302-2A1S24P11ACB30DA			
SHEET	1/2	Ver.No.	R3

REV.	SPECIFICATION	ECN NO.	APPD.
R3		ECN230928	



RECOMMENDED MATTING BOARD FOOTPRINT  
(Tolerance: ±0.05)

Tolerances	Dwg. No.	9302-D0000-011	Title:		 OUPIIN ELECTRONIC(KUNSHAN) CO., LTD. P/N: 9302-2A1S24P11ACB30DA SHEET 2/2 Ver.No. R3
X=±0.50	Projection		9302 Series		
.X=±0.25	Unit	mm	Scale	1:1	
.XX=±0.15	Drawn By	GYJ 09/14'23	High Power and Signal Edge Card Connector		