

PCS TERMINAL OPTION  
PCB LAYOUT - COMPONENT SIDE

N - MOLDED INSULATING NYLON BUSHING

MN - "M" - GOLD PLATED SPRINGS WITH GOLD ALLOY CONTACTS ON RING SPRINGS AND SHUNT SPRINGS (WHEN SHUNTS ARE USED)

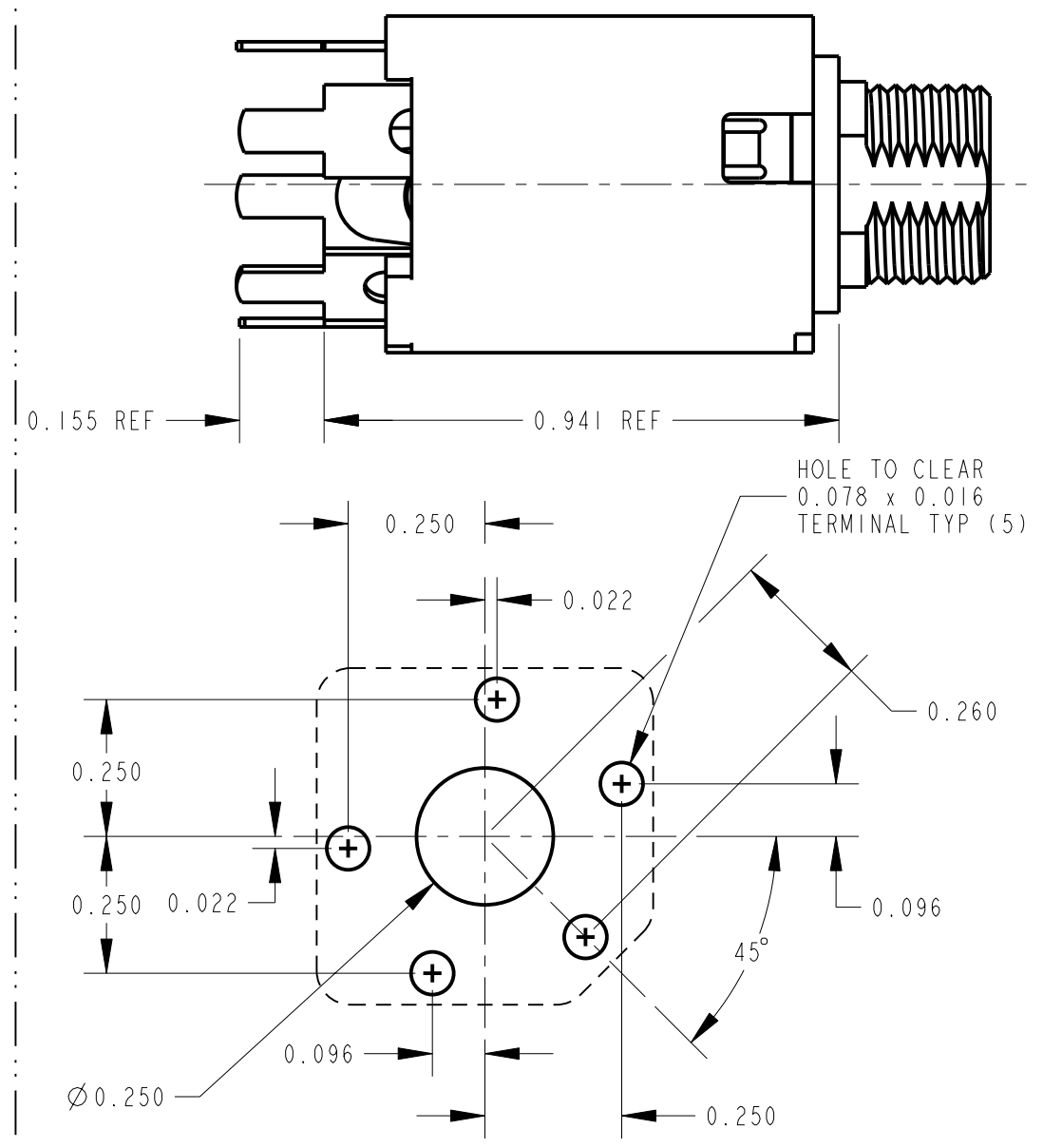
"N" - MOLDED INSULATING NYLON BUSHING

11 X R0HS COMPLIANT

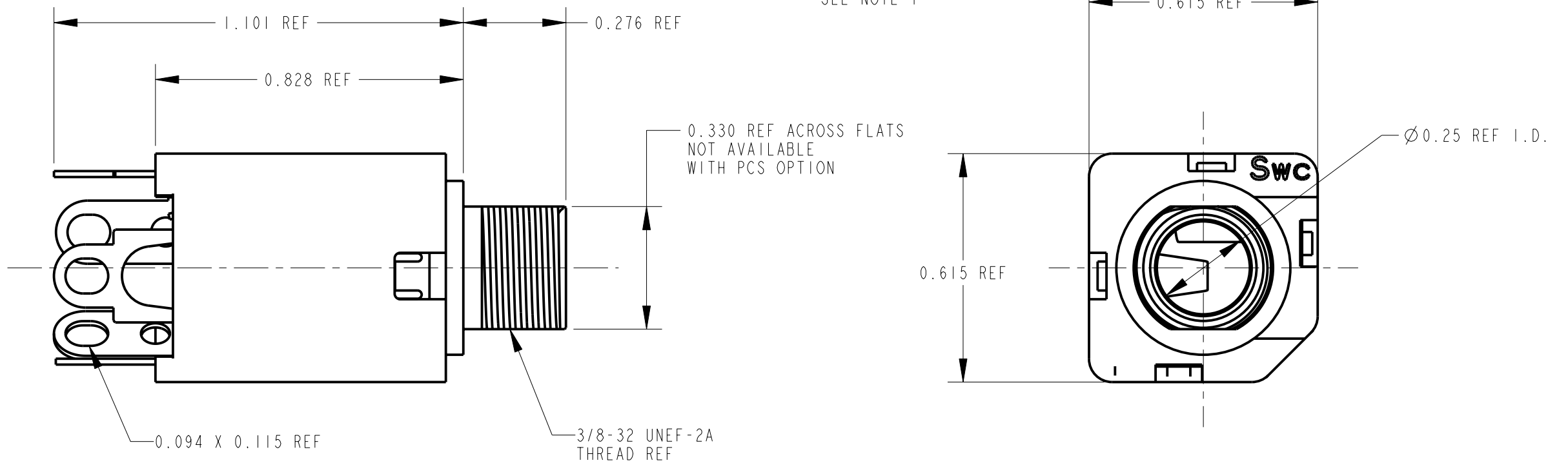
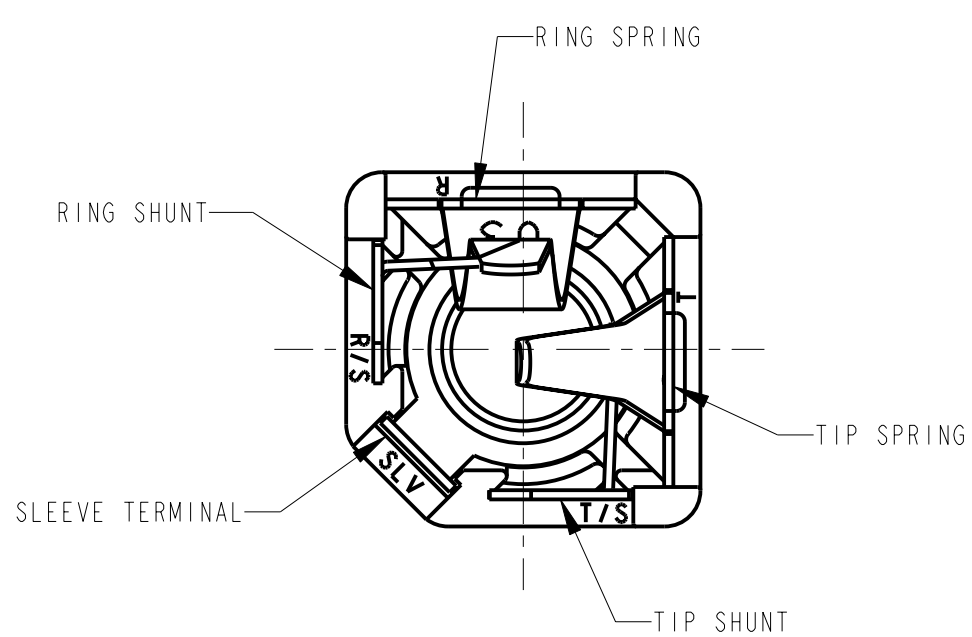
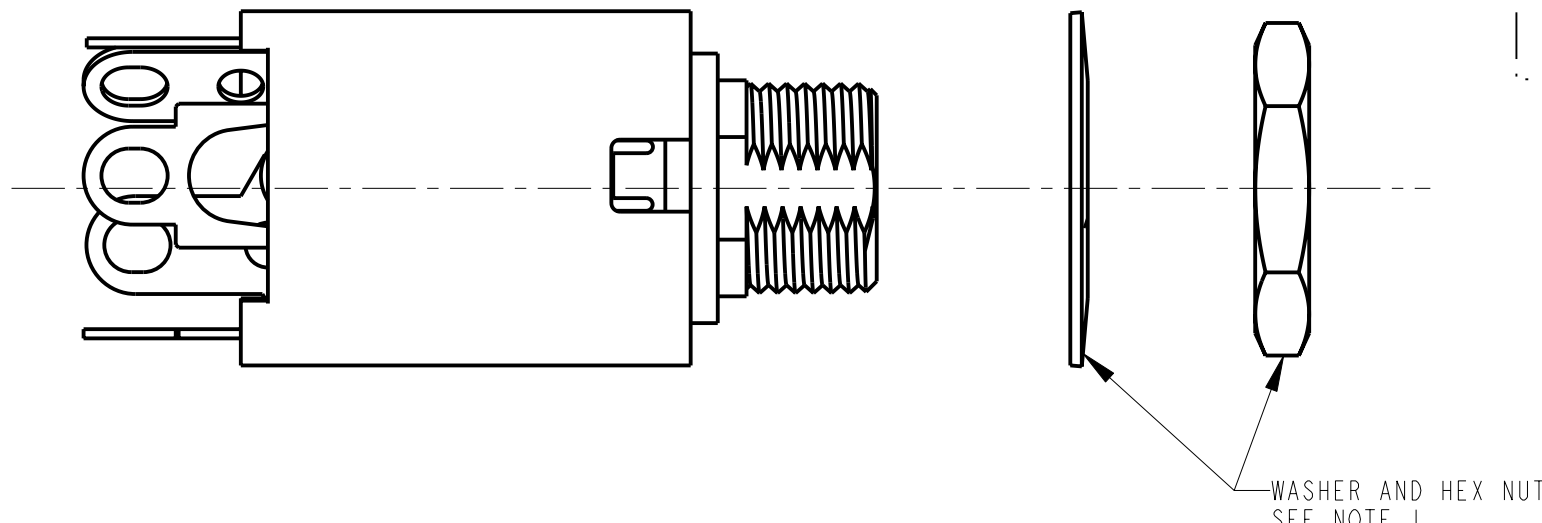
TERMINAL OPTIONS:  
BLANK - SOLDER TERMINAL  
PC - 0.078 WIDE PC TAILS  
PCS - SNAP-IN PC TAILS

CIRCUITRY:

1 - TIP OPEN CIRCUIT	TIP SLEEVE
2A - TIP CLOSED CIRCUIT	TIP SLEEVE
2B - TIP & RING OPEN CIRCUIT	RING TIP SLEEVE
3 - TIP OPEN CIRCUIT AND ISOLATE "MAKE" CIRCUIT	TIP SLEEVE
3B - TIP CLOSED CIRCUIT AND RING OPEN CIRCUIT (I-C TRANSFER)	RING TIP SLEEVE
3D - 1 TIP CLOSED CIRCUIT AND 1 TIP OPEN CIRCUIT	TIP TIP SLEEVE
3E - TIP OPEN CIRCUIT AND ISOLATED "BREAK" CIRCUIT	TIP SLEEVE
3F - TIP OPEN CIRCUIT AND RING CLOSED CIRCUIT	RING TIP SLEEVE
4B - TIP & RING CLOSED CIRCUIT	RING TIP SLEEVE



PC TERMINAL OPTION  
PCB LAYOUT - COMPONENT SIDE



SOLDER TERMINAL OPTION

- NOTES:
- HARDWARE SHIPPED UNASSEMBLED.
  - MAXIMUM PANEL THICKNESS: 0.156
  - MATERIALS:  
HOUSING - POLYESTER GLASS FILLED, BLACK  
BUSHING - THERMOPLASTIC, BLACK WITH BRASS, NICKEL PLATED SLEEVE  
SLEEVE TERMINAL - BRASS, LEAD FREE ELECTRO-TIN PLATED  
SPRINGS - NICKEL SILVER, LEAD FREE ELECTRO-TIN PLATED  
LIFTERS - NYLON (113 & 113E CIRCUIT OPTIONS)  
WASHER - STEEL, NICKEL PLATED  
NUT - BRASS, NICKEL PLATED
  - THIS PRODUCT IS R0HS COMPLIANT.

REV	ECO NUMBER	DATE	BY	APVD
A	26032	3-25-11	TJK	TJK
REVISIONS				

★ STAR SYMBOL DENOTES CRITICAL DIMENSION

UNLESS OTHERWISE SPECIFIED

- ALL DIMENSIONS IN INCHES  
- TWO PLACE DECIMALS ±0.01  
- THREE PLACE DECIMALS ±0.005  
- ANGLES ±1°  
- ALL DIA. CONCENTRIC WITHIN 0.005 T.I.R.
- FEATURES ON THE SAME CENTERLINE MUST BE ALIGNED WITHIN ±0.002
- REMOVE ALL BURRS

DO NOT SCALE DRAWING

CUSTOMER DRAWING

THIS DRAWING DESCRIBES A DESIGN CONSIDERED PROPRIETARY IN NATURE, DEVELOPED AND MANUFACTURED BY SWITCHCRAFT INC. AND IS RELEASED ON A CONFIDENTIAL BASIS FOR IDENTIFICATION PURPOSES ONLY.

SIZE	WIDTH	MULT	LBS/M	TEMPER
FINISH		MATERIAL SPEC No.		
SPEC No.		FIRST USED ON		
DATE DRAWN	BY	CHKD	APVD	SCALE
02-Apr-07	TJK	4-2-07	4-2-07	3:1
NAME #3/8-32 INSULATED BUSHING				PART No. N110X SERIES
Ø 0.25 I.D. HI-D JACK ASS'Y, R0HS				

Switchcraft®

SHEET | OF |