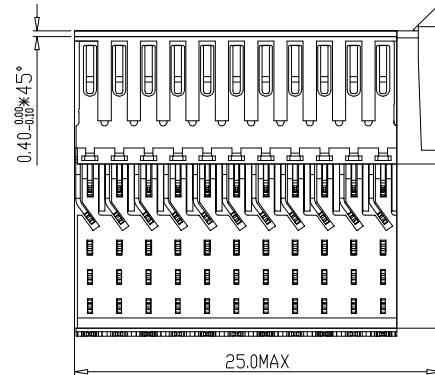
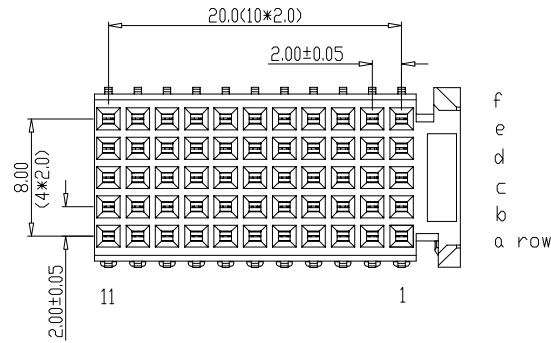
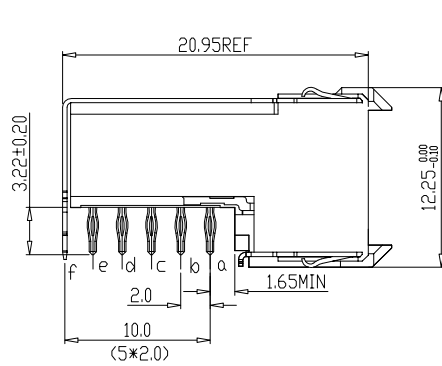
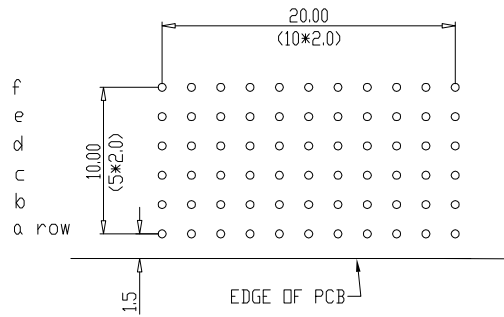




All rights strictly reserved. Reproduction or issue to third parties in any form whatever is not permitted without written authority from the proprietor.
Property of FCI. Copyright FCI.

Tous droits strictement reserves. Reproduction ou communication a des tiers interdite sous quelque forme que ce soit sans autorisation ecrite du proprietaire.
Propriete de c FCI. Droits de reproduction FCI.

LAY-OUT
P.C.B.- HOLE



PERFORMANCE CHARACTERISTICS

CURRENT RATING 1.5A AT 20°C (FULLY LOADED)
1 A AT 70°C (FULLY LOADED)
RATED VOLTAGE : 500 V AC (CONT /CONT)
OPERATING TEMPERATURE : -55°C TO 125°C
CONTACT RESISTANCE 20 MΩ MAX
INSERTION FORCE : 0.75N MAX/CONT
EXTRACTION FORCE : 0.15N MIN/CONT
INSULATION RESISTANCE : 10⁴ MΩ MIN

- NOTES 1:
- LEAD FREE INDICATOR :LF=LEAD FREE
 - PERFORMANCE LEVEL INDICATOR (REF DWG NO.BSC 201844.003)
 - THIS PRODUCT IS CSA APPROVED, THIS PRODUCT IS UL RECOGNIZED.
 - FOR RECOMMENDED PTH DIMENSIONS REFER DRAWING : BS.A.201572.001
 - THIS PRODUCT (LF) MEETS EUROPEAN UNION DIRECTIVES AND OTHER COUNTRY REGULATIONS AS DESCRIBED IN GS-22-008

rev	ecn no	dr	date
A	CONVERSION REVISION 03	KN	14-09-01
B	DG05-0352	Kason	23-09-05
C	DG07-0362	Kason	05-09-07
D	DG10-0110	NZ	05-30-10

Material		Spec ref	
Mat code		✓	tolerance 1DEC ± 0.2 1DEC 2DEC ± 0.1 2DEC ANGLES ± 1° HOEKEN
Heattreat			
Plating/Finish			
Dr	W,Paris	10-01-95	projection
Eng			size A4
Chr			Scale 2.000
Appr			REL Level
Product family		MILLIPACS	
Model Name		ECN	
Model Revision			
title		BSC201444012	
Pro/E file		sheet 1 of 1	
catalog no		HM2R21PA5101----	
Customer Drawing		CUSTOMER DRAWING	
Rev. D		Rev. D	