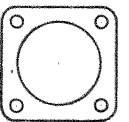
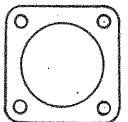
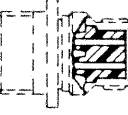
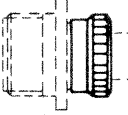
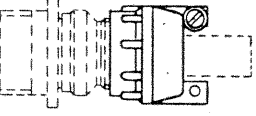


ACCESSORIES

(NOT PART OF STANDARD ASSEMBLY)

 FLANGE GASKET, PLAIN 10-40450- SERIES	 FLANGE GASKET, SHIELDING 10-40450-()S SERIES
 GROMMET 10-40800 SERIES	 GROMMET RETAINING NUT SEE TABLE
 CABLE CLAMP 10-35900-XX3 SERIES	

2

1 9

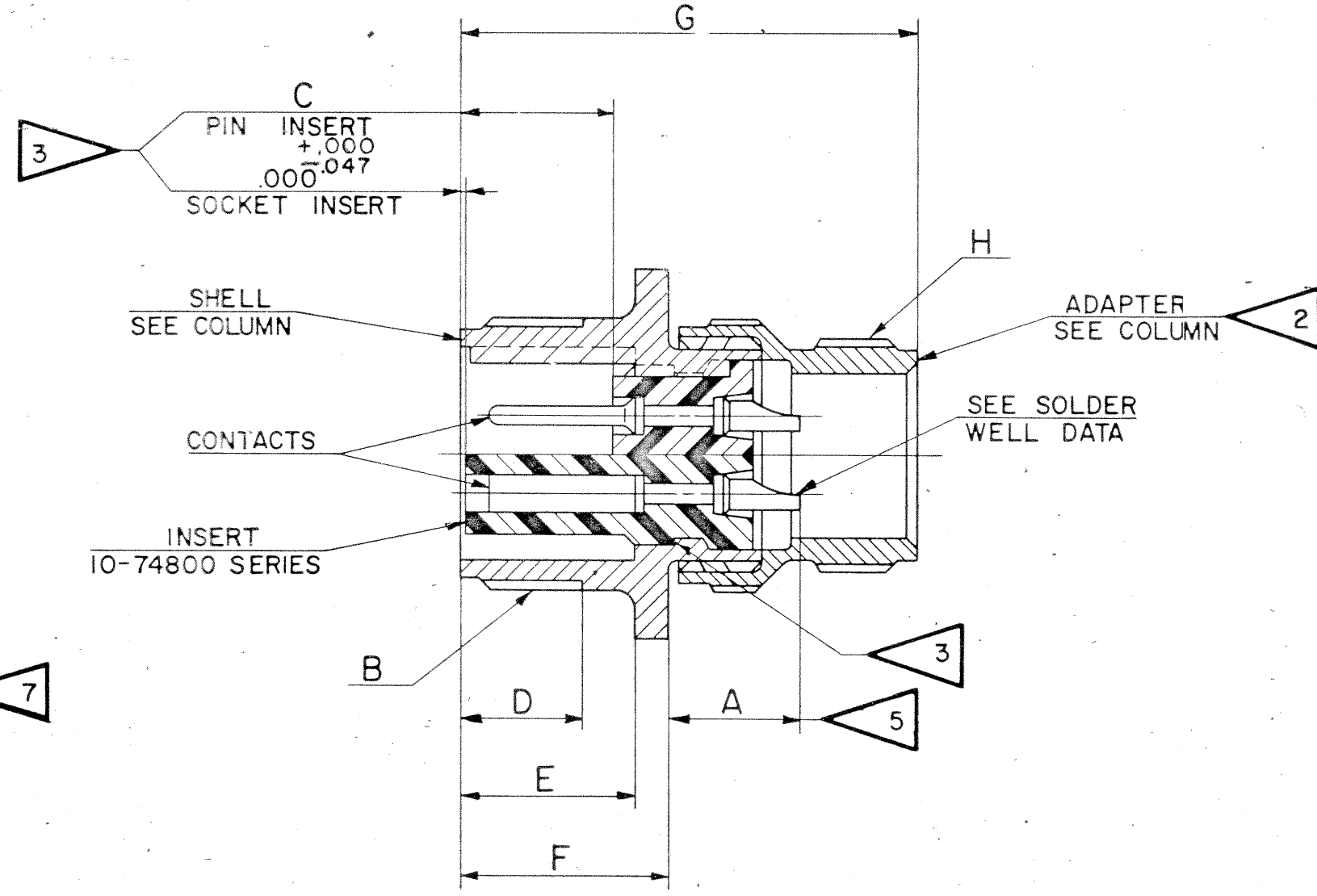
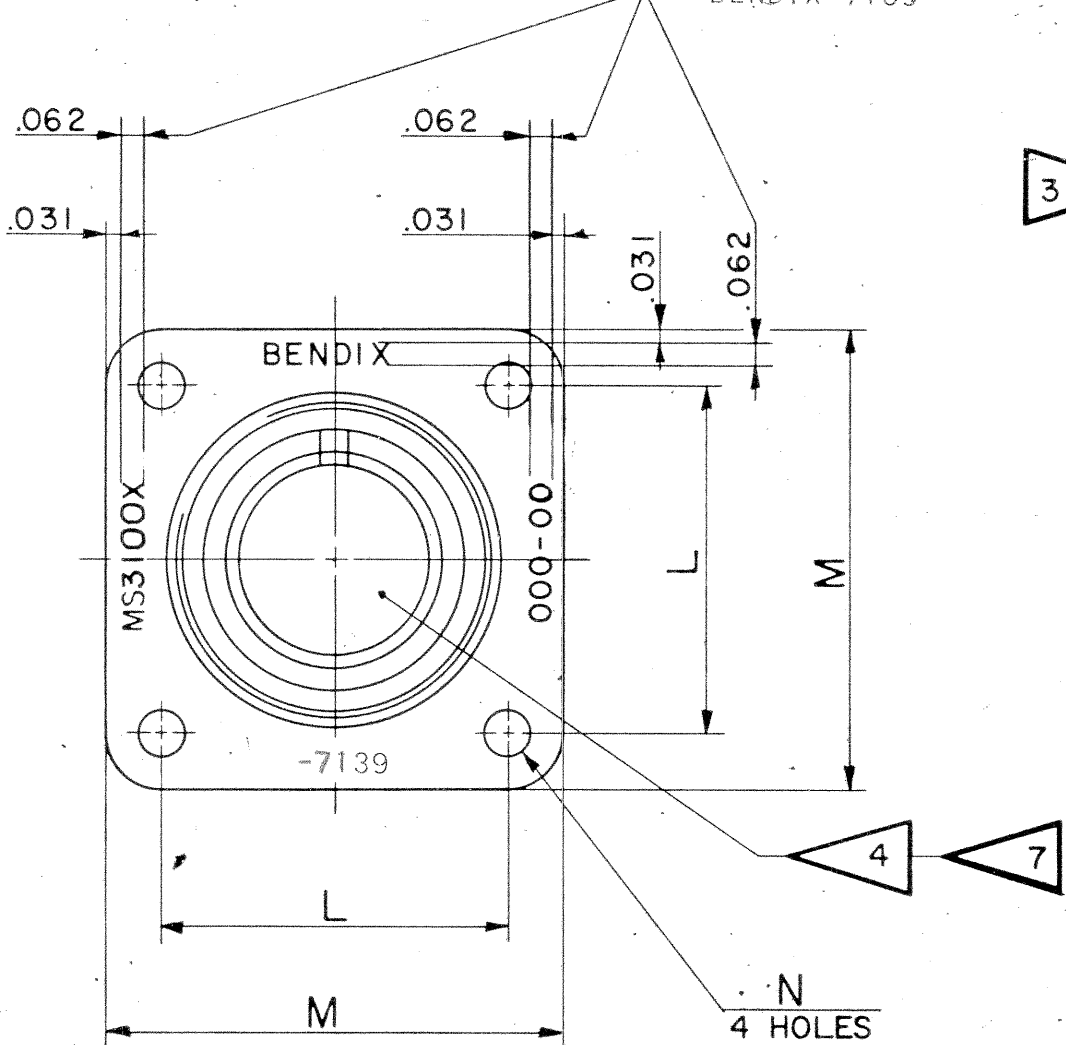
STAMP "BENDIX", DATE CODE (9-3895) &
MS NUMBER PER 9-2811
EXAMPLE:

BENDIX-7139

MS3100A20-12S
MS3100C20-12S

FOR SUFFIX OTHER THAN "P" OR "S",
STAMP PER 9-2437
(SUFFIX OF MS NUMBER ONLY)
EXAMPLE:

MS3100A20-12SX
BENDIX-7139



10-168008 THRU
10-168040

REF	WAG	DATE	D MAN	APPD
1	33780-54	1-20-58	HJDOCK	
2	35826-1	9-2-59	SIEDSMA	
A1	36200-27	2-11-60	AK	
A2	36525-322	3-17-60	LALLI	
A3	42525-43	10-2-63	HILLAR	
A4	51175-1	11-17-69	Randall	
A5	53249-13	1-6-72	Randall	

USE OF THIS DOCUMENT IS UNLIMITED. DOCUMENTS REFERENCED HEREON CONTAIN LIMITED RIGHTS DATA.

CONTACT SIZE	0	4	8	12	16M
WELL DIA	.469 \pm .005 -.003	.332 \pm .005 -.003	.209 \pm .004 -.002	.116 \pm .004 -.002	.078 \pm .004 -.002
WELL DEPTH	.625	.625	.500	.375	.250

MATERIAL SPEC.	PROCESS SPEC. SEE SHEET 2	SCINTILLA MAGNETO DIVISION BENDIX AVIATION CORPORATION SIDNEY, N.Y. U.S.A.				TOLERANCES UNLESS OTHERWISE SPECIFIED: DECIMALS \pm .010	
HEAT TREAT SPEC.	FINISH SPEC.	CONNECTOR, ELECTRICAL RECEPTACLE, TYPE C (-) FW				NEXT ASSEMBLY: SEE PARTS LIST	
TOOL ACC.		D'MAN	CHECKER	MAT.	ST'DS	CH. D'MAN	APPROVED
SUM. NO. 22569-1		4-24-57	5-9-57			5-10-57	5-10-57
		SCALE: NONE				SUPERSEDED BY: 10-168008 THRU 10-168040	
		DWG SIZE C				SHEET 1 OF 2	

SEE SHEET 2.
NOTES: REF SYMBOL \triangle

REF	WA	DATE	D MAN	APPD
32508-157		1-20-58	HUDOCK	
1 33750-64	SEE SHEET 1			
2 35826-1	SEE SHEET 1	9-2-59	SIEDSMA	
A1 36200-27	SEE SHEET 1	2-11-60	Markowski	
A2 34525-322	SEE SHEET 1	3-17-60	LALLI	
A3 42525-43	SEE SHEET 1	10-263	MILLAR	
A4	SEE SHEET 1 FOR ALL CHANGES			
A5				

ASSEMBLY NO.	MS NO.	DIMENSIONS											DETAILS		ACCESSORY
		A +.050 -.060	B THREAD (PLATED) CLASS 2A	C ±.031	D MIN FULL THD	E +.010 -.000	F +.020 -.010	G ±.030	H THREAD (PLATED) CLASS 2A	L ±.005	M	N DIA +.004 -.002	SHELL	ADAPTER	GROMMET RETAINING NUT
10-168008 -	3100 8S -	.422	.5000-28UNEF	.484	.391	.562	.672	1.391	.5000-28UNEF	.594	.875	.120	10-37260-8	10-37267-8	10-37269-8
10-168010 -	10S -		.6250-24NEF			.563		1.468	.5000-28UNEF	.719	1.000		-10	-10	-10
10-168011 -	10SL -		.6250-24NEF			.562			.6250-24NEF	.719	1.000		-11	-12	-12
10-168012 -	12S -	↓	.7500-20UNEF	↓	.450	.563	↓	↓		.812	1.094		-12	-12	-12
10-168013 -	12 -	.672	.7500-20UNEF	.672	.625	.750	.860	1.843		.812	1.094		-13	-13	-13
10-168014 -	14S -	.422	.8750-20UNEF	.484	.450	.562	.672	1.468	.7500-20UNEF	.906	1.188		-14	-14	-14
10-168015 -	14 -	.672	.8750-20UNEF	.672	.625	.750	.860	1.843	.7500-20UNEF	.906	1.188		-15	-15	-15
10-168016 -	16S -	.422	1.0000-20UNEF	.484	.450	.562	.672	1.468	.8750-20UNEF	.969	1.281		-16	-16	-16
10-168017 -	16 -	.672	1.0000-20UNEF	.672	.625	.750	.860	1.843	.8750-20UNEF	.969	1.281		-17	-17	-17
10-168018 -	18 -	.641	1.1250-18NEF				.891	1.938	1.0000-20UNEF	1.063	1.375		-18	-18	-18
10-168020 -	20 -		1.2500-18NEF					1.844	1.1875-18NEF	1.156	1.500		-20	-20	-20
10-168022 -	22 -	↓	1.3750-18NEF					1.938	1.1875-18NEF	1.250	1.625	↓	-22	-22	-22
10-168024 -	24 -	.578	1.5000-18NEF			.813	.953	1.969	1.4375-18NEF	1.375	1.750	.147	-24	-24	-24
10-168028 -	28 -	.578	1.7500-18NS			.812	.953	2.188	1.4375-18NEF	1.562	2.000	.147	-28	-28	-28
10-168032 -	32 -	.500	2.0000-18NS			.875	1.032	2.157	1.7500-18NS	1.750	2.250	.173	-32	-32	-32
10-168036 -	36 -		2.2500-16UN				1.031	2.219	2.0000-18NS	1.938	2.500		-36	-36	-36
10-168040 -	40 -	↓	2.5000-16UN	↓	↓	↓	1.031	2.188	2.2500-16UN	2.188	2.750	↓	-40	-40	-40



10-168008 THRU
10-168040

1. THE UNITS ILLUSTRATED MEET THE REQUIREMENTS OF MS3100A & MS3100C, PER SPEC MIL-C-5105D.
2. ADAPTER MUST BE REMOVED WHEN GROMMET RETAINING NUT IS USED.
3. DIMENSIONS MUST BE MAINTAINED WHEN INSERTS ARE PRESSED FIRMLY AGAINST INDICATED SHOULDER.
4. FOR CONTACT SIZE, SPACING & SERVICE RATING, SEE DRAWINGS MS33680 THRU MS33690.
5. INCREASE A DIMENSION BY .312 FOR SIZE "0" CONTACT ONLY.
6. TO COMPLETE ASSEMBLY NUMBER & MS NUMBER, ADD APPLICABLE INSERT ARRANGEMENT SUFFIX TO BASE NUMBERS LISTED ABOVE. (FOR ALTERNATE ARRANGEMENTS, REFER TO 9-2437). TO DETERMINE DESIRED INSERT ARRANGEMENT, SEE PARTS LISTS 10-168008 THRU 10-168040.
7. ALL 10- & 61- ASSEMBLIES TO BE ASSEMBLED TO 9-3103-1 AND TESTED TO 9-3106-5, INSERTS AND CONTACTS ARE REMOVABLE. ALL 62- ASSEMBLIES TO BE ASSEMBLED TO 9-3238-1 AND TESTED 9-3106-4, INSERTS AND CONTACTS ARE NOT REMOVABLE.
8. SEE DRAWINGS 10-168608 THRU 10-168640 & 10-168808 THRU 10-168840 FOR REQUIRED MATING PLUG ASSEMBLIES.
9. SEE WORK ORDER FOR PERMISSIBLE ADDITIONAL OR ALTERNATE STAMPING.
10. FOR PART NUMBERS 10-168017-13, 10-168018-15, 61- & 62-, SEE INDIVIDUAL DRAWINGS 10-168017-13, 10-168018-15, 61-00000 & 62-00000.

NOTES: REF SYMBOL ◁

MATERIAL SPEC		PROCESS SPEC TEST 9-3106-5 9-3106-4 ASSY 9-3103-1 9-3238-1 SEE NOTE 7 9-2811 9-2437 9-3895		SCINTILLA MAGNETO DIVISION BENDIX AVIATION CORPORATION SIDNEY N.Y. U.S.A.				TOLERANCES UNLESS OTHERWISE SPECIFIED DECIMALS ±.010			
DATE PREP SPEC		NAME		CONNECTOR, ELECTRICAL RECEPTACLE, TYPE C () FW				NEXT ASSEMBLY		WEIGHT LBS SEE PARTS LIST	
TOOL A&L		D' MAN		CHECKER	MAT.	ST'DS	CH D' MAN	APPROVED	SCALE	SUPERSEDES AND IS NOT INTERCHANGEABLE SUPERSEDED BY	
COM REC 2569-1		RINES		BALMATIC					NONE	10-168008 THRU 10-168040	
		4-25-57		5-9-57						10-168008/40	
										DWG SIZE C	
										TAB. SHEET 2 OF 2 CODE 77820	