



SlimSeal | SlimSeal Miniature Connectors

TE Internal #: 1-2834075-3

Ballast Connectors, Connector, Crimp, Wire-to-Wire, 3 Position, 2.5 mm Centerline, Sealable, Wire & Cable, SlimSeal Miniature Connectors

[View on TE.com >](#)

Connectors > Lighting Connectors > Ballast Connectors > SlimSeal Miniature Receptacles



Lighting Product Type: **Connector**

Termination Method to Wire & Cable: **Crimp**

Connector System: **Wire-to-Wire**

Number of Positions: **3**

Centerline (Pitch): **2.5 mm**

[All SlimSeal Miniature Receptacles \(6\)](#)

Features

Product Type Features

Lighting Product Type	Connector
Connector System	Wire-to-Wire
Sealable	Yes
Connector & Contact Terminates To	Wire & Cable

Configuration Features

Number of Rows	1
Number of Positions	3

Electrical Characteristics

Operating Voltage (Max)	400 VAC
-------------------------	---------

Contact Features

Contact Current Rating (Max)	5 A
------------------------------	-----

Termination Features

Termination Method to Wire & Cable	Crimp
------------------------------------	-------

Mechanical Attachment

Mating Alignment	With
------------------	------

Housing Features

Centerline (Pitch)	2.5 mm
--------------------	--------

Dimensions

Wire Size	18 – 22 AWG
-----------	-------------

Usage Conditions

Operating Temperature Range	-40 – 105 °C[-40 – 221 °F]
-----------------------------	----------------------------

Industry Standards

Approved Standards	UL 1977
--------------------	---------

UL Flammability Rating	UL 94V-0
------------------------	----------

Product Compliance

[For compliance documentation, visit the product page on TE.com>](#)

EU RoHS Directive 2011/65/EU	Compliant
------------------------------	-----------

EU ELV Directive 2000/53/EC	Compliant
-----------------------------	-----------

China RoHS 2 Directive MIIT Order No 32, 2016	No Restricted Materials Above Threshold
---	---

EU REACH Regulation (EC) No. 1907/2006	Current ECHA Candidate List: JUNE 2023 (235) Candidate List Declared Against: JUNE 2023 (235) Does not contain REACH SVHC
--	---

Halogen Content	Not Low Halogen - contains Br or Cl > 900 ppm.
-----------------	--

Solder Process Capability	Not applicable for solder process capability
---------------------------	--

Product Compliance Disclaimer

This information is provided based on reasonable inquiry of our suppliers and represents our current actual knowledge based on the information they provided. This information is subject to change. The part numbers that TE has identified as EU RoHS compliant have a maximum concentration of 0.1% by weight in homogenous materials for lead, hexavalent chromium, mercury, PBB, PBDE, DBP, BBP, DEHP, DIBP, and 0.01% for cadmium, or qualify for an exemption to these limits as defined in the Annexes of Directive 2011/65/EU (RoHS2). Finished electrical and electronic equipment products will be CE marked as required by Directive 2011/65/EU. Components may not be CE marked. Additionally, the part numbers that TE has identified as EU ELV compliant have a maximum concentration of 0.1% by weight in homogenous materials for lead, hexavalent chromium, and mercury, and 0.01% for cadmium, or qualify for an exemption to these limits as defined in the Annexes of Directive 2000/53/EC (ELV). Regarding the REACH Regulation, the information TE provides on SVHC in articles for this part number is based on the latest European Chemicals Agency (ECHA) 'Guidance on requirements for substances in articles' posted at this URL: <https://echa.europa.eu/guidance-documents/guidance-on-reach>

Compatible Parts



TE Part # 1-2834074-3
3P PLUG, MINIATURE WATERPROOF CONN, WHITE



TE Part # 1-2834068-2
PIN CONTACT, MINIATURE WATERPROOF CONN



TE Part # 2-2834068-2
PIN CONTACT, MINIATURE WATERPROOF CONN



TE Part # 2-2834068-3
PIN CONTACT, MINIATURE WATERPROOF CONN

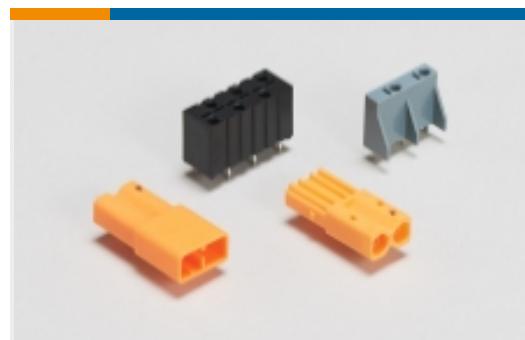


TE Part # 1-2834068-3
PIN CONTACT, MINIATURE WATERPROOF CONN



TE Part # 2834269-1
PROTECTION COVER, MINIATURE CONN, REC

Also in the Series | SlimSeal Miniature Connectors



Ballast Connectors(40)

Customers Also Bought



TE Part #2-2834074-3
SlimSeal Miniature Plugs



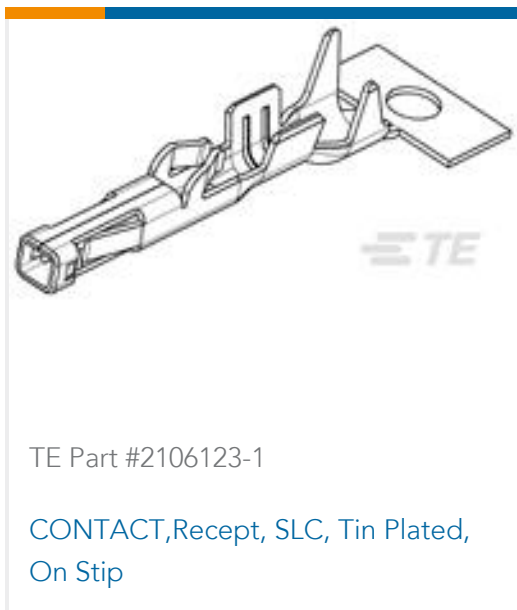
TE Part #1-2834075-2
SlimSeal Miniature Receptacles



TE Part #1-2834236-1
3P REC, IP67 R/A SMT CONN, NATURE



TE Part #2-2834068-2
PIN CONTACT, MINIATURE WATERPROOF CONN



Documents

Product Drawings

[3P REC, MINIATURE WATERPROOF CONN.WHITE](#)

English

CAD Files

[3D PDF](#)

3D

Customer View Model

[ENG_CVM_CVM_1-2834075-3_B.2d_dxf.zip](#)

English

Customer View Model

[ENG_CVM_CVM_1-2834075-3_B.3d_igs.zip](#)

English

Customer View Model

[ENG_CVM_CVM_1-2834075-3_B.3d_stp.zip](#)

English

By downloading the CAD file I accept and agree to the [Terms and Conditions](#) of use.

Datasheets & Catalog Pages

[SlimSeal Connector Miniature Series](#)

English

[SlimSeal Connector Miniature Series](#)

[SlimSeal MiniSeal connector flyer \(Chinese\)](#)

Product Specifications

[Application Specification](#)

English

Instruction Sheets

[Instruction Sheet \(non U.S.\)](#)

English

Agency Approvals

[UL Report](#)

English

1-2834075-3

Ballast Connectors, Connector, Crimp, Wire-to-Wire, 3 Position, 2.5 mm Centerline,
Sealable, Wire & Cable, SlimSeal Miniature Connectors

