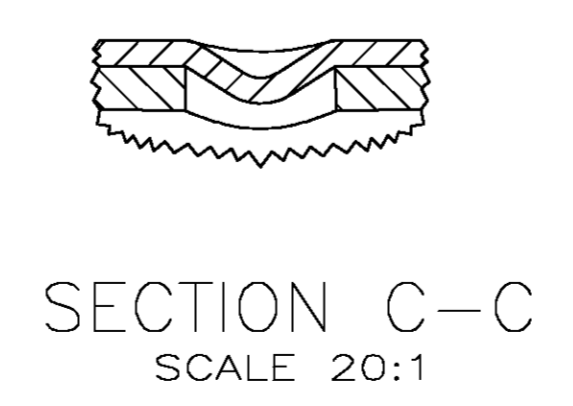
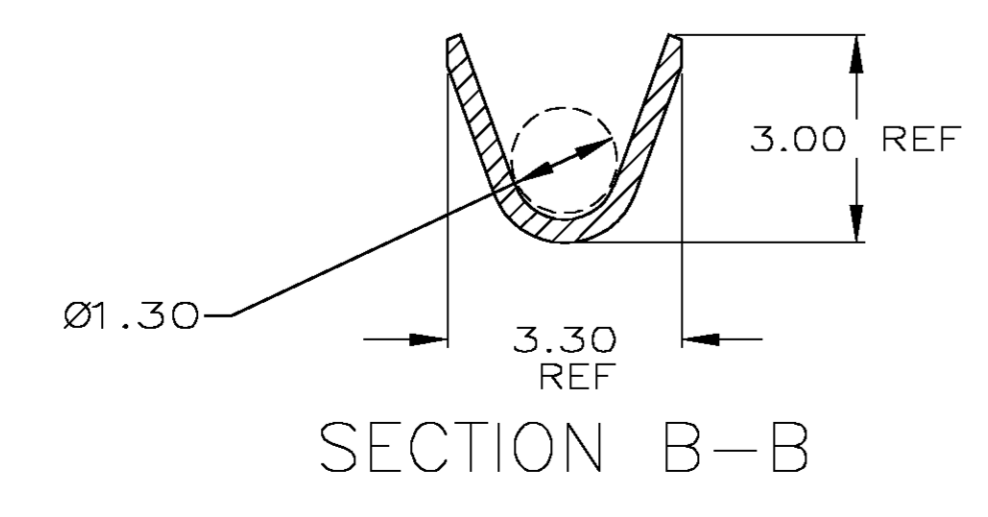
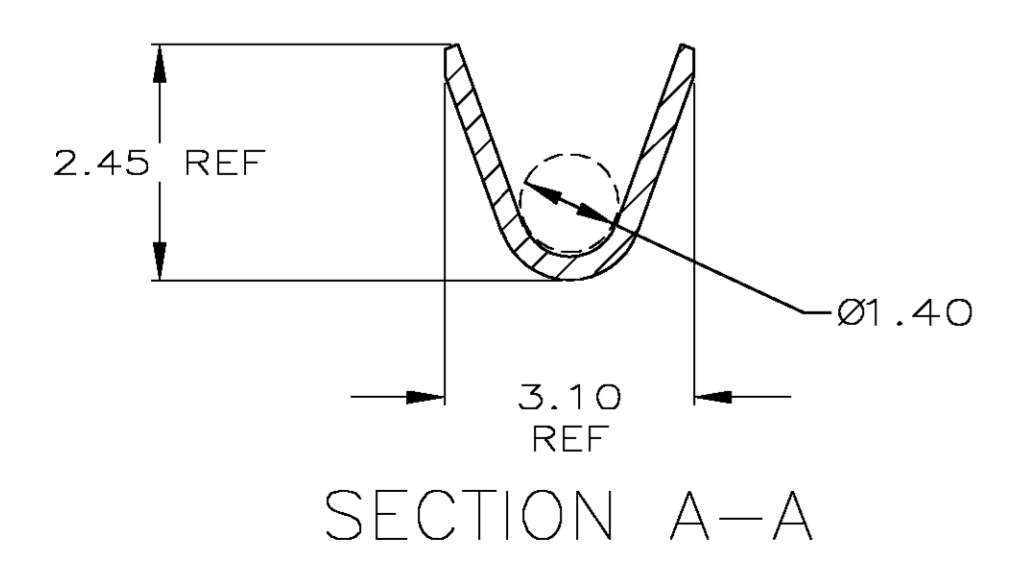
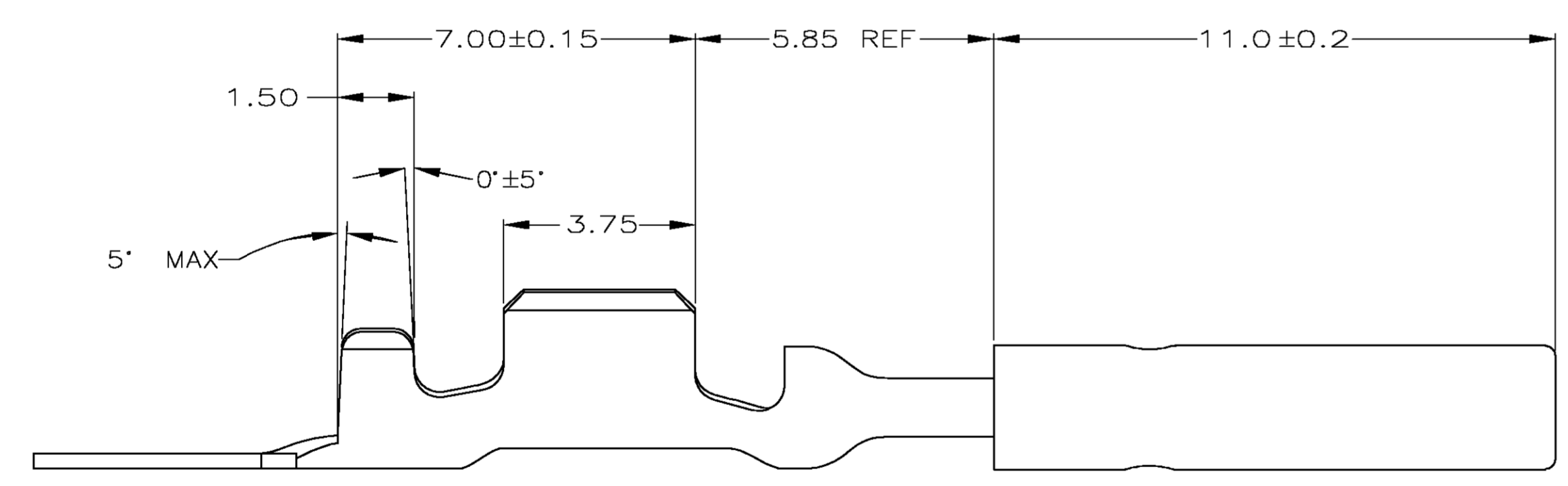
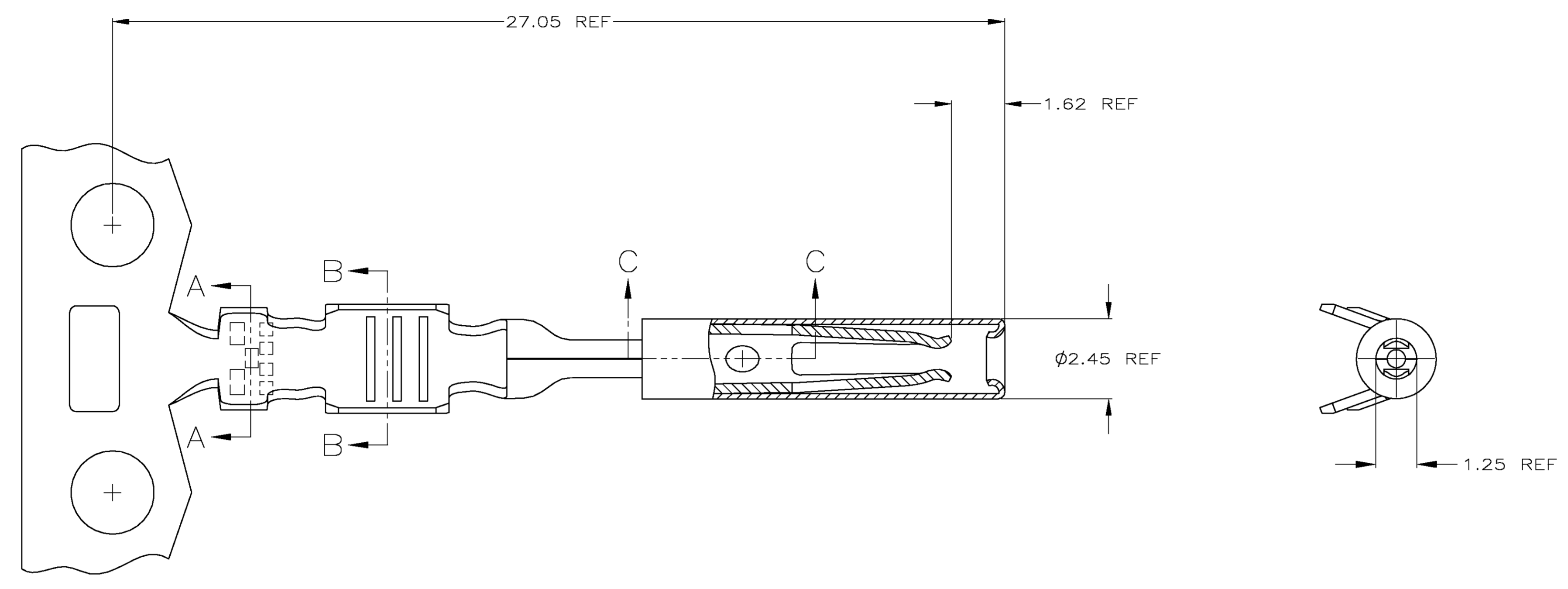


LOC		DIST		REVISIONS			
P	REV	PER	DESCRIPTION	DATE	BY	APP'D	
D1	REV	PER	OK40-0406-03	19JUN03	AH	JT	

- 1. NICKEL UNDER PLATE, GOLD PLATED CONTACT AREA WITH TIN PLATING IN WIRE BARREL.
- 2. REELING DIRECTION FOR 776235-1 IS PER AMP 107-3, FIG.2
- 3. REELING DIRECTION FOR 776235-4 IS PER AMP 107-3, FIG.4



567680	776235-4
-	776235-1
APPLICATOR NUMBER	PART NUMBER

THIS DRAWING IS A CONTROLLED DOCUMENT.		DWG P. COLLINS 1-26-98	 Tyco Electronics Corporation Harrisburg, PA 17105-3608
DIMENSIONS:		CHK D. STILLIE 1-26-98	
TOLERANCES UNLESS OTHERWISE SPECIFIED:		APPROD D. SHIELDS 1-26-98	NAME
MM		PRODUCT SPEC	CONNECTOR ASSEMBLY-WIRE
0 PLC ± -		APPLICATION SPEC	
1 PLC ± 0.3		114-6071	
2 PLC ± 0.10		SIZE	A1
3 PLC ± 0.013		CAGE CODE	00779
4 PLC ± -		DRAWING NO	776235
ANGLES ± 0°30'		RESTRICTED TO	-
MATERIAL		WEIGHT	
SLEEVE: CU		SCALE	10:1
CONTACT: CU ALLOY		SHEET	1 OF 1
FINISH		REV	D1
CUSTOMER DRAWING			