

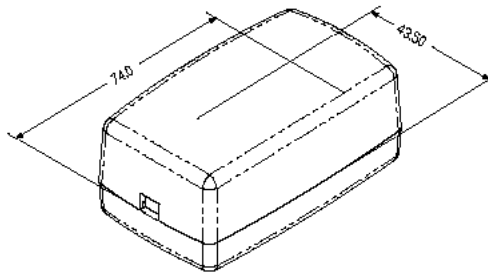
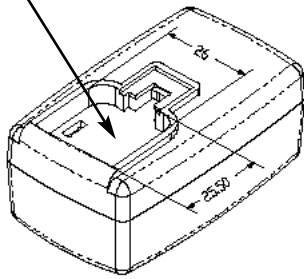
PROPRIETARY INFORMATION:

PROPRIETARY OF GLOBTEK, INC. ANY REPRODUCTION, DISCLOSURE OR USE OF THIS DRAWING, IN WHOLE OR IN PART, IS HEREBY PROHIBITED EXCEPT AS SPECIFIED IN WRITING BY GLOBTEK, INC.

REVISION			
REV	DESCRIPTION	DATE	APPROVED
A	INITIAL RELEASE, RFS. 25783, EM	01/15/15	HM
B	UPDATE EGG CRATE PACKING: QTY 80 pcs TO 42 pcs, CHANGE CARTON DIMENSIONS FROM 345*361*397 mm TO 442*330*276 mm , RFS. 25797,EM	01/28/15	HM
C	REVISE DRAWING TO SINGLE PIECE CONSTRUCTION, RFS.26898, NF	09/08/17	MK



STANDARD OPTION SHIPS WITHOUT AC PINS INSTALLED



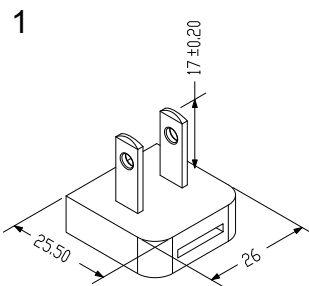
1. MATERIAL

HIGH IMPACT PLASTIC, 94V0 POLYCARBONATE, NON-VENTED, COLOR BLACK

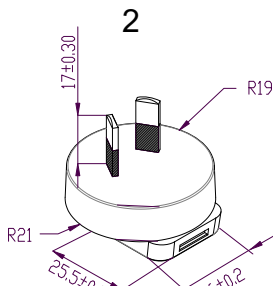
2. INPUT CONNECTOR

1. CLASS II MODEL NEMA 1-15P AC POWER PLUG WITH 2 PRONGS, Q-NA(R)
2. AUSTRALIAN AS 3112 CONFIGURATION: SAA 2 PINS CLASS II, Q-SAA(R)
3. UK BS 1363 CONFIGURATION: UK 2 PINS CLASS II, Q-UK(R)
4. EUROPEAN CEE 7/16 CONFIGURATION: EUROPLUG 2 PINS, CLASS II, Q-EU(R)
5. KOREAN KS C8305 CONFIGURATION: Q-KR(R)
6. ARGENTINA IRAM 2073 CONFIGURATION: Q-AR(R)
7. CHINA GR 2099 CONFIGURATION: Q-CN(R)
8. INDIA CONFIGURATION: 2 PINS, CLASS II, Q-IN(R)
9. BRAZIL CONFIGURATION: NBR6147, BRAZIL, 2 PINS, CLASS II

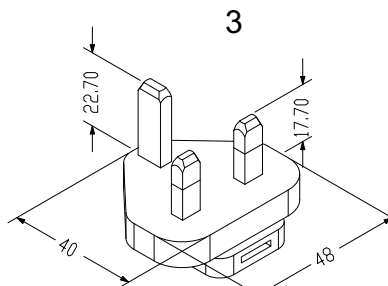
RELEASED
By N.Frost at 9:19 am, Sep 13, 2017



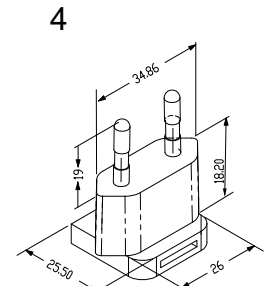
P/N: Q-NA(R)
**NORTH AMERICA
JAPAN**



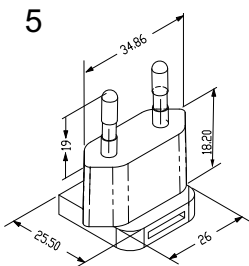
P/N: Q-SAA(R)
AUSTRALIA



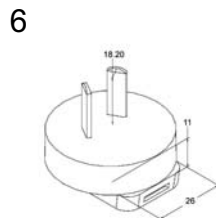
P/N: Q-UK(R)
**UNITED KINGDOM
HONG KONG
SINGAPORE**



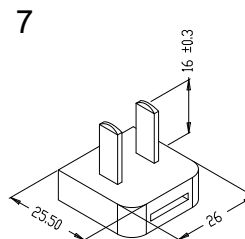
P/N: Q-EU(R)
**EUROPE
SOUTH AMERICA**



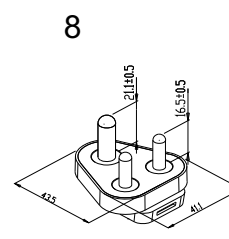
P/N: Q-KR(R)
KOREA



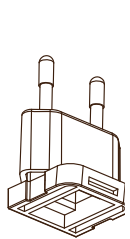
P/N: Q-AR(R)
ARGENTINA



P/N: Q-CN(R)
CHINA



P/N: Q-IN(R)
**INDIA
SOUTH AFRICA**



P/N: Q-BR(R)
BRAZILIA

Foot Note:
Globtek Inc. will not be liable for the safety and performance of these power supplies if unauthorized access and repair occurs. End user should consult applicable UL, CSA or EN standards for proper installation instructions

Limitation of Use:
Globtek product are not authorized for use as mission critical components in life support, hazardous environment, nuclear or aircraft applications without prior written approval from the CEO of Globtek Inc.

DASH NO.	PART NO	REV.	DESCRIPTION	NOTES
TABULATION BLOCK				
INIT.BY: EM		DATE: 01/19/12	GlobTek, Inc. 186 Veterans Dr. Northvale, NJ 07647 Tel. 201-784-1000 Fax 201.784.0111 www.globtek.com	
DRAWN: NF		DATE: 01/19/12		
APRVD : HM		DATE: 01/19/12	DWG TITLE: Q-KIT-9 INTERCHANGEABLE INPUT BLADES MODEL NO: N/A PART NO: Q-KIT-9(R)	
		SCALE: NONE	SHEET 1 OF 2	

TOLERANCES:
DECIMALS ANGULAR
.xx +/- 0.1 +/- 1'
.xxx +/- .005

MILLIMETERS ANGULAR
.xx +/- 0.3 +/- 1'
.xxx +/- .013

FSCN No.: G, N
SIZE A

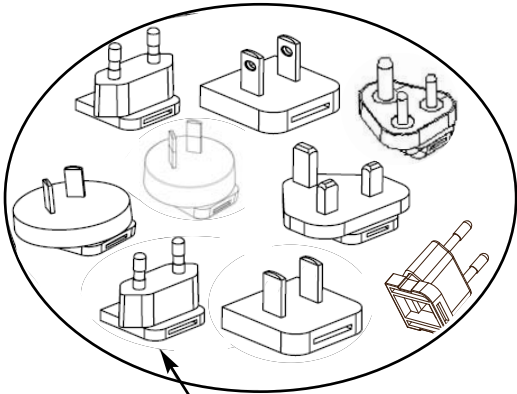
PROPRIETARY INFORMATION:

PROPRIETARY OF GLOBTEK, INC. ANY REPRODUCTION, DISCLOSURE OR USE OF THIS DRAWING, IN WHOLE OR IN PART, IS HEREBY PROHIBITED EXCEPT AS SPECIFIED IN WRITING BY GLOBTEK, INC.

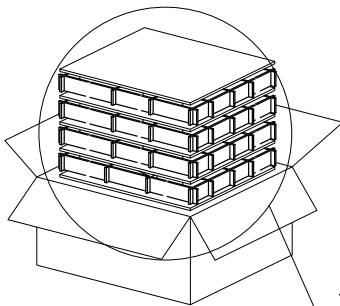
3. PACKING

KIT INCLUDING:

Q-NA(R), Q-SAA(R), Q-UK(R), Q-EU(R), Q-KR(R), Q-AR(R), Q-CN(R), Q-IN(R)
 1 PIECE EACH: Q-KIT-8(R)

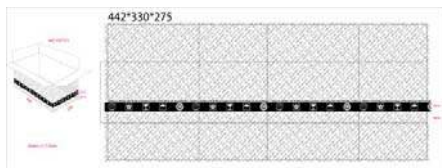


PE BAG(SIZE:200X150mm)

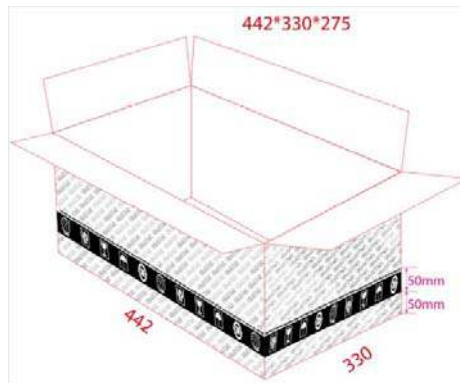


48 PCS/CARTON
 3(L)x4(W)x4(H)

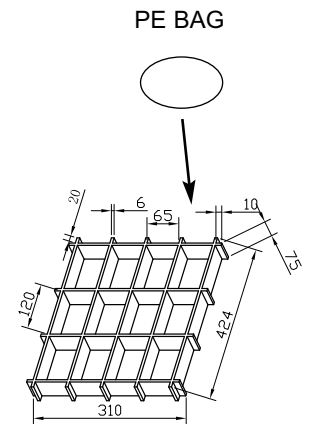
1000x900防潮PE袋
 (Moisture-proof bags of PE)



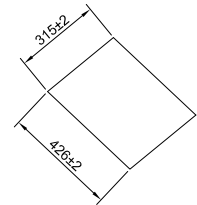
THIS DWG CAN BE USED FOR THE MODEL WHOSE PACKING IS SAME AS THIS



OUTSIDE CARTON 外箱
 $442^{+10}_0 * 330^{+10}_0 * 275^{+10}_0$



PE BAG



PARTITION 隔板



PE BAG
 200*150

GlobTek, Inc.
 www.globtek.com

186 Veterans Dr. Northvale, NJ 07647
 Tel. 201-784-1000 Fax 201.784.0111

DWG TITLE: Q-KIT-9 INTERCHANGEABLE INPUT BLADES

MODEL NO: N/A

REV.
 C

PART NO: Q-KIT-9(R)

SHEET 2 OF 2