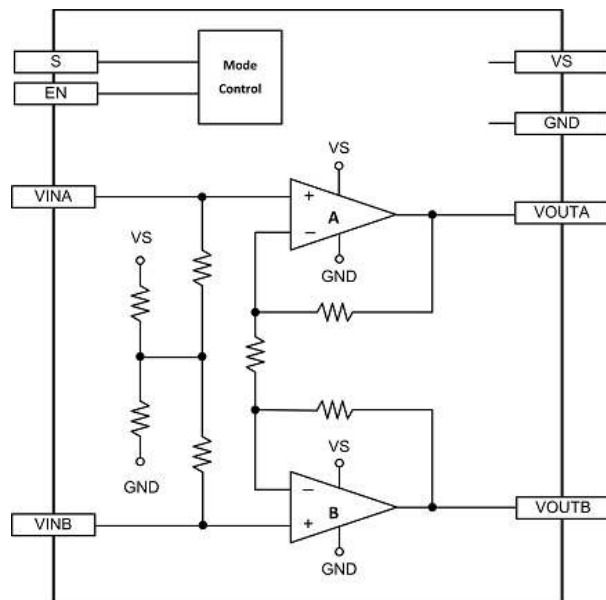


Le87411

PLC Single Channel Class AB Line Driver with 100mA Current Driver Output

The Le87411 is a single channel differential amplifier designed to work in Home Plug Alliance HPAV2 systems with very low power dissipation. The Le87411 contains a pair of wideband amplifiers designed with Microsemi's HV15 Bipolar SOI process for low power consumption. The line driver gain is fixed internally. The amplifiers are powered from a single supply. The device can be programmed to one of three preset bias levels or to impedance controlled Disable or Standby states. The control pins respond to input levels that can be generated with a standard tri-state GPIO.

Simplified Block Diagram



Features & Benefits

- Small 16-pin, 4x4 mm QFN Package
- Very low Power Operation
 - Class AB Operation
- Five programmable states
- No external gain resistors required
- RoHS compliant