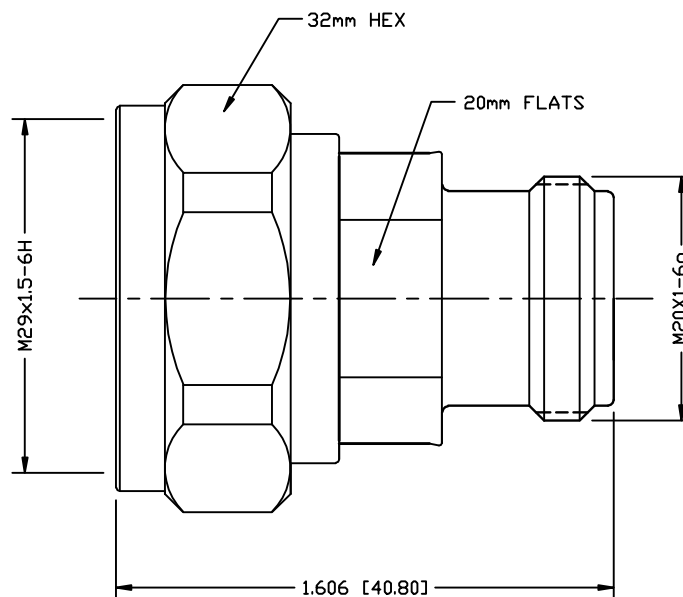


PART NO.

RFD-1684-4

REV	DESCRIPTION	DWN	DATE	APPROVED
B	UPDATED HEX NUT DIM	CZS	03/18/18	JDMc

**SPECIFICATIONS:**

IMPEDANCE: 50 Ohms

FREQUENCY RANGE: 0–7.5 GHz

MAX. PIM: –160dBc MAX. (1900 MHz)

VSWR: 0 TO 2.5 GHz <1.07:1

VSWR: 2.5 TO 7.5 GHz <1.15:1

INSERTION LOSS: 0.05 dB MAX. @ 3.0 GHz

INSULATION RESISTANCE: 5K MOhms

WORKING VOLTAGE: 1200 vrms MAX.

MATING CYCLES: 500

TEMPERATURE RANGE: –55°C TO 85°C

RoHS COMPLIANT

5	SHELL	1	BRASS	WHITE BRONZE
4	O-RING	1	RUBBER	----
3	CONTACT	1	PHOS. BRONZE	SILVER
2	INSULATOR	1	PTFE	----
1	BODY	1	BRASS	WHITE BRONZE
#	DESCRIPTION	QTY	MATERIAL	FINISH

CUSTOMER
OUTLINE DRAWINGALL DIMENSIONS
ARE REFERENCE ONLYUNLESS OTHERWISE SPECIFIED:
DIMENSIONS ARE IN INCHES
AND [MILLIMETERS]

DRAWN

JDM

7/2/18

CHECKED

ORJ DRAWN

C. ZUNIGA

03/14/14

PROPRIETARY AND CONFIDENTIAL

THIS DRAWING CONTAINS
INFORMATION PROPRIETARY TO
RF INDUSTRIES. ANY
UNAUTHORIZED USE OF THIS
DRAWING IS EXPRESSLY
PROHIBITED WITHOUT WRITTEN
PERMISSION FROM RF
INDUSTRIES. ANY VIOLATION IS
PUNISHABLE UNDER U.S.
COPYRIGHT LAWS.**RFconnectors**7610 MIRAMAR RD.
SAN DIEGO, CA 92126
(858) 549-6340
DIVISION OF RF INDUSTRIES, LTD. (858) 549-6345 FAX**7/16 DIN PLUG TO
4.1-9.5 JACK ADAPTER**

SIZE

A

CABLE GROUP

N/A

DWG NO.

RFD-1684-4

REV

B

SCALE:

NTS

ENGINEERING ID:

001787

SHEET 1 OF 1