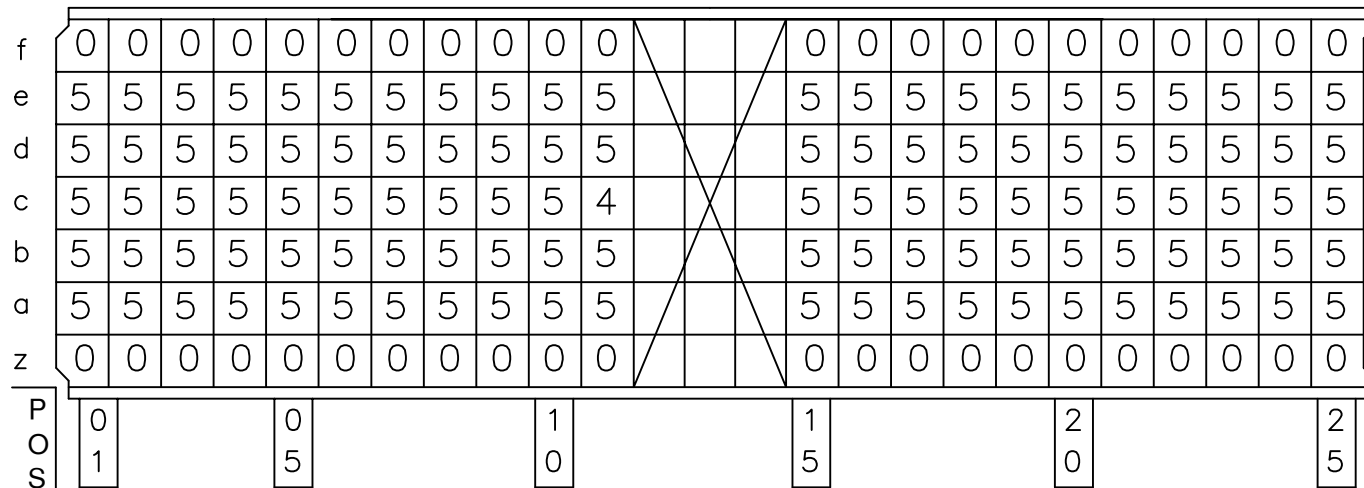
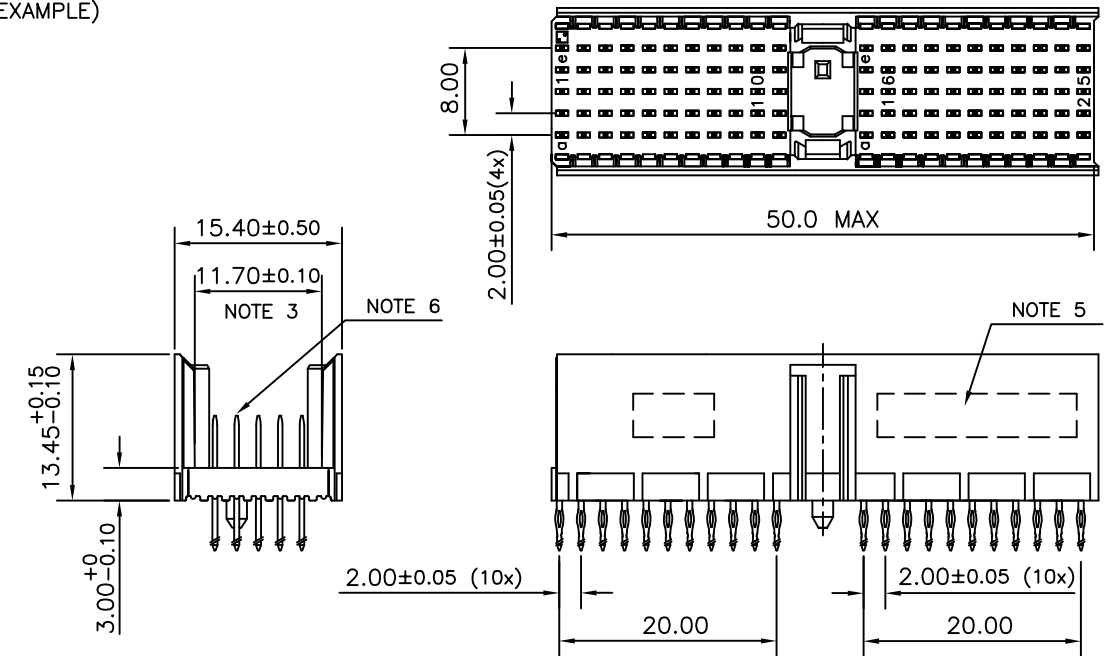


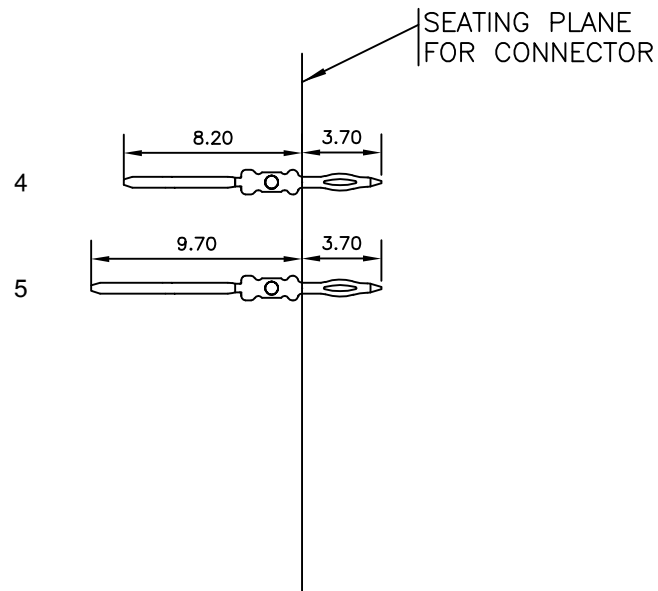
LOADING PATTERN MATING SIDE



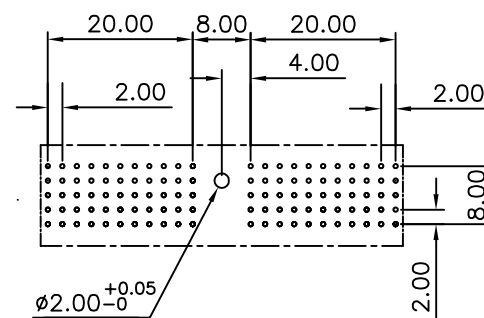
LOADED CONNECTOR ASSEMBLY (FOR EXAMPLE)



CONTACT OVERVIEW



LAY-OUT P.C.B.-HOLE



HM2P07PDF320 LEAD FREE INDICATOR : LF = LEAD FREE (DIGIT 15 & 16)  
PLATING CODE (DIGIT 13 AND 14)  
(REF DRW NO. BS,C , 201844 , 003)

**NOTES**

1. THIS PRODUCT IS CSA APPROVED.
  2. THIS PRODUCT IS UL RECOGNIZED.
  3. MEASURED AT THE BOTTOM.
  4. MATERIAL CONTACT: PHOSPHORBRONZE  
HOUSING: CREAM WHITE GLASS FILLED POLYESTER UL-94V0
  5. CONNECTOR PRINTED WITH P/N AND DATE CODE.
  6. FOR ACTUAL CONTACT LOADINGS, SEE LOADING PATTERN MATING SIDE.
  7. SHAPE OF CONNECTOR HOUSING CAN ALTER DEPENDING ON PRODUCTION LOCATION
  8. THE PRODUCT (LF) MEETS EUROPEAN UNION DIRECTIVES AND OTHER COUNTRY REGULATIONS AS DESCRIBED IN GS-22-008
  9. FOR RECOMMENDED PTH DIMENSIONS REFER DRAWING : BS, A , 201572 , 001
- CATALOG NO: HM2P07PDF320- ---

mat'l. code SEE NOTE 4				surface ISO 1302 ✓		tolerance ISO 406 ISO 1101		projection MM		product family MLLIPACS							
litr				ecn no		dr		date		title							
A				I04-0087		MINI		2004/09/24		MPACS 5+2R STR HDR PF CONN TYPE A							
B				I05-0189		MINI		2005/10/15									
C				I06-0090		MINI		2006/06/28									
										angles		linear					
										0°±1°							
										scale		-					
										dr		MINI K VANDANATH 2004/09/24					
										enr		BIJU K PAUL 2004/09/24					
										chr		BIJU K PAUL 2006/06/28					
										appd		BIJU K PAUL 2006/06/28					
sheet index		revision sheet		c								dwg no		sheet 1 of 1		size	
1		1										BS, C ,203028, 151		A3		5	
												type		Product Customer Drawing			