

ITEM	PART#	DESCRIPTION	QTY	UOM
A, B	22013057	100KKTermHsgW/LRamp W/PoR 5Ckt 2695-05RP	2	PC
C	8500113	KK 100 Crp Term Std 22-30 Awg Tin	10	PC
D	--	PAPER PRINTED PAPER WHITE	1	PC

FROM	TO	DESCRIPTION	COLOR
A1	B5	1X22AWG DISC MPPE BK UL11028	BLACK
A2	B4	1X22AWG DISC MPPE BK UL11028	BLACK
A3	B3	1X22AWG DISC MPPE BK UL11028	BLACK
A4	B2	1X22AWG DISC MPPE BK UL11028	BLACK
A5	B1	1X22AWG DISC MPPE BK UL11028	BLACK

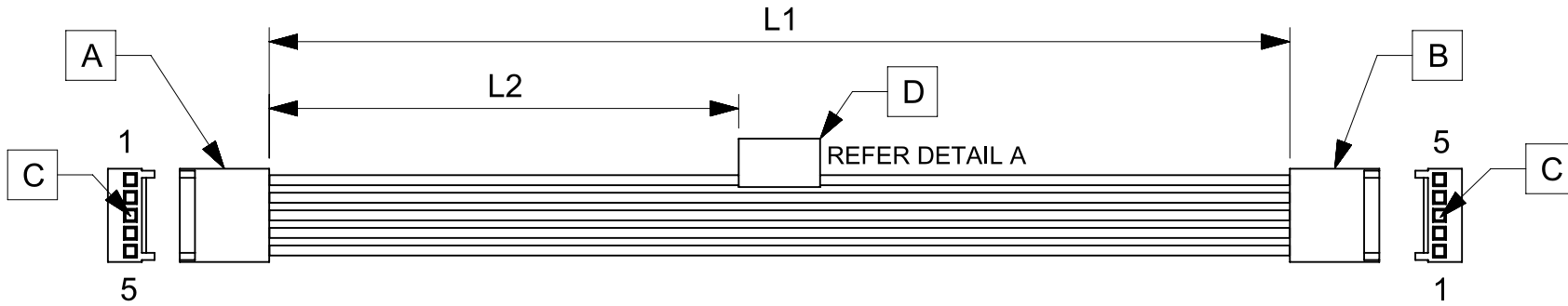


TABLE			
PART NUMBER	L1	L2	TITLE
2177961051	150±8	63 REF	KK 2.54 SR R-R 5CKT 150MM DISC Sn
2177961052	300±10	138 REF	KK 2.54 SR R-R 5CKT 300MM DISC Sn
2177961053	600±10	288 REF	KK 2.54 SR R-R 5CKT 600MM DISC Sn

NOTES

1. Cable assembly must pass 100% for continuity and polarity.
2. Connector view shown is from mating side.
3. Label text must be 2mm max. in height with Arial font.
4. Label must be wrapped in Flag type on a single cable.

MOLEX P/N
MOLEX
BATCH WK/YR
DETAIL A

REVISION			
DATE	REV	DESCRIPTION	CHANGER
11/01/2021	A	INITIAL RELEASE	ARAJU

FUNCTIONAL SYMBOLS $\frac{F}{A} = 0$ $\frac{F}{E} = 0$ $\frac{F}{P} = 0$ DIVISIONAL SYMBOLS	THIS DRAWING CONTAINS INFORMATION THAT IS PROPRIETARY TO MOLEX ELECTRONIC TECHNOLOGIES, LLC AND SHOULD NOT BE USED WITHOUT WRITTEN PERMISSION		CURRENT REV DESC:	
	DIMENSION UNITS	SCALE	GENERAL TOLERANCES (UNLESS SPECIFIED)	
	mm	NTS	ANGULAR TOL ± °	
	4 PLACES ±		3 PLACES ±	
3 PLACES ±		2 PLACES ±		
2 PLACES ±		1 PLACE ±		
1 PLACE ±		0 PLACES ±		
DRAFT WHERE APPLICABLE MUST REMAIN WITHIN DIMENSIONS		THIRD ANGLE PROJECTION	DRAWING	SERIES
			A4-SIZE	217796
		MATERIAL NUMBER		CUSTOMER
		SEE TABLE		GENERAL MARKET
		DOCUMENT NUMBER		DOC TYPE
		2177961051		PSD
		DRWN: ARAJU		DOC PART
		2021/01/09		000
		APPR: RDESAI01		REVISION
		2021/01/11		A
		APPR: RDESAI01		
		2021/01/11		

molex

SEE TABLE

PRODUCT CUSTOMER DRAWING

DOCUMENT NUMBER: 2177961051

DOC TYPE: PSD

DOC PART: 000

REVISION: A

SHEET NUMBER: 1 OF 1

RELEASE STATUS	P1	RELEASE DATE	2021/01/11	10:46:53
----------------	----	--------------	------------	----------