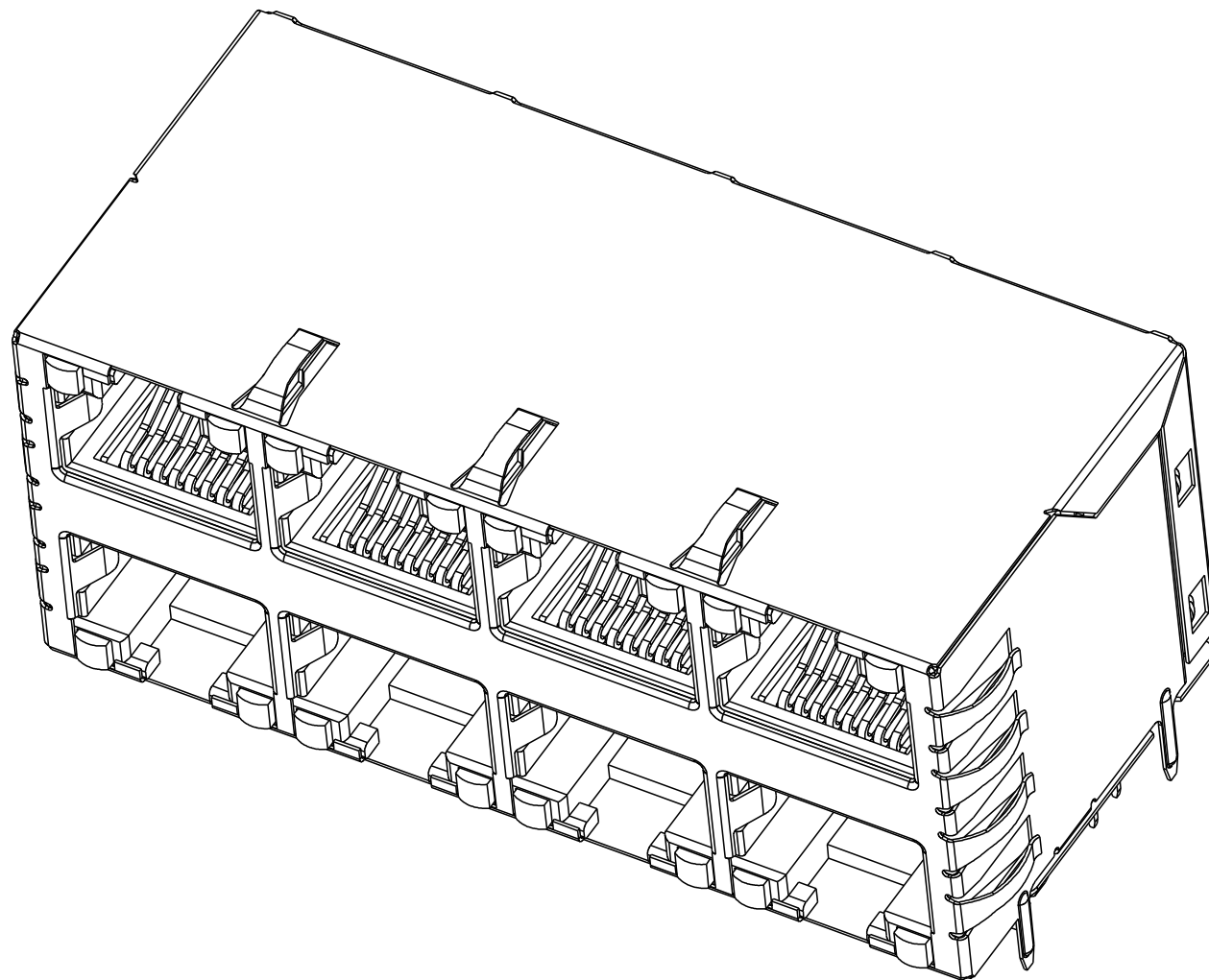


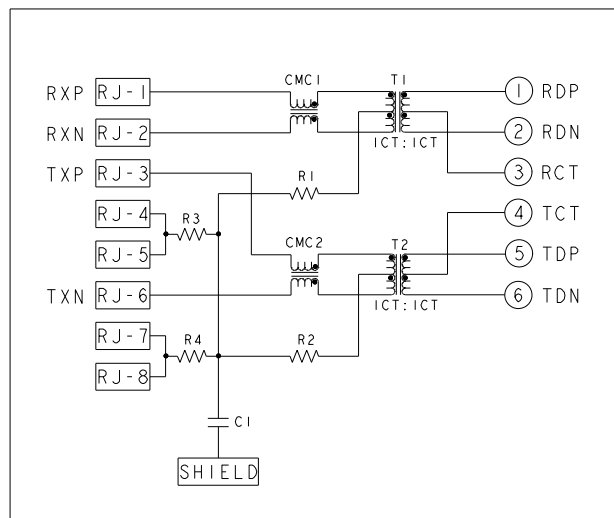
THIS DRAWING AND THE SUBJECT MATTER SHOWN THEREON ARE CONFIDENTIAL AND THE PROPERTY OF BEL/STEWART/TRP CONNECTOR AND SHALL NOT BE REPRODUCED, COPIED, OR USED IN ANY MANNER WITHOUT THE WRITTEN CONSENT OF TRP CONNECTOR.

PRODUCT MAY BE PROTECTED BY ONE OR MORE OF THE FOLLOWING US PATENTS:  
 5736910 5939955 6425781 6428361 6554638 6840817 7123117  
 7429195 7717749 7808751 6217391 6149050 7924130

REVISIONS				
#	LT#	DESCRIPTION	DATE	DWN APVD
G		EC-1411035 COMPANY LOGO CHANGE	09FEB2015	TR TY




**S866P9 10/100 CIRCUIT** ⚠  
**TOP AND BOTTOM PORTS**

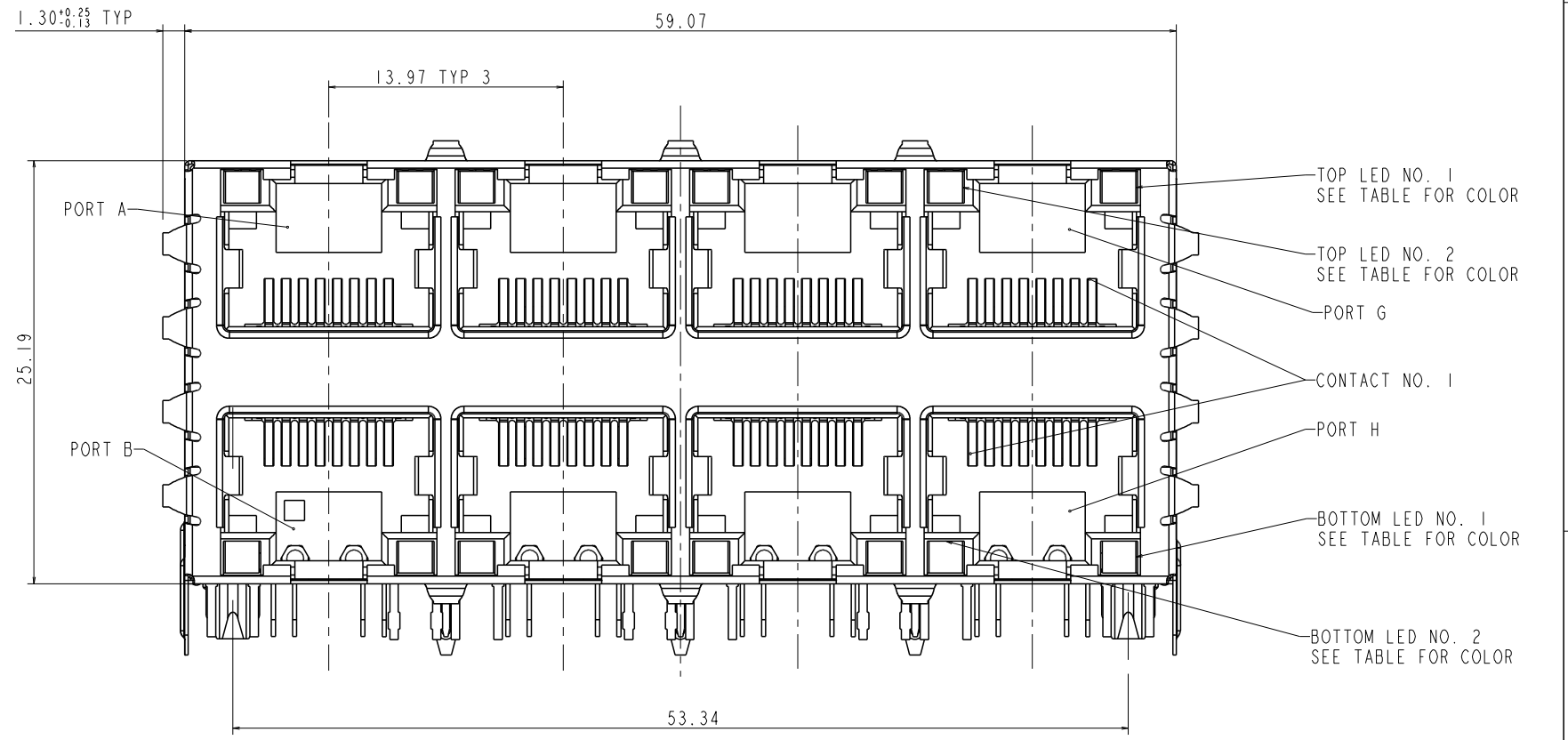
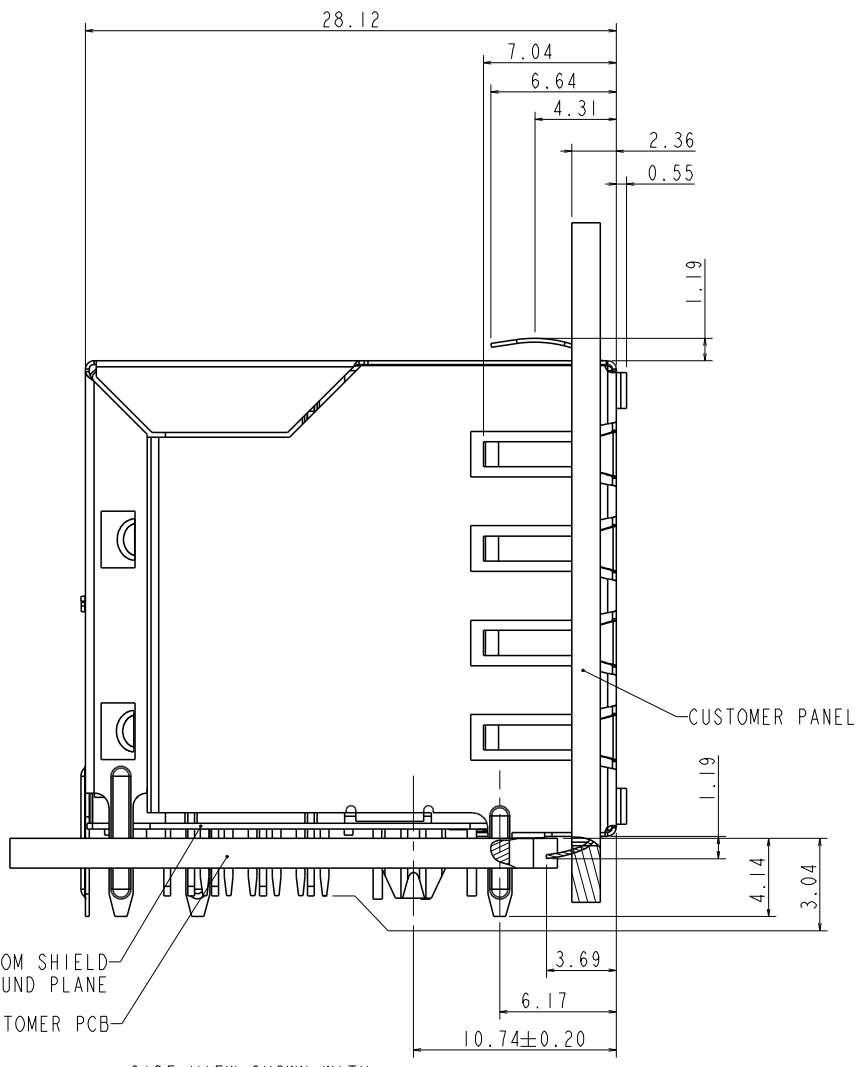
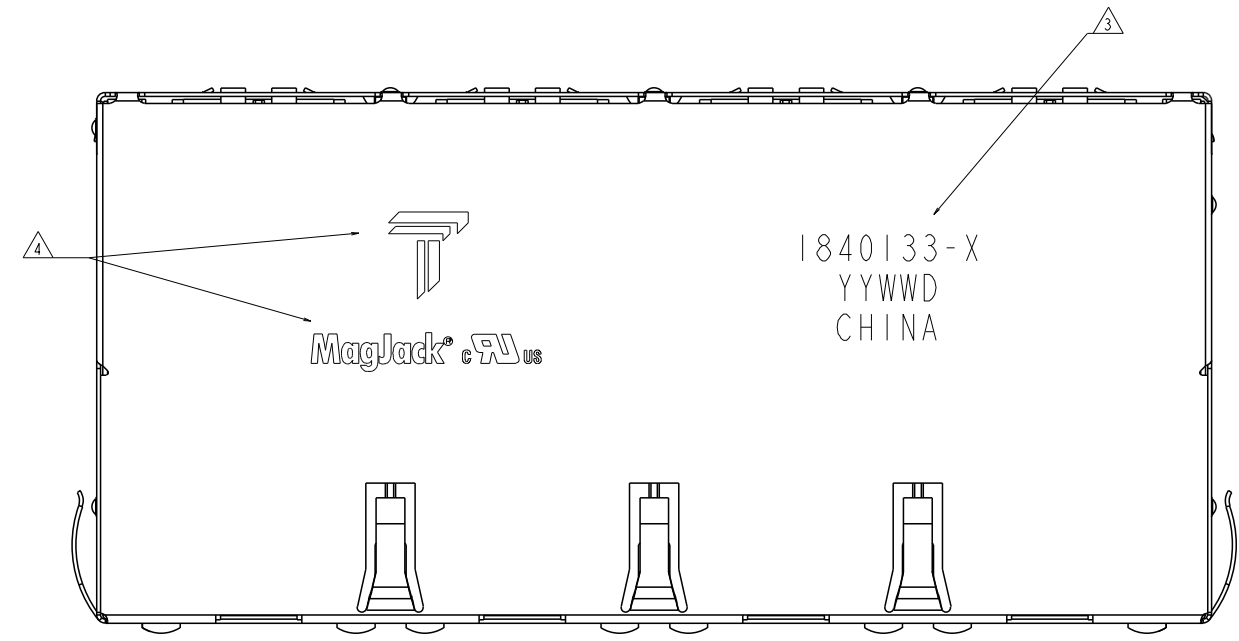


C1 = 1000pF, 2kV, ±10%, X7R DECOUPLING CAP.  
 R1-R4 = 75 OHMS, 1/16 W, ±5% RESISTORS

1. MATERIALS:  
 PLASTIC HOUSING: BLACK, THERMOPLASTIC FLAMMABILITY RATING UL 94V-0  
 SHIELD: BRASS, PREPLATED WITH 0.76um MIN SEMI-BRIGHT NICKEL,  
 POST DIPPED WITH 2.54um MIN SAC SOLDER ON SOLDER TAILS,  
 CONTACTS: PHOSPHOR BRONZE, 1.27um MIN OVERALL NICKEL  
 UNDERPLATE WITH SELECT 1.27um MIN GOLD AT MATING INTERFACE  
 AND 2.54um MIN MATTE TIN ON SOLDER TAILS.  
 LED: DIFFUSED EPOXY LENS, CARBON STEEL LEAD FRAME TAILS OF LED  
 ARE PREPLATED WITH 2.03um MIN SILVER OVER 1.02um MIN NICKEL  
 UNDERPLATE OVER 1.02um MIN COPPER UNDERPLATE. POST-PLATED WITH  
 2.54um MIN MATTE TIN AND/OR SAC SOLDER DIP OR PURE TIN SOLDER DIP  
 INTERNAL MAGNETICS PC BOARDS: HIGH TEMP PCB, TG>170°C.
- ⚠ 2. MAGNETICS  
 APPLICATION: 10/100 BASE-T  
 IMPEDANCE: 100 OHMS  
 TURNS RATIO (CHIP:CABLE): TX = 1:1, RX = 1:1  
 OPEN CIRCUIT INDUCTANCE (OCL): 350uH MIN @100kHz, 0.1VRMS,  
 8mADC BIAS FROM 0°C TO 70°C, TX AND RX  
 PERFORMANCE @ 25°C:  
 INSERTION LOSS (IL): 1.1dB MAX FROM 0.5MHz TO 100MHz  
 RETURN LOSS (RL): 18dB MIN FROM 0.5MHz TO 30MHz  
 18-20LOG(f/30)dB MIN FROM 30.1MHz TO 60MHz  
 12dB MIN FROM 60.1MHz TO 80MHz  
 CROSSTALK ATTENUATION: 35dB MIN FROM 0.5MHz TO 40MHz  
 33-20LOG(f/50)dB MIN FROM 40.1MHz TO 100MHz  
 COMMON MODE REJECTION RATIO (CMRR): 30dB MIN FROM 0.5MHz TO 100MHz  
 ISOLATION VOLTAGE: COMPLIES WITH IEEE802.3 2002, PARA 23.5.1.1, ITEM b.
- ⚠ 3. PART NUMBER, DATE CODE AND COUNTRY OF ORIGIN LOCATED IN APPROXIMATE AREA SHOWN. DATE CODE "YY" IS THE YEAR, "WW" IS THE WEEK, "D" IS THE DAY OF WEEK, WITH SUNDAY="1"
- ⚠ 4. AGENCY APPROVAL LOGO, TRP LOGO AND PRODUCT LOGO TO BE LOCATED IN APPROXIMATE AREA SHOWN..
5. OPERATING TEMP: FROM 0°C TO +70°C.
6. RJ45 CAVITY CONFORMS TO FCC RULES AND REGULATION PART 68 SUBPART F.
- ⚠ 7. DATUM AND BASIC DIMENSION ESTABLISHED BY CUSTOMER.
- ⚠ 8. BASIC DIMENSION ESTABLISHED BY CUSTOMER, BUT MAY NOT BE GREATER THAN 5.08mm.
9. LEDS ARE DRIVEN WITH CONSTANT CURRENT AT APPROX 20mA  
 LED COLOR: DOMINANT WAVELENGTH (λD): GREEN 568 nm TYP. @ IF=20mA  
 FORWARD VOLTAGE (VF): GREEN 2.2V TYP. @ IF=20mA  
 DOMINANT WAVELENGTH (λD): YELLOW 588 nm TYP. @ IF=20mA  
 FORWARD VOLTAGE (VF): YELLOW 2.1V TYP. @ IF=20mA
10. THESE PARTS ARE RECOMMENDED FOR WAVE SOLDERING PROCESS, PEAK SOLDERING TEMPERATURE IS 260 °C MAX, 10 SECONDS MAX.

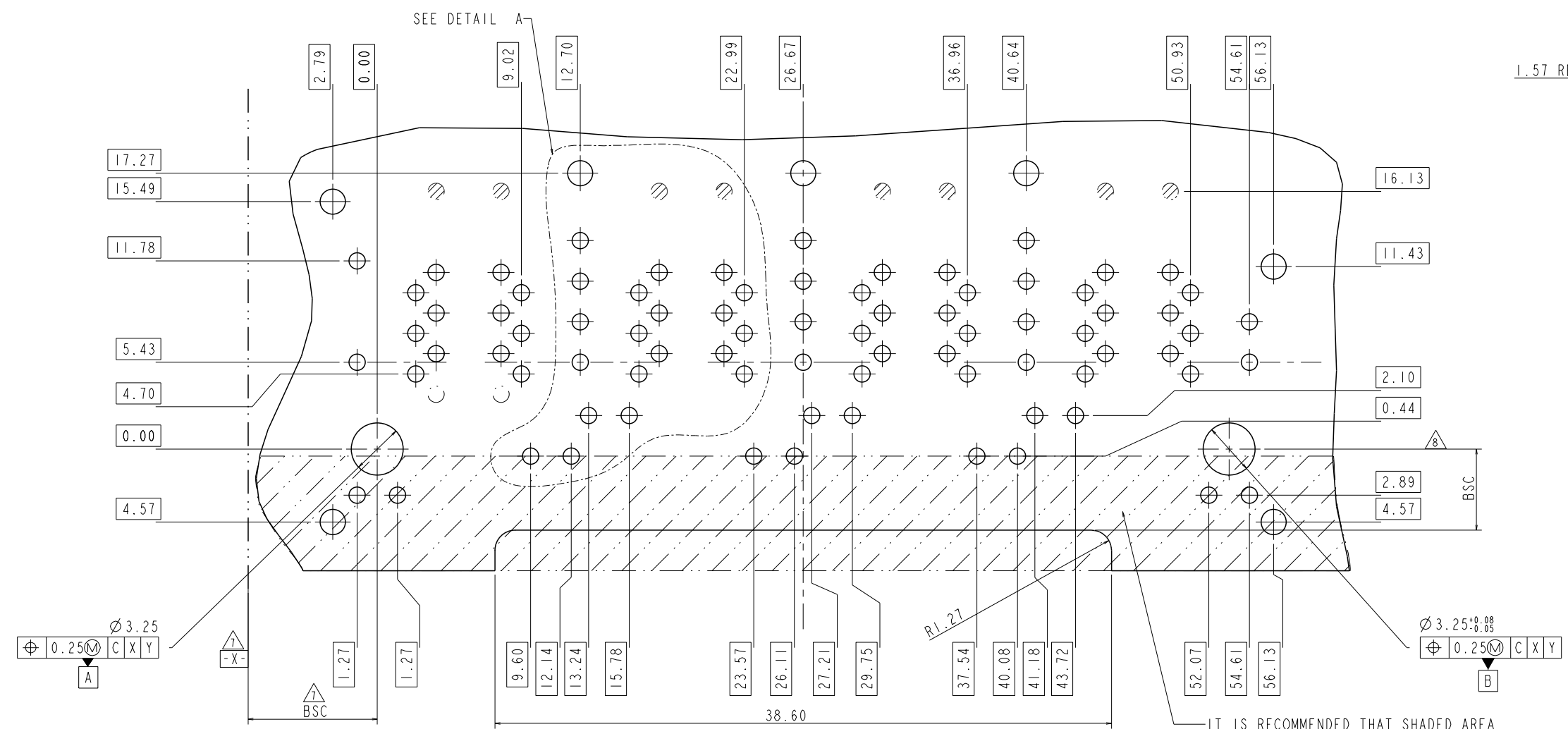
2.21	GREEN	YELLOW	GREEN	YELLOW	1840133-6
3.04	GRN/YEL	GREEN	GRN/YEL	GREEN	1840133-5
3.04	GRN/YEL	GRN/YEL	GRN/YEL	GRN/YEL	1840133-4
3.04	GREEN	YELLOW	GREEN	YELLOW	1840133-3
3.04	YELLOW	GREEN	GREEN	YELLOW	1840133-2
3.04	GREEN	GREEN	GREEN	GREEN	1840133-1
DIM A	BOTTOM LED NO. 2	BOTTOM LED NO. 1	TOP LED NO. 2	TOP LED NO. 1	PART NO.

THIS DRAWING IS A CONTROLLED DOCUMENT.		DWN KEKE YOUTH 19APR2006	 <b>trp</b> CONNECTOR a bel group	DONGGUAN CHINA
DIMENSIONS: mm		CHK DENNIS CHEN 19APR2006		APVD TEDDY XIANG 19APR2006
DIMENSIONS: mm 0 PLC ±0.25 1 PLC ±0.25 2 PLC ±0.25 3 PLC ±0.25 4 PLC ±0.25 ANGLES ±0.25		MODEL NAME MAGJACK		DESC 2X4 S866P9 10/100 W/ LED
PRODUCT SPEC 108-2100		APPLICATION SPEC -		RESTRICTED TO A1 SCALE 4:1 SHEET 1 OF 4 REV G



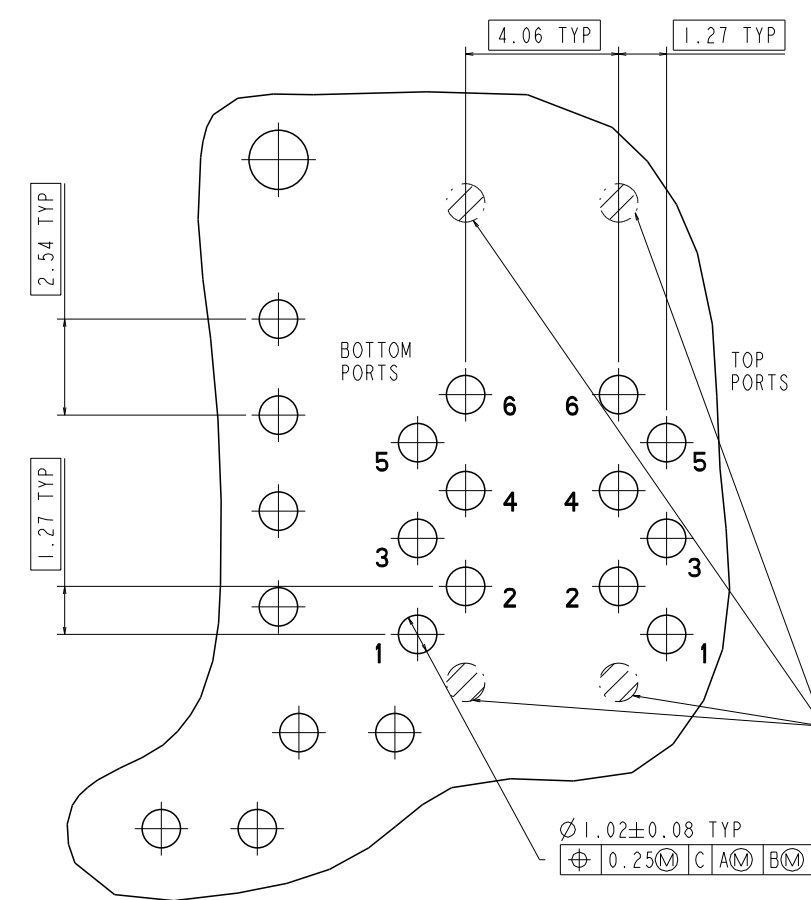
SIDE VIEW SHOWN WITH  
 PANEL AND PCB  
 FOR LOCATION

THIS DRAWING IS A CONTROLLED DOCUMENT.		DWN: HEKE YOUTH 19APR2006	TRP CONNECTOR a bel group DONGGUAN CHINA
DIMENSIONS: mm		CHK: DENNIS CHEN 19APR2006	
TOLERANCES UNLESS OTHERWISE SPECIFIED:		APP'D: TEDDY XIONG 19APR2006	
0 PLC ±0.25 1 PLC ±0.25 2 PLC ±0.25 3 PLC ±0.25 4 PLC ±0.25 ANGLES ±0.25		MODEL NAME: MAGJACK	
PRODUCT SPEC: 108-2100	APPLICATION SPEC: -	DESC: 2X4 S866P9 10/100 W/ LED	RESTRICTED TO: -
		SIZE: A1	CAGE CODE: 1840133
		CUSTOMER DRAWING	SCALE: 4:1 SHEET 2 OF 4 REV G

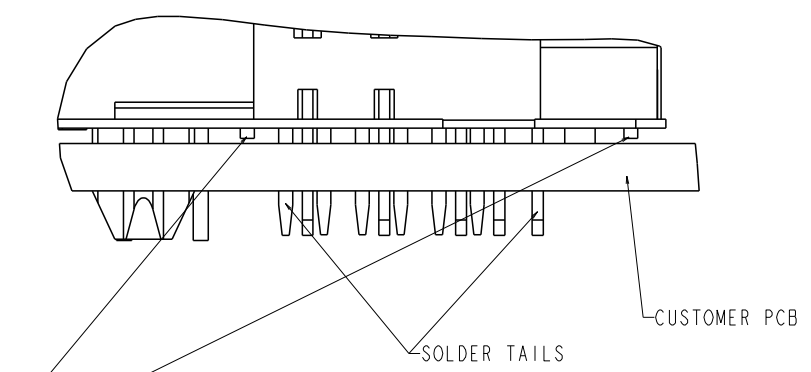


PC BOARD LAYOUT  
VIEWED FROM COMPONENT SIDE  
SCALE 6:1

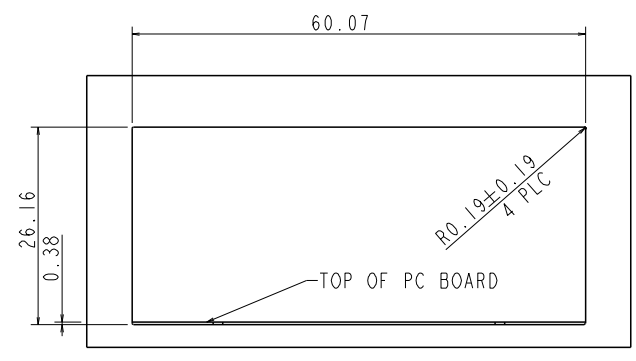
IT IS RECOMMENDED THAT SHADED AREA  
OF CUSTOMER PC BOARD BE CLEAR OF ANY  
VIA HOLE, COMPONENT AND CIRCUIT TRACE



DETAIL A  
PIN DESIGNATION  
SCALE 10:1

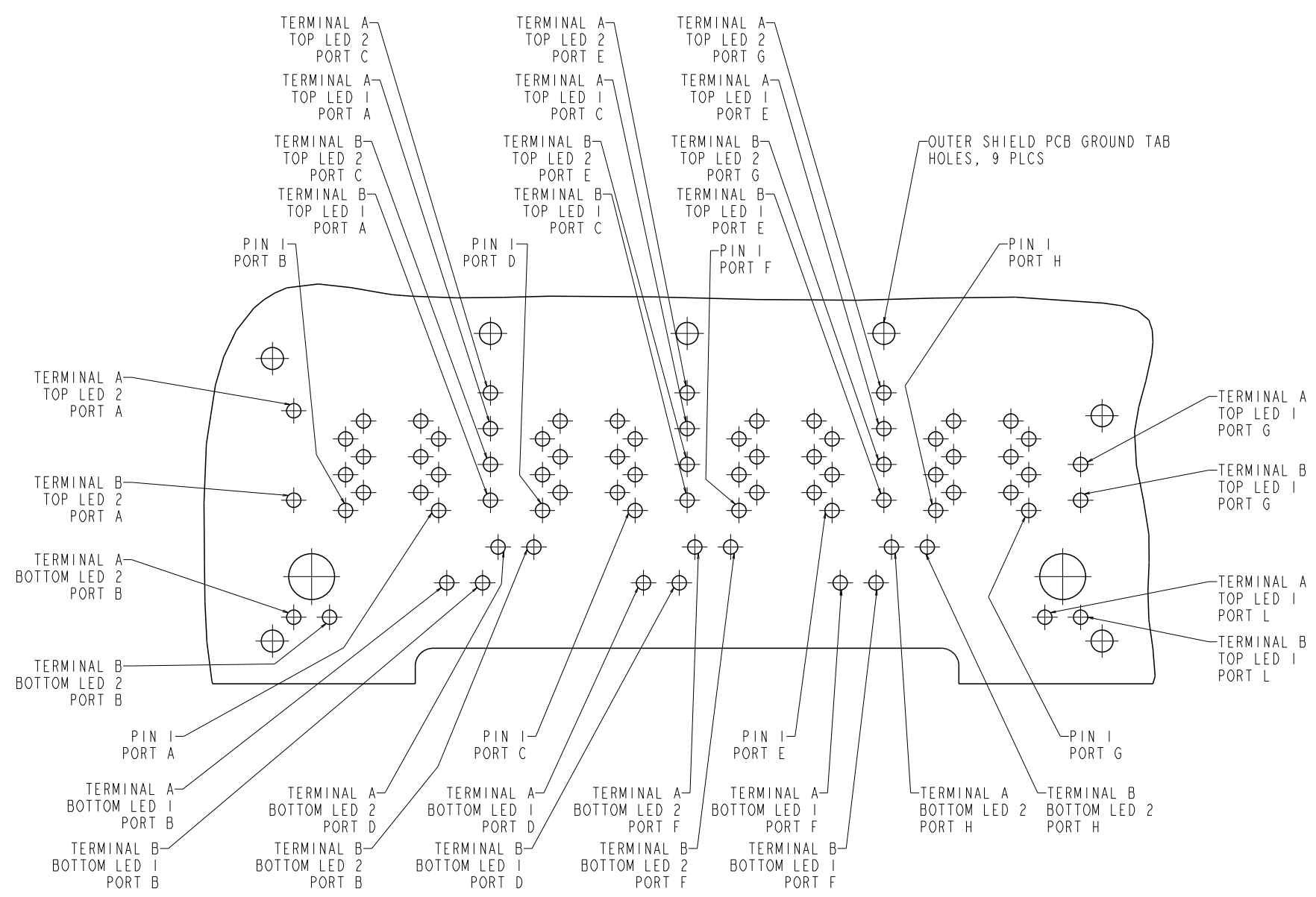


PIN #0 & PIN #7 ON MOD JACK ARE STUB PINS WITH  
LENGTH SIMILAR TO PCB STANOFF HEIGHT  
PRECAUTIONS SHOULD BE TAKEN IN PCB DESIGN TO  
GUARD AGAINST SHORTING TRACES TO STUB PINS.

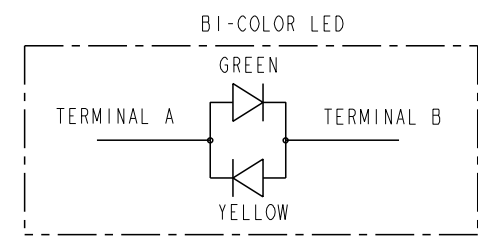
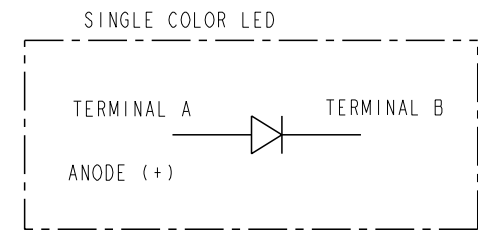


SUGGESTED PANEL CUTOUT DIMENSIONS

THIS DRAWING IS A CONTROLLED DOCUMENT.		DWN: HEKE YOUTH 19APR2006	 DONGGUAN CHINA
DIMENSIONS: mm		CHK: DENNIS CHEN 19APR2006	
TOLERANCES UNLESS OTHERWISE SPECIFIED:		APP'D: TEDDY XIANG 19APR2006	
0 PLC ±0.25 1 PLC ±0.25 2 PLC ±0.25 3 PLC ±0.25 4 PLC ±0.25 ANGLES °		MODEL NAME: MAGJACK	
PRODUCT SPEC: 108-2100	APPLICATION SPEC: -	DESC: 2X4 S866P9 10/100 W/ LED	RESTRICTED TO: -
CUSTOMER DRAWING		SIZE: A1	CAGE CODE: 1840133
SCALE: 4:1		SHEET: 3 OF 4	REV: G



LED HOLE DESIGNATION VIEWED FROM COMPONENT SIDE



THIS DRAWING IS A CONTROLLED DOCUMENT.		DWN: HEKE YOUTH 19APR2006		DONGGUAN CHINA
DIMENSIONS: mm		CHK: DENNIS CHEN 19APR2006		
		APPV: TEDDY XIONG 19APR2006		
TOLERANCES UNLESS OTHERWISE SPECIFIED:		MODEL NAME		DESC
0 PLC	±0.25	MAGJACK		2X4 S866P9 10/100 W/ LED
1 PLC	±0.25	PRODUCT SPEC		SIZE CAGE CODE DRAWING NO
2 PLC	±0.25	108-2100		STACK NON-PoE A1
3 PLC	±0.25	APPLICATION SPEC		RESTRICTED TO
4 PLC	±0.25	-		©=1840133
ANGLES	°	CUSTOMER DRAWING		SCALE 4:1 SHEET 4 OF 4 REV G