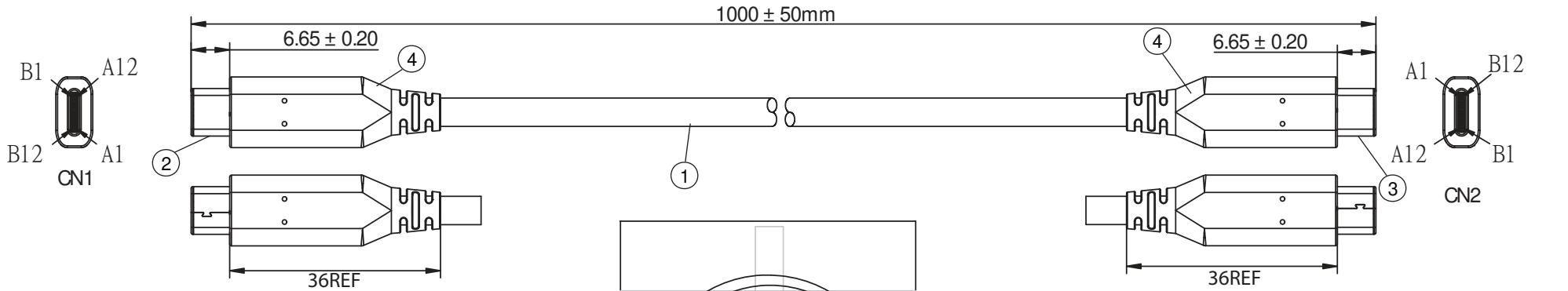
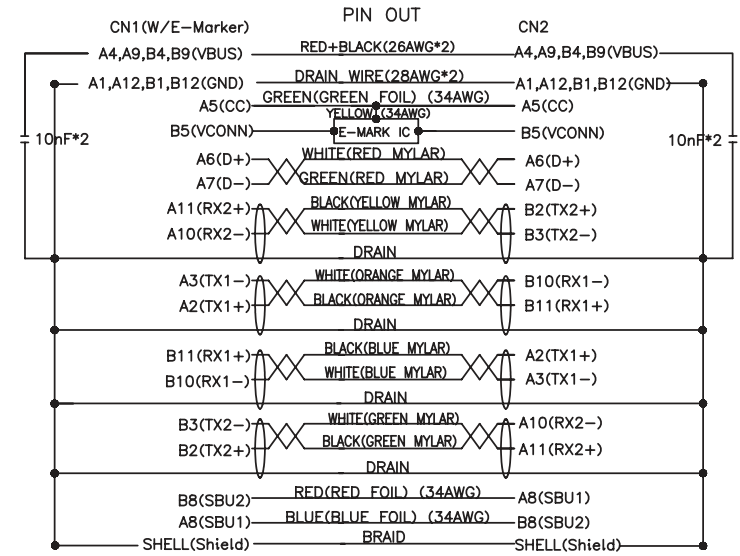
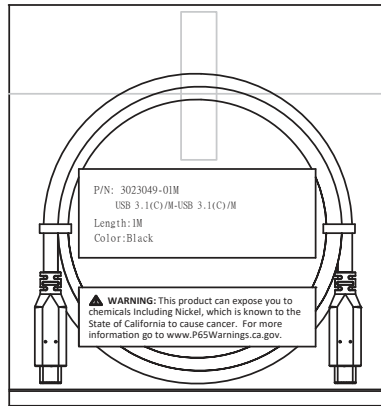


THESE DRAWINGS ARE THE PROPERTY OF QUALTEK ELECTRONICS AND NOT TO BE REPRODUCED FOR OR COMMUNICATED TO A THIRD PARTY WITHOUT THE EXPRESS WRITTEN PERMISSION OF AN OFFICER OF QUALTEK ELECTRONICS.

REVISION			
REV.	DESCRIPTION	DATE	APPROVED



P/N: 3023049-01M  
 USB 3.1(C)/M-USB 3.1(C)/M  
 Length: 1M  
 Color: Black



**NOTES:**

- CABLE: UL 2725**  
 (30AWGx1PR+EAM)x4+(31AWGx2K+AM)  
 +26AWGx2C+34AWGx1C+(34AWGx1C+A)x3+2EAB 85%  
 PVC OUTER JACKET: BLACK, OD: 5.2 ± 0.2mm
- CONNECTOR: USB 3.1 GEN 1 TYPE C MALE**  
 INSULATOR: BLACK PBT  
 PIN 30u" GOLD PLATED  
 NICKEL PLATED SHELL
- CONNECTOR: USB 3.1 GEN 1 TYPE C MALE**  
 INSULATOR: BLACK PBT  
 PIN 30u" GOLD PLATED  
 NICKEL PLATED SHELL  
 PCB WITH IC E-MARKED
- PVC MOLDED: COLOR V398 45P BLACK**
- ELECTRICAL TEST:**
  - <1>.100% OPEN SHORT & MISS WIRE TEST
  - <2>.HI-POT: 50V AC/0.01 SEC 50V DC/0.01 SEC
  - <3>.INSULATION RESISTANCE: 10M OHM (MIN)
  - <4>.CONDUCTIVE RESISTANCE: 2 OHM (MAX)
  - <5>.CAPACITANCE DETECTION: 20nF ± 20% BETWEEN A1 AND A4
- DATA TRANSFER RATE UP TO 5Gbps (NOMINAL)**
- CURRENT RATING UP TO 5A (NOMINAL)**
- VOLTAGE RATING UP TO 20V (NOMINAL)**
- PACKING: 1PC/POLYBAG W/ LABEL**

**CONTROLLED**

Dim range (mm)	Tolerance +/- (mm)	Qualtek Electronics Corp. WCI DIVISION		
		Part Number: 3023049-01M	RoHS Compliant	
0-1	0.15	Description: USB 3.1(C)/M - USB 3.1 (C)/M		
1-6	0.20	UNIT: mm		
6-18	0.30	UNIT: mm		
18-50	0.50	UNIT: mm		
50-120	0.70	Drawn / Date	Checked / Date	Approved / Date
120-250	0.90	R Nuti 10-02-18	10-02-18	LY / 10-02-18
250-500	1.20			