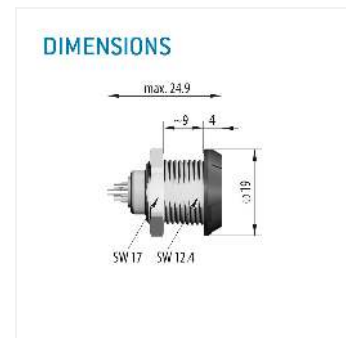


**General information**

Part number	G11MC7-P03MJN0-0060
Termination	solder
Size	1
Locking principle	break , push
Coding	c_key_medi



**Contact insert description**

Number of contacts	3
Contact type	pins
Contact diameter	09_fmbl
Insulator material	peek
Wire cross section	18_awg
Termination	solder
Termination diameter	14mm

reverse\_gender\_on\_request

**Technical information**

Max. creepage and air clearance distance	47_20_mm	iec_60601_1mopp_2moop
Nominal current single contact	10_a	iec_60512_5_2
Nominal current insert	10 A	vde_0298_4
Test voltage	675_m_45_u_kv_dc	sae_13441

safety\_text\_hv  
 iec\_60601\_receptacle

## Mechanical and environmental data

Degree of protection*	ip50
Operating temperature	50_120_c
Mating cycles	5000

mated\_unmated

## Insulator materials MEDI-SNAP®

psu\_peek

## Material and surface treatments

Housing	psu_gray
Color option	blue
Contact	cu_alloy_gold

safety\_text\_2  
ul\_text  
illustrative\_text