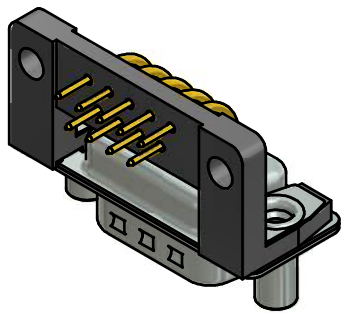
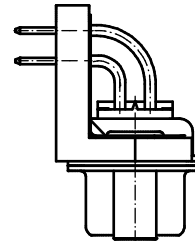


SEE NOTE 8



**NOTES:**

1. METALSHELLS: STEEL; min. 315µm TIN over 40-80µm NICKEL
2. INSULATORS: PBT GF UL 94 V-0, BLACK
3. CONTACTS: COPPER ALLOY  
PLATING (SEE PART NO.):
  - PLEASE ADD A for GOLD FLASH over NICKEL (PREFERRED TYPE)
  - PLEASE ADD B for 20µm HARD GOLD over min. 50µm NICKEL
  - PLEASE ADD C for 30µm HARD GOLD over min. 50µm NICKEL
4. MOUNTING BRACKET: PBT GF UL 94 V-0; BLACK
5. THREADED LOCKS: COPPER ALLOY; min. 200µm TIN over 80µm NICKEL
6. GROUNDING BRACKETS: COPPER ALLOY; TIN PLATED
7. MAXIMUM TORQUE VALUE FOR THREAD: 6 in.LB
8. CONNECTOR IS PART MARKED: **163□13829X CONEC ABC**

Directive 2002/95/EC RoHS compliant

THIS DRAWING MAY NOT BE COPIED OR REPRODUCED IN ANY WAY, AND MAY NOT BE PASSED ON TO A THIRD PARTY WITHOUT WRITTEN PERMISSION. OWNERSHIP AND COPYRIGHT OF CONEC GmbH DO NOT ALTER CAD DRAWING BY HAND	tolerance		dim. in mm		scale:	2:1 (5:1)
					material:	SEE NOTES
	date	name	title: <b>D-SUB MALE 90°</b> 9pos. SOLDER PIN ANGLED with threaded lock, mounting bracket, grounding bracket			
	drawn	27.05.13 Henneboel				
	appd.	27.05.13 Fischer				
norm		dwg no:		16K1A3260	DIN-A3	
d-old				sh: 1		
a	Original	<b>CONEC</b> ®		part no:		163□13829X (see note 3)
rev.	description			date	name	