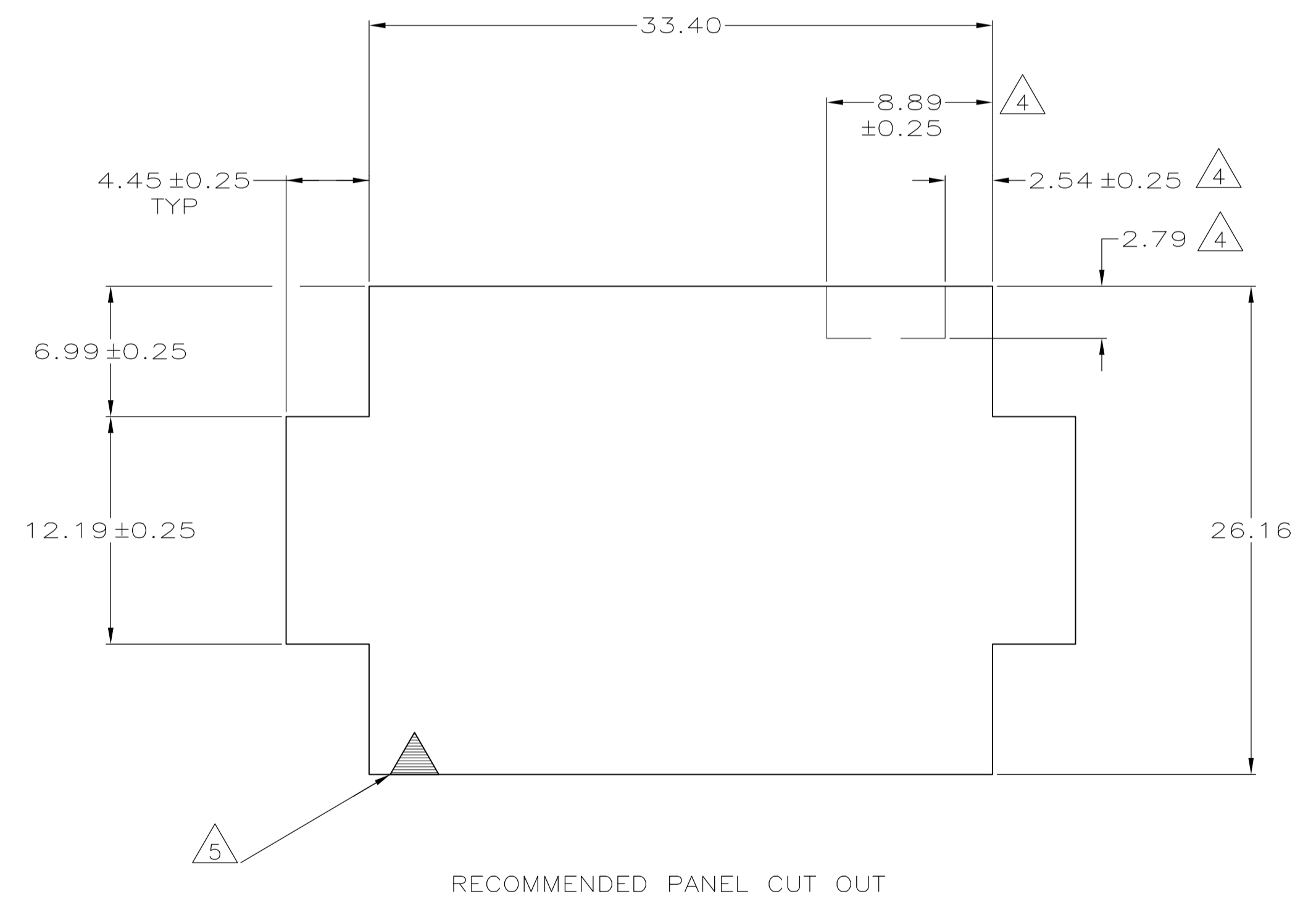
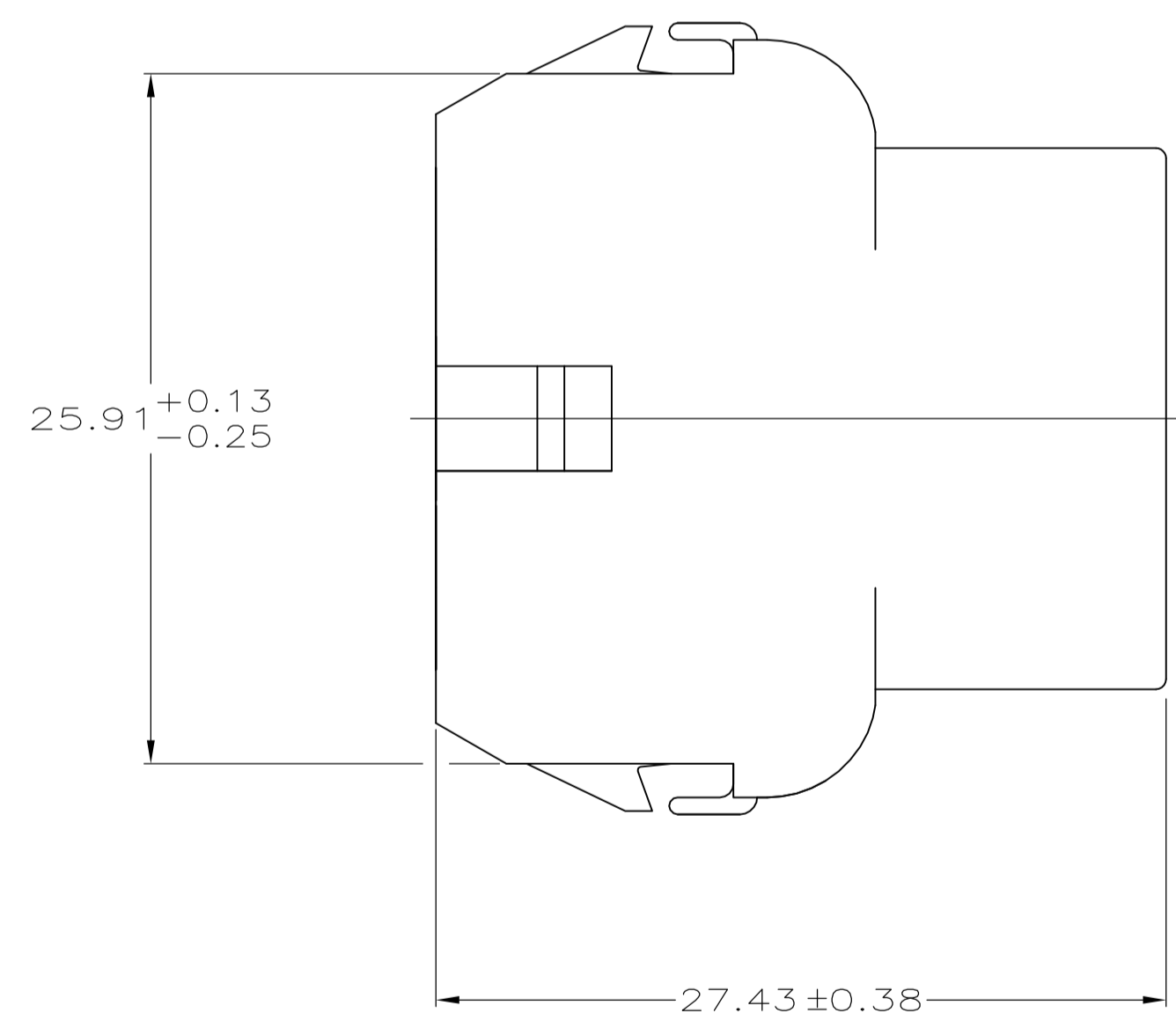
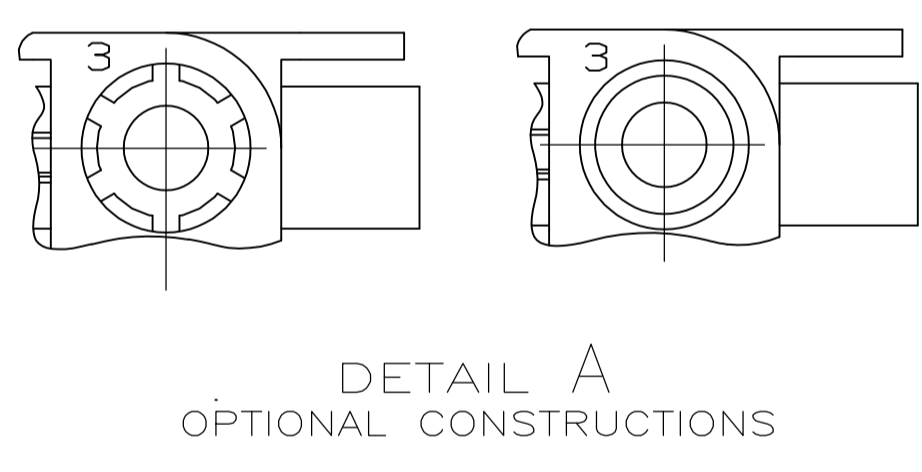
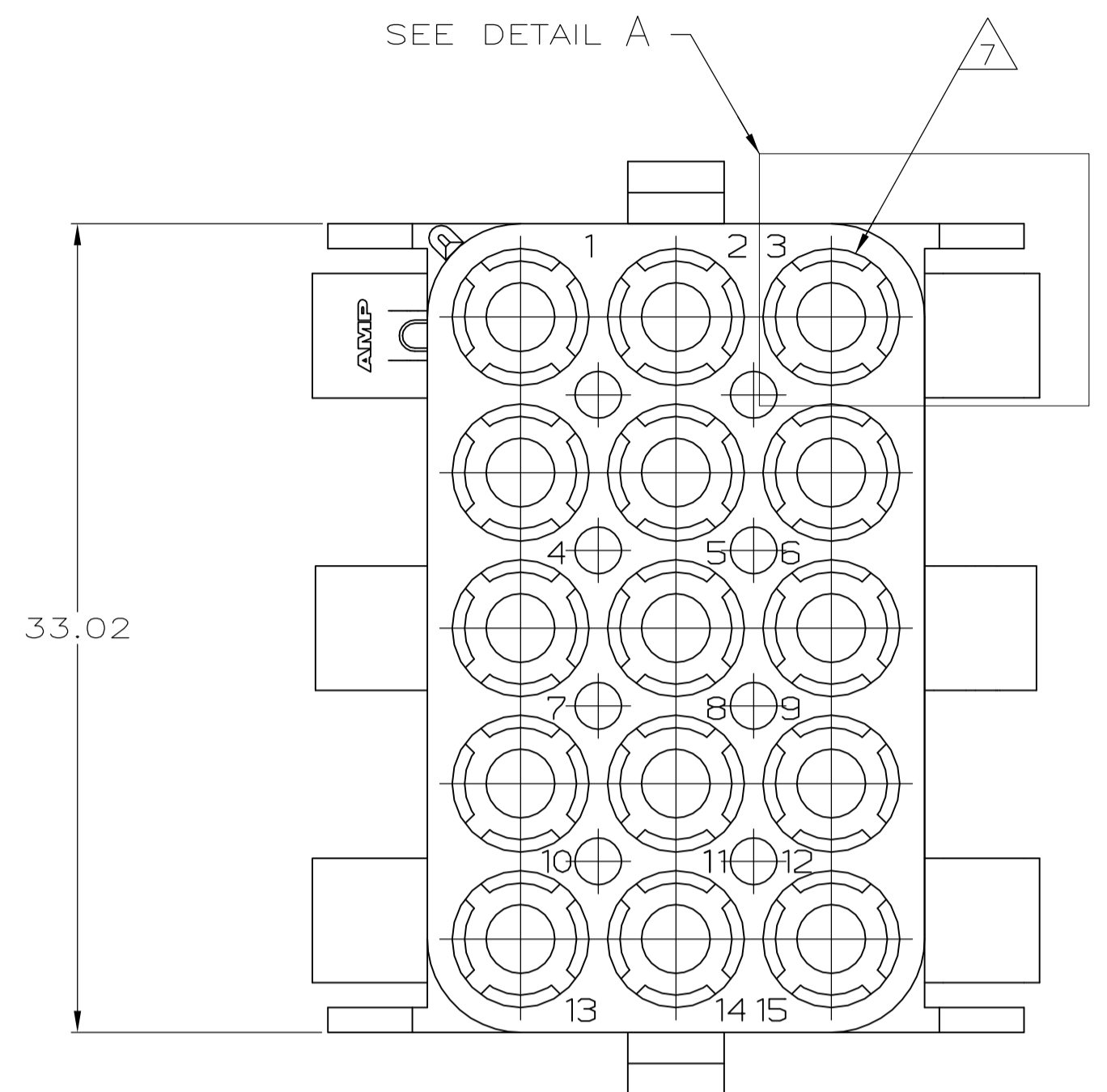
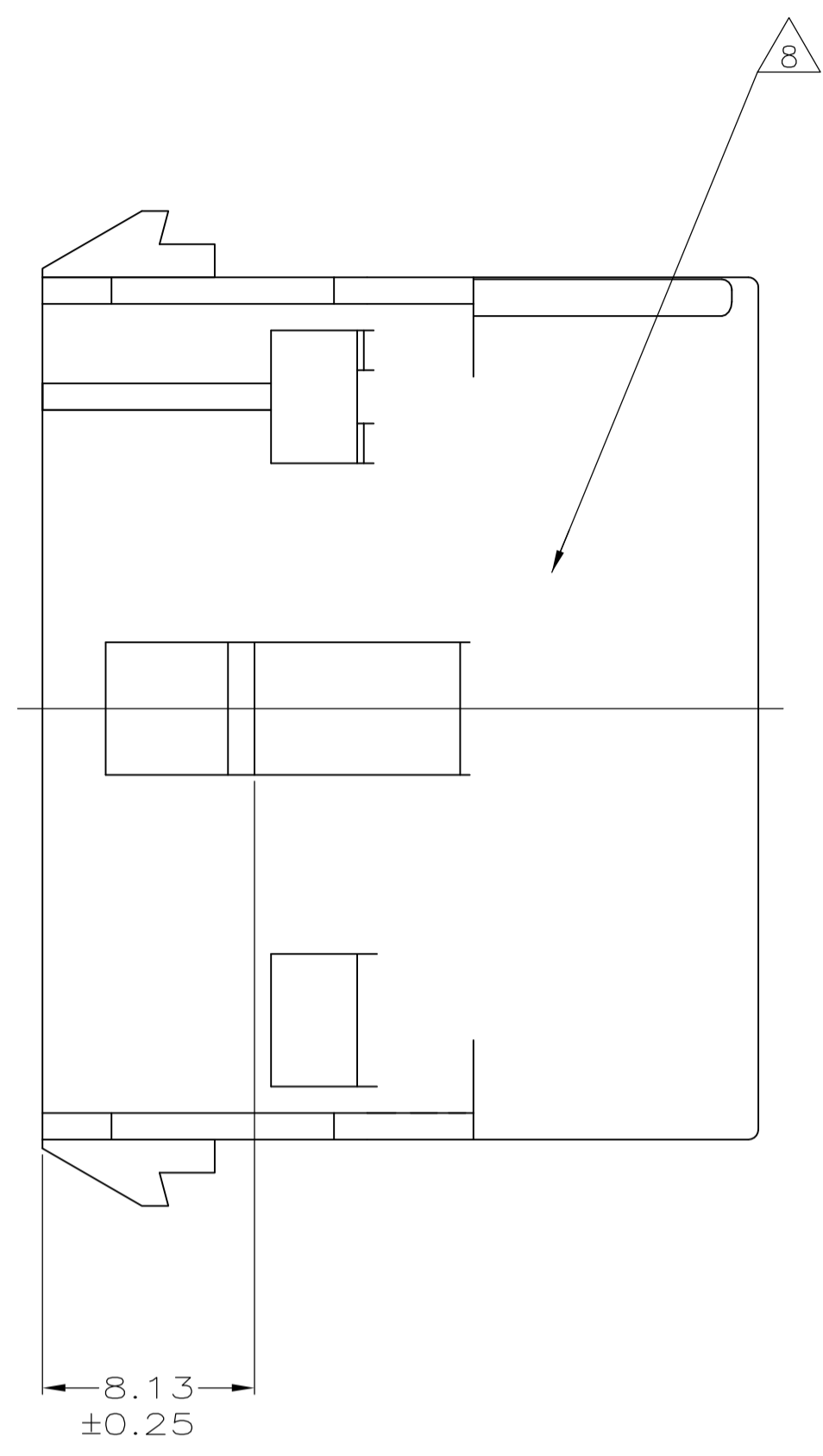
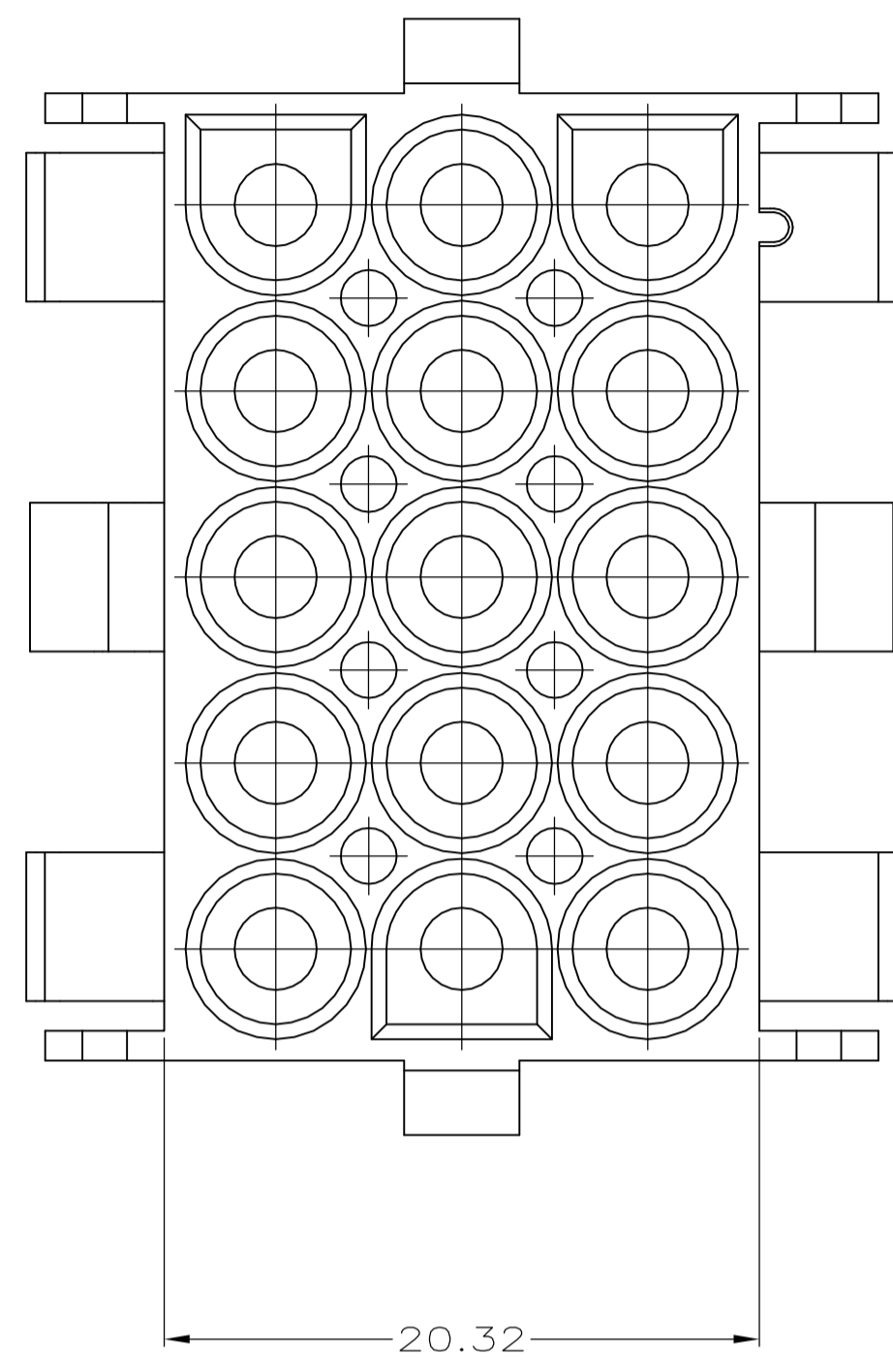


REVISIONS				
P	LTR	DESCRIPTION	DATE	OWN / APPV
A2		REVISED PER ECO-17-011927	22AUG2017	RS / KR

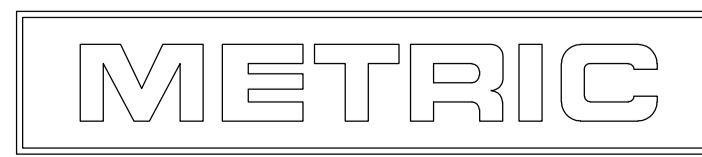
- 1 MATES WITH APPROPRIATE UNIVERSAL MATE-N-LOK™ PLUG.
- 2 RECOMMENDED PANEL THICKNESS 0.76 - 2.29.
- 3 PANEL MUST BE PUNCHED SO THAT THE HOUSING ENTERS THE PANEL IN THE SAME DIRECTION AS THE PUNCH.
- 4 OPTIONAL FOR KEYING HOUSING IN PANEL.
- 5 CIRCUIT NUMBER 1 LOCATION.
- 6 DIMENSIONS SHOWN REPRESENT PRODUCT IN DRY, AS MOLDED CONDITION ADDITIONAL 2% GROWTH DUE TO SUBSEQUENT MOISTURE ABSORPTION MAY OCCUR AND SHOULD BE ACCOUNTED FOR.
- 7 FOUR RIBS EQUALLY SPACED, NO SPECIFIC ORIENTATION. NO RIBS OR SIX RIBS EQUALLY SPACED, NO SPECIFIC ORIENTATION, OPTIONAL.
- 8 UNDERWRITER RECOGNIZED COMPONENT LOGO AND CSA CERTIFICATION LOGO TO BE LOCATED ONCE EACH SIDE ON SIDE OF HOUSING.
- 9 150° C TEMPERATURE RATING FOR THIS HOUSING IS FOR SHORT TERM DURATION. MAX OPERATING TEMPERATURE REMAINS 125° C.
- 10 PHOSPHOR BRONZE CONTACTS SHOULD ALWAYS BE USED WITH THIS HOUSING.



RECOMMENDED PANEL CUT OUT

6.99	.275	33.40	1.315
4.45	.175	33.02	1.300
2.79	.110	27.43	1.080
2.54	.100	26.16	1.030
2.29	.090	25.91	1.020
0.76	.030	20.32	.800
0.38	.015	12.19	.480
0.25	.010	8.89	.350
0.13	.005	8.13	.320
MM	IN	MM	IN

CONVERSION TABLE



THIS DRAWING IS A CONTROLLED DOCUMENT.

DIMENSIONS: INCHES	TOLERANCES UNLESS OTHERWISE SPECIFIED:	DIN 5-28-92	APVD	NAME	RESTRICTED TO
0. PLC ± -	1. PLC ± -	K. WHITAKER	M. TRULL	CAP, 15 CIRCUIT, UNIVERSAL MATE-N-LOK™	
2. PLC ± 0.13	3. PLC ± -	10-MAR-2000	M. TRULL		
4. PLC ± -	ANGLES ± 1° 0'	10-MAR-2000			
MATERIAL NYLON,UL 94V-2	FINISH BLACK	SIZE	CAGE CODE	DRAWING NO	WEIGHT
		A1	00779	794745	0.000000
		CUSTOMER DRAWING		SCALE 4:1	SHEET 1 OF 1

794745-1 PART NO

TE Connectivity