

# Altech Corp.®



**Altech**®  
by **KATKO**

## UL98 Disconnect Switches

# UL98 Motor Disconnect Switch - Extended

- Every design is lockable in OFF position
- Switching mechanism speed is independent from the operator
- Silver contacts ensure safe and durable operation



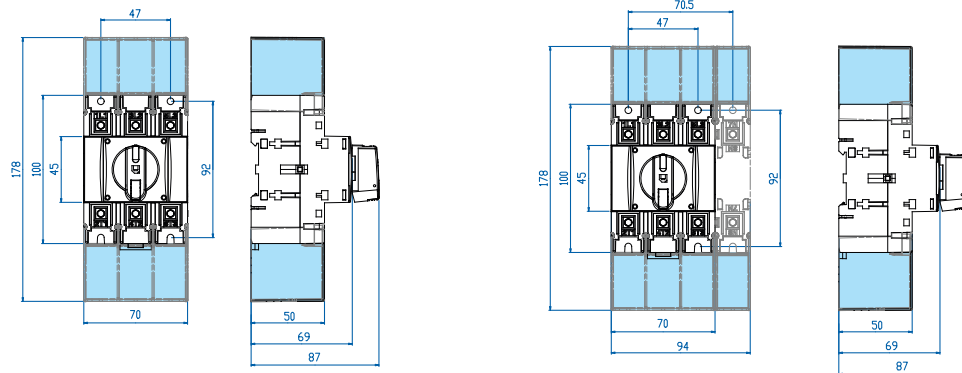
4 Pole disconnect switch shown with optional 3 pole touch protector



Catalog Number	KU360UL98		KU3100UL98		KU460UL98		KU4100UL98	
No. of Poles*	3		3		4		4	
General Purpose Current	60 A		100 A		60 A		100 A	
Maximum Voltage	600V AC		600V AC		600V AC		600V AC	
<b>Horsepower Rating /HP</b>	1 Phase	3 Phase	1 Phase	3 Phase	1 Phase	3 Phase	1 Phase	3 Phase
120V AC	3	–	5	–	3	–	5	–
240V AC	7½	20	10	25	7½	20	10	25
480V AC	–	40	–	50	–	40	–	50
600V AC	–	60	–	75	–	60	–	75
<b>Short Circuit Withstand Rating at 600 V</b>	50 kA/60 A Class J		50 kA/60 A Class J		50 kA/60 A Class J		50 kA/60 A Class J	
<b>Terminal Size Acceptability</b> (Cu Conductors only, 75°C)	8-1/0 AWG		8-1/0 AWG		8-1/0 AWG		8-1/0 AWG	
<b>Terminal Torque</b>	65lb. in. (6.0 Nm)		65lb. in. (6.0 Nm)		65lb. in. (6.0 Nm)		65lb. in. (6.0 Nm)	
<b>Screw Head Type</b>	4mm Allen Key		4mm Allen Key		4mm Allen Key		4mm Allen Key	
<b>Dimensions</b>								

(to convert to inches multiply by 0.03937)

NOTE: Optional touch protectors shown in light blue.



<b>Weight</b>	0.45 kg	0.45 kg	0.59 kg	0.59 kg
---------------	---------	---------	---------	---------

## Suitable Accessories

### DOOR INTERLOCK HANDLES



Lockable with up to 3 padlocks.

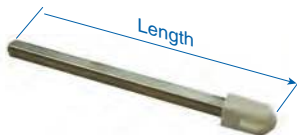
Lockable with up to 3 padlocks.

### SIDE MOUNTED AUXILIARY SWITCHES

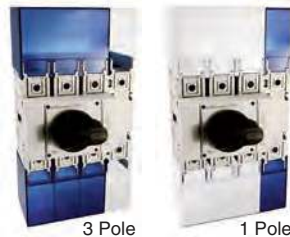


Cat. No.	LK10 UL	LK10 Y/R UL	LK11 U	LK11 Y/R U	Cat. No.	1.V160KU	2.V160KU
<b>Environmental Rating UL (IEC)</b>	UL Type 4X (IP66)		UL Type 4X (IP67)		<b>No. if Contacts</b>	1n.o./1n.c.	2n.o./2n.c.
<b>Color</b>	Black	Yellow/Red	Black	Yellow/Red	<b>Electrical Rating</b>	16 A/1/2HP/125-250V AC	

### DOOR INTERLOCK SHAFT



Cat. No.	L100 AD11-ST	L200 AD11-ST	L300AD11-ST
<b>Length (L)</b>	100 mm	200 mm	300 mm
<b>Material</b>	Steel	Steel	Steel



### BLUE TOUCH PROTECTOR

Cat. No.	LS/VS 160 3P	LS/VS N160
<b>Poles</b>	3	1

\* 6 and 8 pole versions along with changeover version available upon request.

# UL98 Motor Disconnect Switch - Sheet Metal Enclosure



- Can be used locally at the motor
- UL Type 4
- Excellent in harsh weather conditions
- Resistant to many chemicals
- Corrosion and UV resistant
- IEC IP65 Protection Level
- Lockable - Defeatable Handle

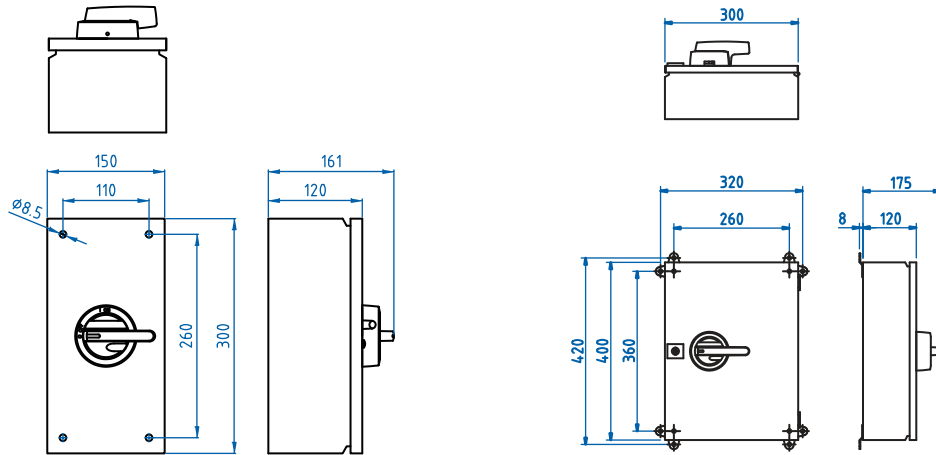


## Catalog Number

- Yellow/Red Handle  
- Black Handle

	KET360UL98 Y/R KET360UL98		KET460UL98 Y/R KET460UL98		KET3100UL98 Y/R KET3100UL98		KET4100UL98 Y/R KET4100UL98	
No. of Poles*	3		4		3		4	
General Purpose Current	60 A		60 A		100 A		100 A	
Maximum Voltage	600V AC		600V AC		600V AC		600V AC	
<b>Horsepower Rating /HP</b>	1 Phase	3 Phase	1 Phase	3 Phase	1 Phase	3 Phase	1 Phase	3 Phase
120V AC	3	—	3	—	5	—	5	—
240V AC	7.5	20	7.5	20	10	25	10	25
480V AC	—	40	—	40	—	50	—	50
600V AC	—	60	—	60	—	75	—	75
<b>Short Circuit Withstand Rating at 600 V</b>	50 kA/60 A Class J		50 kA/60 A Class J		50 kA/100 A Class J		50 kA/100 A Class J	
<b>Terminal Size Acceptability</b> (Cu Conductors only, 75°C)	8-1/0 AWG		8-1/0 AWG		8-1/0 AWG		8-1/0 AWG	
<b>Terminal Torque</b>	65lb. in. (6.0 Nm)		65lb. in. (6.0 Nm)		65lb. in. (6.0 Nm)		65lb. in. (6.0 Nm)	
<b>Screw Head Type</b>	4mm Allen Key		4mm Allen Key		4mm Allen Key		4mm Allen Key	
<b>Dimensions &amp; Size</b>	TR01		TR01		TR02		TR02	

(to convert to inches multiply by 0.03937)



<b>Weight</b>	4.3 kg	4.4 kg	9.7 kg	9.8 kg
---------------	--------	--------	--------	--------

## Suitable Accessories

AUXILIARY SWITCHES



Cat. No.	1.V160KU	2.V160KU
No. of Contacts	1n.o./1n.c.	2n.o./2n.c.
Electrical Rating	16 A/1/2HP/125-250V AC	

\* 6 and 8 pole versions along with changeover version available upon request.

# UL98 Motor Disconnect Switch - Stainless Steel Enclosure



- Can be used locally at the motor
- UL Type 4X
- Ideal where chemicals are used for cleaning and maintenance such as food processing and breweries
- Mining is another application area
- Stainless Steel (Grade AISI 316)
- Corrosion Resistant
- IEC IP65 Protection Level
- Lockable - Defeatable Handle

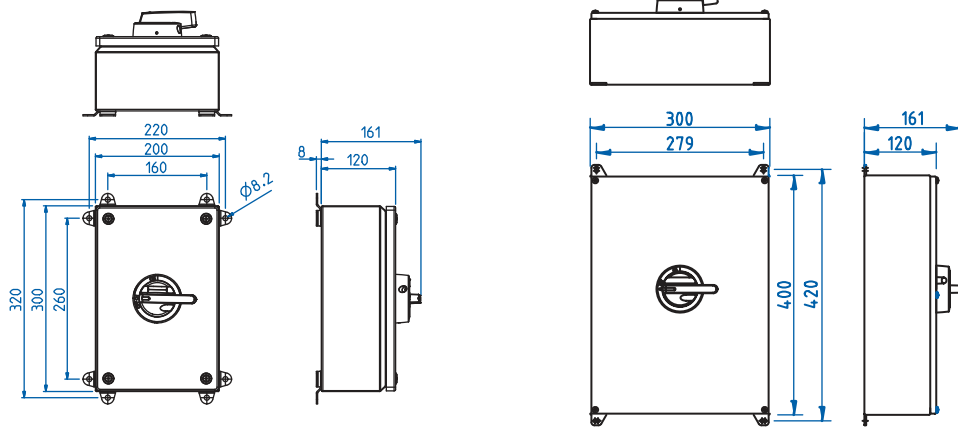


All Models are lockable with up to 3 padlocks.

## Catalog Number

	KER360UL98 Y/R KER360UL98		KER460UL98 Y/R KER460UL98		KER3100UL98 Y/R KER3100UL98		KER4100UL98 Y/R KER4100UL98	
<b>- Yellow/Red Handle</b>								
<b>- Black Handle</b>								
<b>No. of Poles*</b>	3		4		3		4	
<b>General Purpose Current</b>	60 A		60 A		100 A		100 A	
<b>Maximum Voltage</b>	600V AC		600V AC		600V AC		600V AC	
<b>Horsepower Rating /HP</b>	1 Phase	3 Phase	1 Phase	3 Phase	1 Phase	3 Phase	1 Phase	3 Phase
120V AC	3	—	3	—	5	—	5	—
240V AC	7.5	20	7.5	20	10	25	10	25
480V AC	—	40	—	40	—	50	—	50
600V AC	—	60	—	60	—	75	—	75
<b>Short Circuit Withstand Rating at 600 V</b>	50 kA/60 A Class J		50 kA/60 A Class J		50 kA/100 A Class J		50 kA/100 A Class J	
<b>Terminal Size Acceptability</b> (Cu Conductors only, 75°C)	8-1/0 AWG		8-1/0 AWG		8-1/0 AWG		8-1/0 AWG	
<b>Terminal Torque</b>	65lb. in. (6.0 Nm)		65lb. in. (6.0 Nm)		65lb. in. (6.0 Nm)		65lb. in. (6.0 Nm)	
<b>Screw Head Type</b>	4mm Allen Key		4mm Allen Key		4mm Allen Key		4mm Allen Key	
<b>Dimensions &amp; Size</b>	H01		H01		H02		H02	

(to convert to inches multiply by 0.03937)



<b>Weight</b>	3.3 kg	3.4 kg	6.9 kg	7.0 kg
---------------	--------	--------	--------	--------

## Suitable Accessories

### AUXILIARY SWITCHES



Cat. No.	1.V160KU	2.V160KU
<b>No. of Contacts</b>	1n.o./1n.c.	2n.o./2n.c.
<b>Electrical Rating</b>	16 A/1/2HP/125-250V AC	

\* 6 and 8 pole versions along with changeover version available upon request.

# UL98 Motor Disconnect Switch - Polycarbonate Enclosure



- Can be used locally at the motor
- UL Type 4X
- IEC IP65 Protection Level
- UV resistant
- Resistant to many chemicals
- Lockable - Defeatable Handle

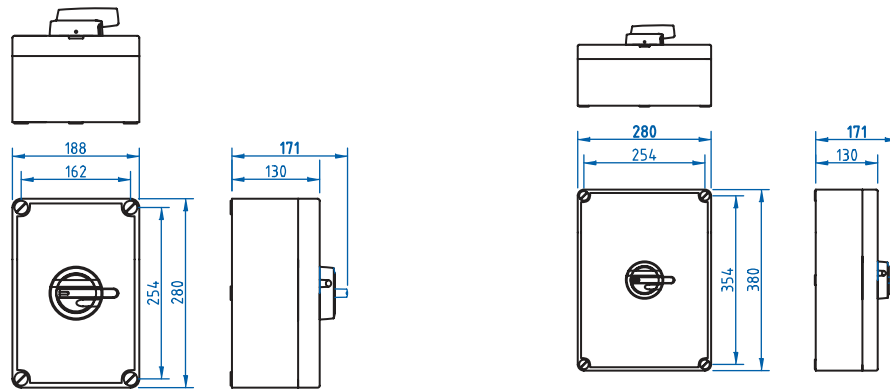


All Models are lockable with up to 3 padlocks.

## Catalog Number

	KEM360UL98 Y/R KEM360UL98		KEM460UL98 Y/R KEM460UL98		KEM3100UL98 Y/R KEM3100UL98		KEM4100UL98 Y/R KEM4100UL98	
<b>- Yellow/Red Handle</b>								
<b>- Black Handle</b>								
<b>No. of Poles*</b>	3		4		3		4	
<b>General Purpose Current</b>	60 A		60 A		100 A		100 A	
<b>Maximum Voltage</b>	600V AC		600V AC		600V AC		600V AC	
<b>Horsepower Rating /HP</b>	1 Phase	3 Phase	1 Phase	3 Phase	1 Phase	3 Phase	1 Phase	3 Phase
120V AC	3	—	3	—	5	—	5	—
240V AC	7.5	20	7.5	20	10	25	10	25
480V AC	—	40	—	40	—	50	—	50
600V AC	—	60	—	60	—	75	—	75
<b>Short Circuit Withstand Rating at 600 V</b>	50 kA/60 A Class J		50 kA/60 A Class J		50 kA/100 A Class J		50 kA/100 A Class J	
<b>Terminal Size Acceptability</b> (Cu Conductors only, 75°C)	8-1/0 AWG		8-1/0 AWG		8-1/0 AWG		8-1/0 AWG	
<b>Terminal Torque</b>	65lb. in. (6.0 Nm)		65lb. in. (6.0 Nm)		65lb. in. (6.0 Nm)		65lb. in. (6.0 Nm)	
<b>Screw Head Type</b>	4mm Allen Key		4mm Allen Key		4mm Allen Key		4mm Allen Key	
<b>Dimensions &amp; Size</b>	MF10		MF10		MF11UL		MF11UL	

(to convert to inches multiply by 0.03937)



<b>Weight</b>	2.4 kg	3.3 kg	2.5 kg	3.4 kg
---------------	--------	--------	--------	--------

## Suitable Accessories

### AUXILIARY SWITCHES



<b>Cat. No.</b>	1.V160KU	2.V160KU
<b>No. of Contacts</b>	1n.o./1n.c.	2n.o./2n.c.
<b>Electrical Rating</b>	16 A/1/2HP/125-250V AC	

\* 6 and 8 pole versions along with changeover version available upon request.



# We have a full line of High Quality Disconnect Switches & Accessories.

## FEATURES AND BENEFITS:

- One of the smallest 80 A switches in the industry
- Advanced switch technology (use of silver contacts ensures safe and durable operation)
- Across the line, motor starting - up to 75 hp/600 V
- General Use Rating - 16 A to 150 A/600 V
- Available as rotary switches for extended or direct handle applications
- Toggle switches
- Non-fused switch
- Short Circuit Withstand Rating of 10 kA with back-up fuse
- DIN Rail and panel mount available
- Comprehensive range of accessories
- Snap on auxiliary contacts
- Enclosed switches have UL Listed Type 4 and/or 4X rating; watertight
- Operating temperature is -20°C to +40°C

Altech Corporation  
35 Royal Road  
Flemington, NJ 08822-6000  
P 908.806.9400 • F 908.806.9490  
www.altechcorp.com



Altech Corp.® 444UL98-2000  
Printed June 2019



## UL60947-4-1A (Formerly UL508) Listed Manual Motor Controllers

with Disconnecting Means



AC Motor Across-The-Line  
AC General Use