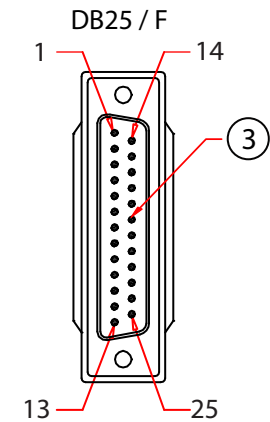
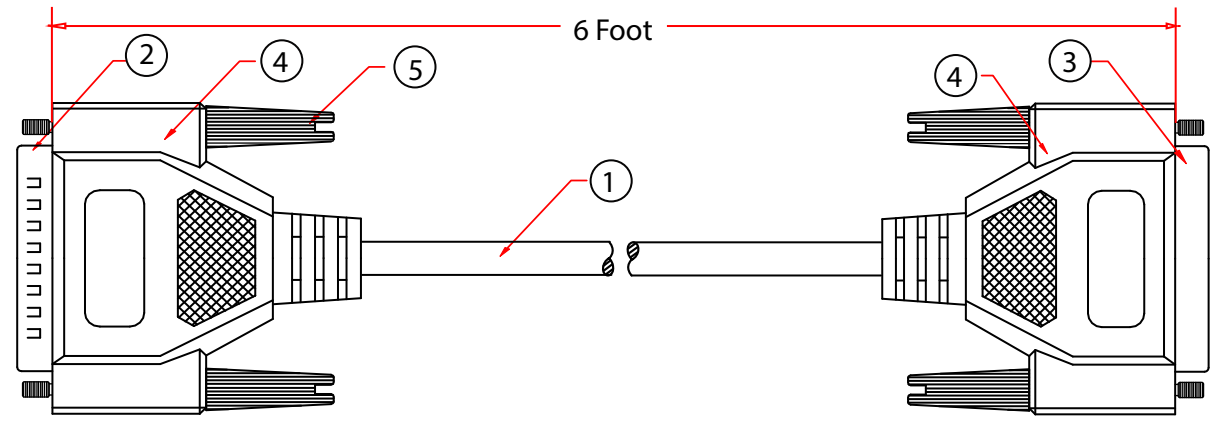
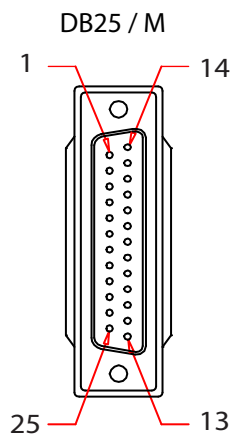
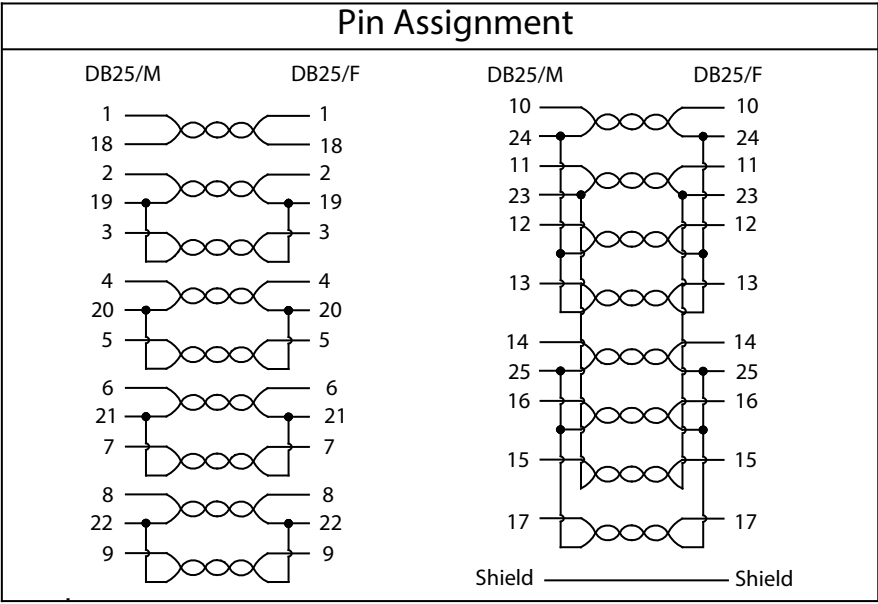


Rev.	Description	Date
A		05-2019



RoHS



5	#4-40 Molded Thumbscrew, Color Beige	Item Number:		
4	Beige Molded PVC Hood, Fully Shielded w/AL-Foil	Title:	Bidirectional Printer Cable, DB25 Male to DB25 Female, 18 Twisted Pairs, A/A Type, 6 foot	
3	D-Sub 25 Pin Female, w/Gold Plating Contacts	Drawn by:		JL
2	D-Sub 25 Pin Male, w/Gold Plating Contacts	Approved by:		MAC
1	IEEE-1284, 28AWG 18 Twisted Pairs + Drain Wire, Double Shielded with AL-Foil & Copper Braid, Beige Outer PVC Jacket	ID:	1	
No.	Specifications			