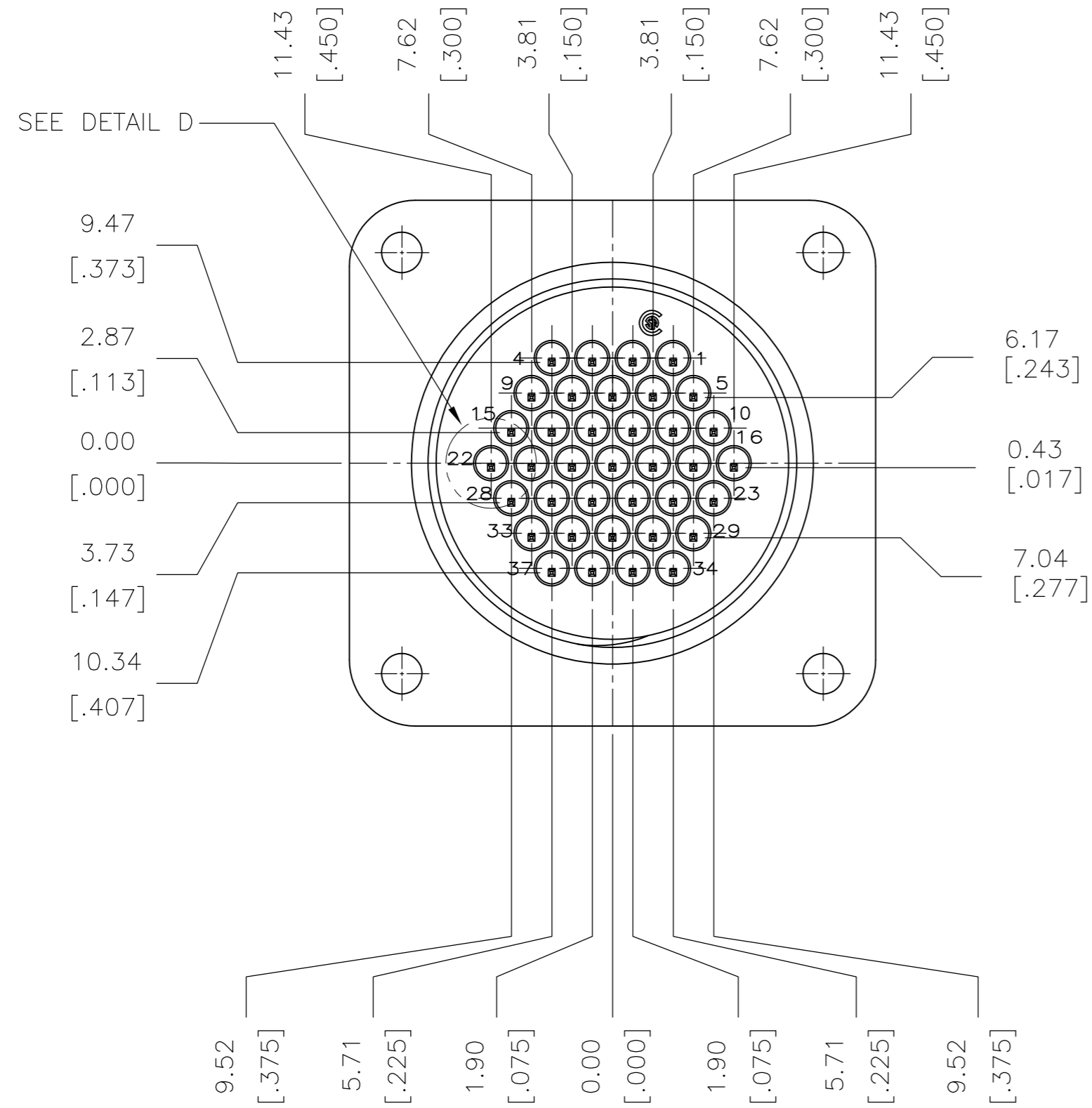
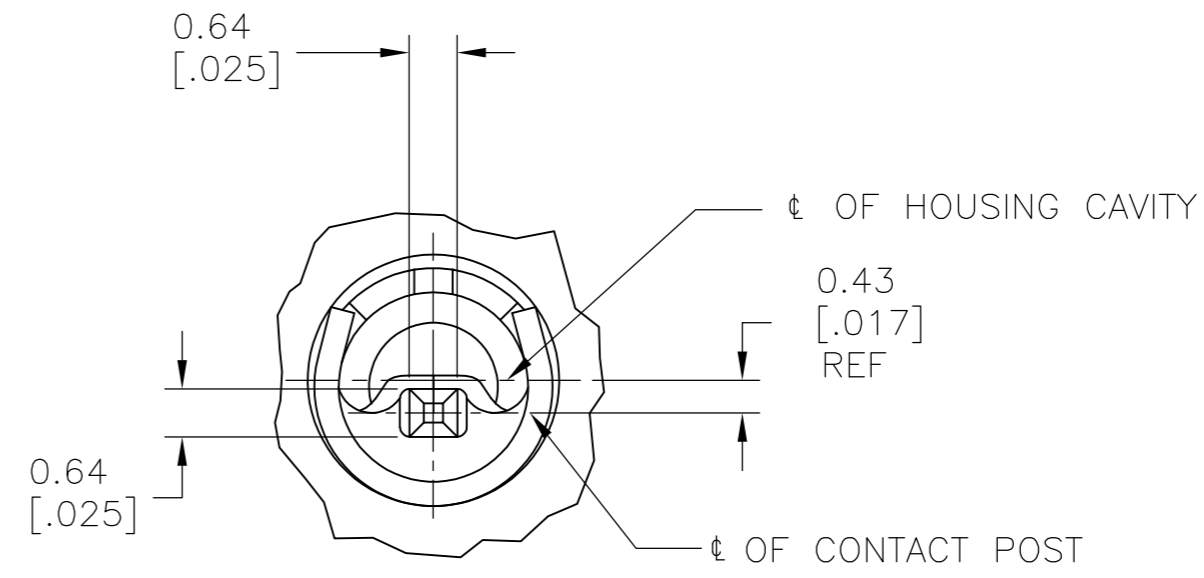


THIS DRAWING IS UNPUBLISHED. RELEASED FOR PUBLICATION
 © COPYRIGHT - By - ALL RIGHTS RESERVED.

LOC		DIST		REVISIONS			
P	LTR	DESCRIPTION	DATE	DWN	APVD		
BD	35	SEE SHEET 1	-	-	-		



REAR VIEW



DETAIL D
SCALE 10:1
TYP

2267123

THIS DRAWING IS A CONTROLLED DOCUMENT.		DWN 07JUN2014 NAGALAKSHMI K	STE TE Connectivity			
DIMENSIONS: mm [INCHES]		CHK 07JUN2014 ZITTO, MARK				
TOLERANCES UNLESS OTHERWISE SPECIFIED:		APVD 07JUN2014 ZITTO, MARK	NAME POSTED RECEPTACLE ASSEMBLY, STD SEX, SERIES 1, 28-37, CMC			
0 PLC ± - 1 PLC ± - 2 PLC ± 0.13[.005] 3 PLC ± - 4 PLC ± - ANGLES ± -		PRODUCT SPEC 108-10040	SIZE A2	CAGE CODE 00779	DRAWING NO C=2267123	
MATERIAL SEE CALLOUT		FINISH SEE CALLOUT	WEIGHT -	RESTRICTED TO -		
		CUSTOMER DRAWING		SCALE 2:1	SHEET 2 OF 2	REV A