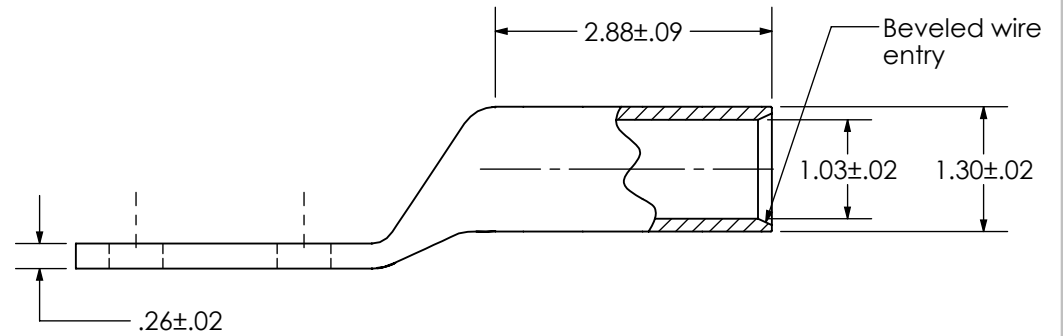
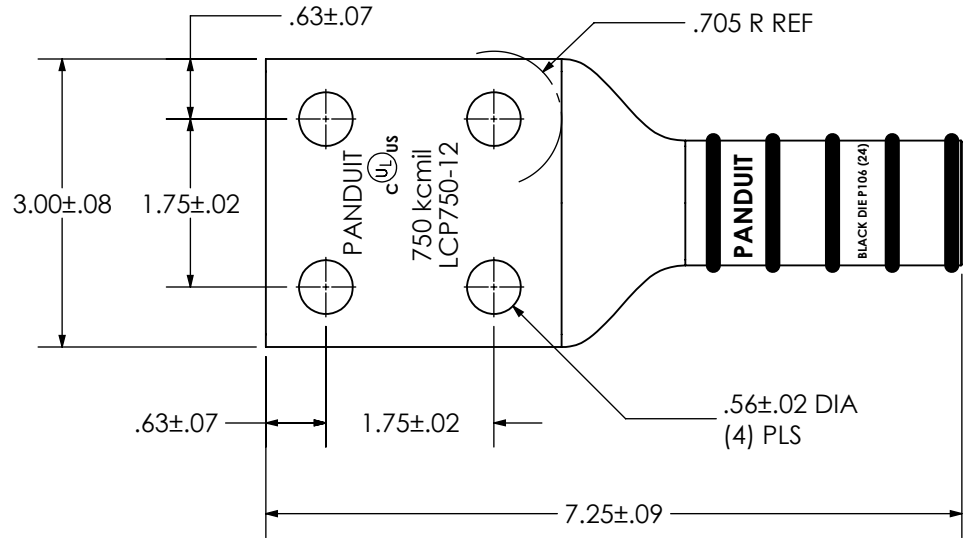


THIS COPY IS PROVIDED ON A RESTRICTED BASIS AND IS NOT TO BE USED IN ANY WAY DETRIMENTAL TO THE INTERESTS OF PANDUIT CORP.

Material	High Conductivity Seamless Copper Tube
Plating	Electro-Tin
Wire Size	750 kcmil
Wire Type	Stranded Copper; Class B: Compact, Compressed or Concentric, Class C: Concentric
Wire Strip Length	2-15/16 in.
Stud Size	1/2 in.
UL Listed Wire Connector	Yes, for applications up to 35kv. Consult cable manufacturer for voltage stress relief instructions with applications greater than 2000 volts.
UL Temperature Rating	90° C
C.S.A. Certified Wire Connector	N/A
Panduit Color Code on Barrel	BLACK
Panduit Die Index No. on Barrel	P106
Alternate Industry Die Index No. () on Barrel	(24)



REV	DATE	BY	CHK	DESCRIPTION	ECN
01	9/17	JHNU	JHNU	REVISED DIMENSIONS, TOLERANCES	014695
00	11/16	JHNU	JHNU	DRAWING RELEASED	

PANDUIT CORP. TINLEY PARK, ILLINOIS

LCP750-12-3
Copper Lug - Four Hole, Long Barrel

SCALE N/A DRAWING NO / CAD FILE LCP750-12-CUST