

1-967624-5 ✓ ACTIVE



Junior Power Timer

TE Internal #: 1-967624-5

Housing for Female Terminals, Wire-to-Board / Wire-to-Wire, 18 Position, .197 in [5 mm] Centerline, Blue, Wire & Cable, Signal, Junior Power Timer

[View on TE.com >](#)

Connectors > Automotive Connectors > Automotive Housings > Timer Connector Housing



Connector & Housing Type: **Housing for Female Terminals**

Mating Tab Width: **2.8 mm [.11 in]**

Connector System: **Wire-to-Board, Wire-to-Wire**

Number of Positions: **18**

Centerline (Pitch): **5 mm [.197 in]**

[All Timer Connector Housing \(589\)](#)

Features

Product Type Features

| | |
|-----------------------------------|------------------------------|
| Connector Shape | Rectangular |
| Connector & Housing Type | Housing for Female Terminals |
| Connector System | Wire-to-Board, Wire-to-Wire |
| Sealable | No |
| Hybrid Connector | No |
| Primary Locking Feature | On the Terminal |
| Connector & Contact Terminates To | Wire & Cable |

Configuration Features

| | |
|---------------------|----|
| Number of Positions | 18 |
| Number of Rows | 3 |

Electrical Characteristics

| | |
|------------------------------|------|
| Nominal Voltage Architecture | 28 V |
|------------------------------|------|



Body Features

| | |
|-------------------------|------|
| Cable Exit Angle | 180° |
| Primary Product Color | Blue |
| Connector & Keying Code | A |

Contact Features

| | |
|------------------------------|----------------|
| Contact Size | 2.8mm |
| Contact Type | Receptacle |
| Mating Tab Width | 2.8 mm[.11 in] |
| Contact Current Rating (Max) | 30 A |

Mechanical Attachment

| | |
|-----------------------------|----------------------------|
| Terminal Position Assurance | Yes |
| Strain Relief | Without |
| Mating Alignment Type | Keyed |
| Mating Alignment | With |
| Connector Mounting Type | Cable Mount (Free-Hanging) |

Housing Features

| | |
|--------------------|---------------|
| Housing Material | PBT GF |
| Centerline (Pitch) | 5 mm[.197 in] |

Dimensions

| | |
|--------------------|-------------------|
| Connector Height | 26.5 mm[1.043 in] |
| Product Width | 26.5 mm[1.04 in] |
| Product Length | 34.8 mm[1.37 in] |
| Row-to-Row Spacing | 5.5 mm[.217 in] |

Usage Conditions

| | |
|-----------------------------|----------------------------|
| Operating Temperature (Max) | 100 °C[212 °F] |
| Operating Temperature Range | -30 – 100 °C[-22 – 212 °F] |

Operation/Application

| | |
|---------------------|--------|
| Circuit Application | Signal |
|---------------------|--------|

Packaging Features

| | |
|------------------|--------|
| Packaging Method | Carton |
|------------------|--------|

Other

| | |
|-------------|----|
| Serviceable | No |
|-------------|----|

Connector Position Assurance Capable

No

Product Compliance

For compliance documentation, visit the product page on [TE.com](#)>

EU RoHS Directive 2011/65/EU

Compliant

EU ELV Directive 2000/53/EC

Compliant

China RoHS 2 Directive MIIT Order No 32, 2016

No Restricted Materials Above Threshold

EU REACH Regulation (EC) No. 1907/2006

Current ECHA Candidate List: JUNE 2023 (235)
 Candidate List Declared Against: JAN 2023 (233)
 Does not contain REACH SVHC

Halogen Content

BFR/CFR/PVC Free, but Br/Cl >900 ppm in other sources.

Solder Process Capability

Not applicable for solder process capability

Product Compliance Disclaimer

This information is provided based on reasonable inquiry of our suppliers and represents our current actual knowledge based on the information they provided. This information is subject to change. The part numbers that TE has identified as EU RoHS compliant have a maximum concentration of 0.1% by weight in homogenous materials for lead, hexavalent chromium, mercury, PBB, PBDE, DBP, BBP, DEHP, DIBP, and 0.01% for cadmium, or qualify for an exemption to these limits as defined in the Annexes of Directive 2011/65/EU (RoHS2). Finished electrical and electronic equipment products will be CE marked as required by Directive 2011/65/EU. Components may not be CE marked. Additionally, the part numbers that TE has identified as EU ELV compliant have a maximum concentration of 0.1% by weight in homogenous materials for lead, hexavalent chromium, and mercury, and 0.01% for cadmium, or qualify for an exemption to these limits as defined in the Annexes of Directive 2000/53/EC (ELV). Regarding the REACH Regulation, the information TE provides on SVHC in articles for this part number is based on the latest European Chemicals Agency (ECHA) 'Guidance on requirements for substances in articles' posted at this URL: <https://echa.europa.eu/guidance-documents/guidance-on-reach>

Compatible Parts



TE Part # 967634-1
2. RETAINER FOR 18POS



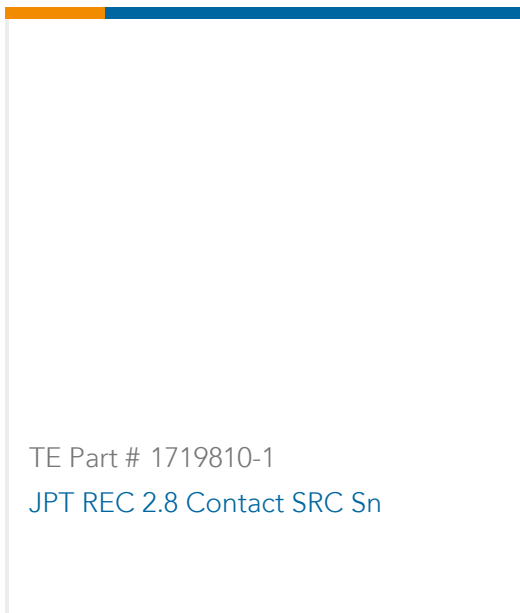
TE Part # CAT-T4827-T273
TIMER, RECEPTACLE AND TAB



TE Part # 3-966140-1
MESSERLEISTE 18P



TE Part # 1-967629-0
TAB HOUSING, 2.8MM, 18POS.



TE Part # 1719810-1
JPT REC 2.8 Contact SRC Sn



TE Part # 1-927768-1
JPT REC 2.8 Contact SRC Au

Also in the Series | Junior Power Timer



Automotive Connector Caps & Covers (5)



Automotive Housings(252)



Automotive Terminals(86)



Busbars & Terminals(1)



Connector Seals & Cavity Plugs(10)



Insertion & Extraction Tools(8)



Module Components(6)



Other Automotive Connector Accessories(1)

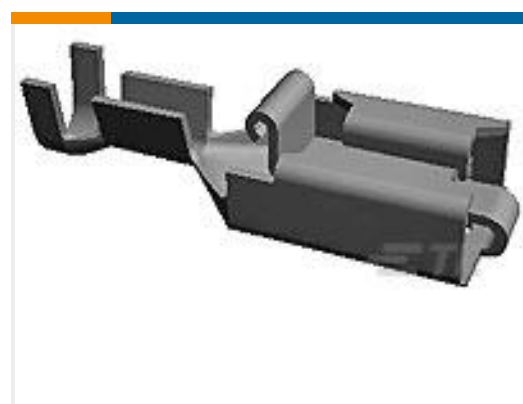


PCB Headers & Receptacles(1)

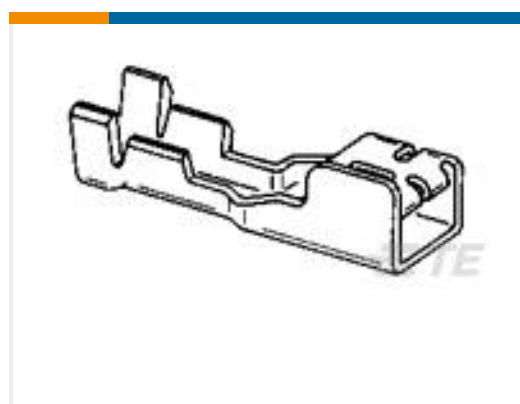
Customers Also Bought



TE Part #1-967625-5
Timer Connector Housing



TE Part #160759-1
PL 250 TERMINAL REC 0.5-1.5 MM2 BR



TE Part #142685-3
L.I.F PL CONTACT 5MM 0.35-1 MM2 PTPPHBZ



TE Part #2-880490-2
FUSE CONTACT - BUS



Documents

Product Drawings

JUN-POW-TIM GEH 18P

English

CAD Files

3D PDF

3D

Customer View Model

[ENG_CVM_CVM_1-967624-5_C.2d_dxf.zip](#)

English

Customer View Model

[ENG_CVM_CVM_1-967624-5_C.3d_igs.zip](#)

English

Customer View Model

[ENG_CVM_CVM_1-967624-5_C.3d_stp.zip](#)

English

By downloading the CAD file I accept and agree to the [Terms and Conditions](#) of use.

Datasheets & Catalog Pages

Timer Interconnection System

English

Product Specifications

Product Specification

English

Product Specification

English