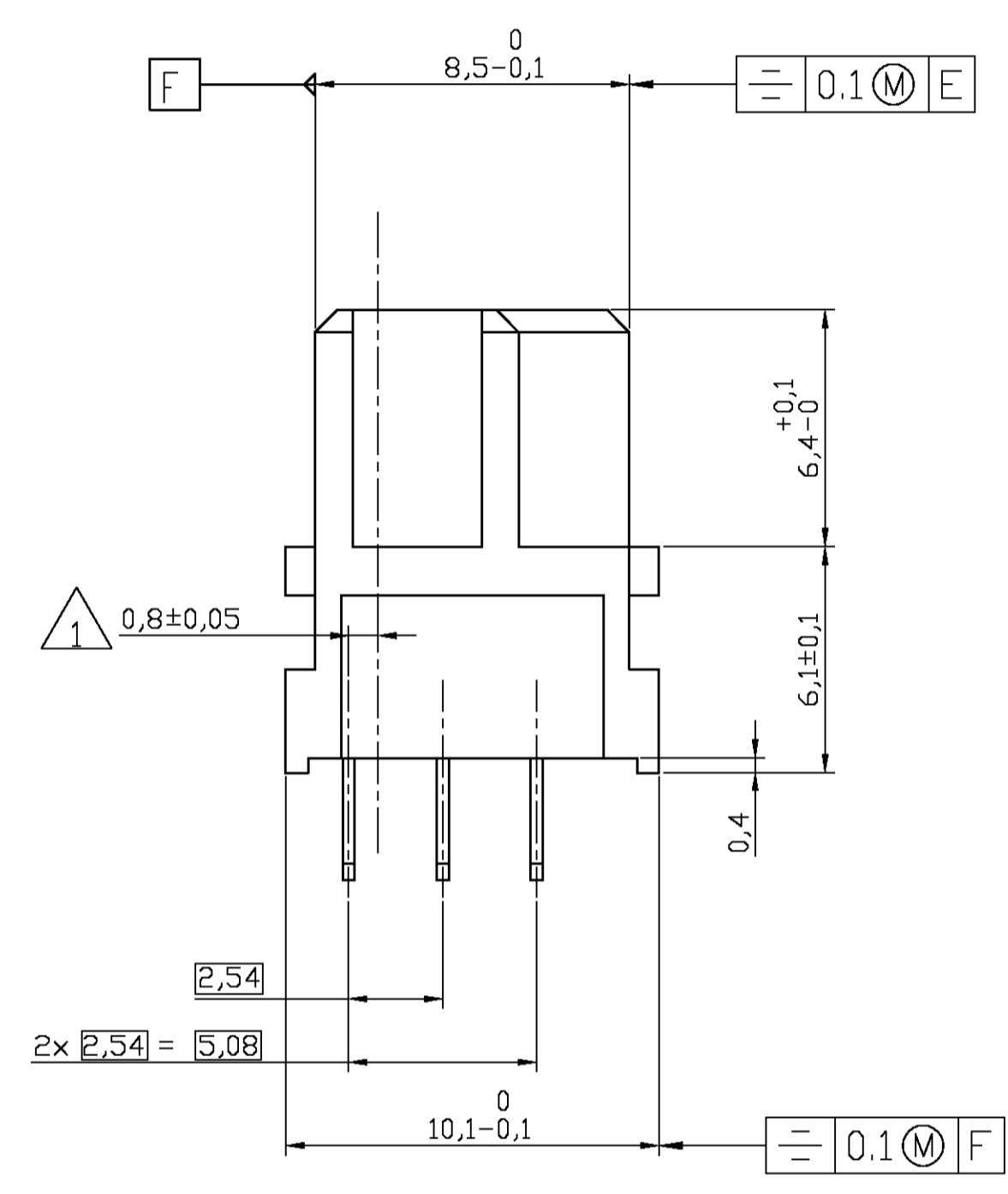
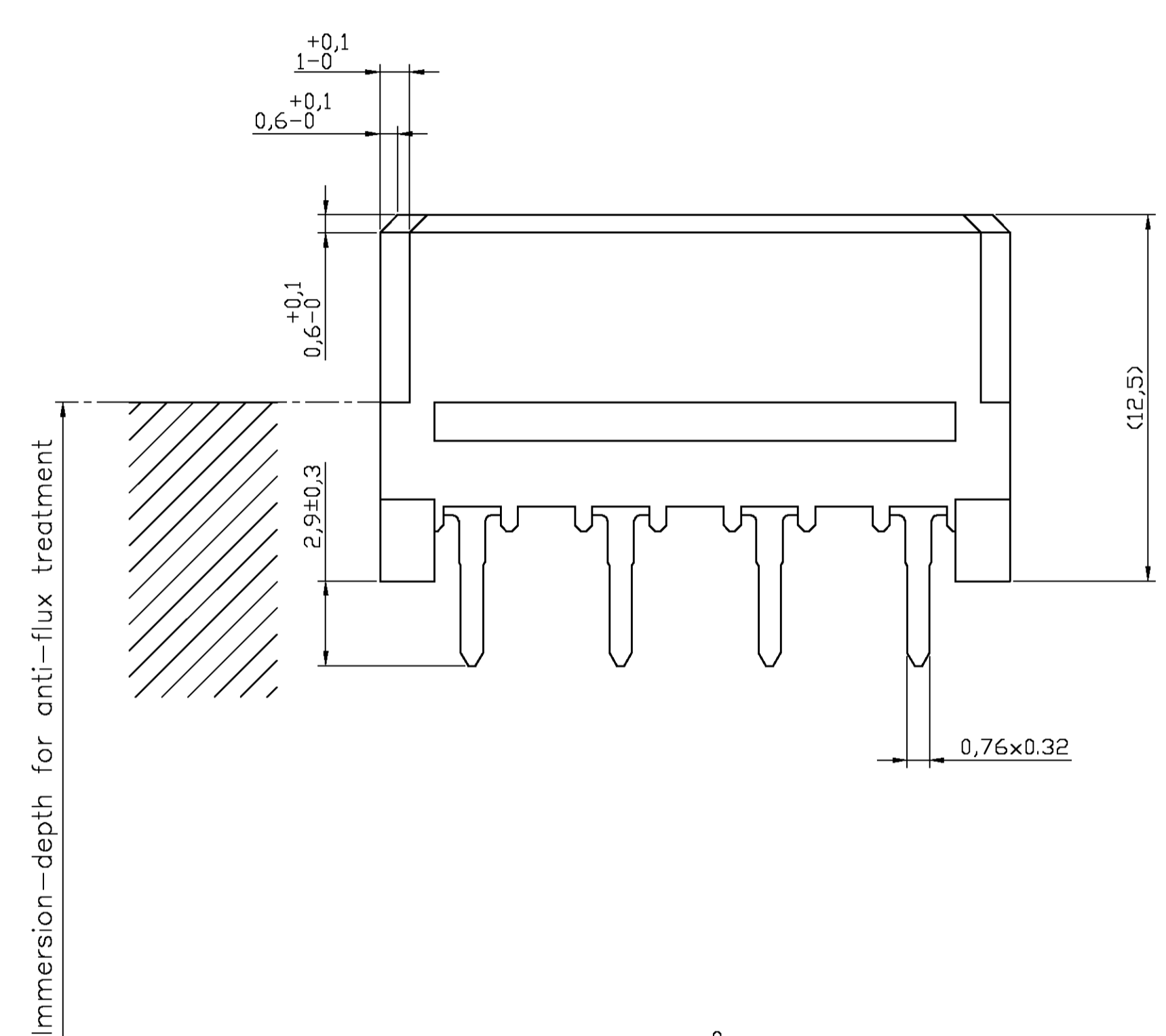


Loading Pattern (12 contacts)

	1	2	3	4	5	6	7
Row a	+	o	+	o	+	o	+
Row b	+	o	+	o	+	o	+
Row c	+	o	+	o	+	o	+

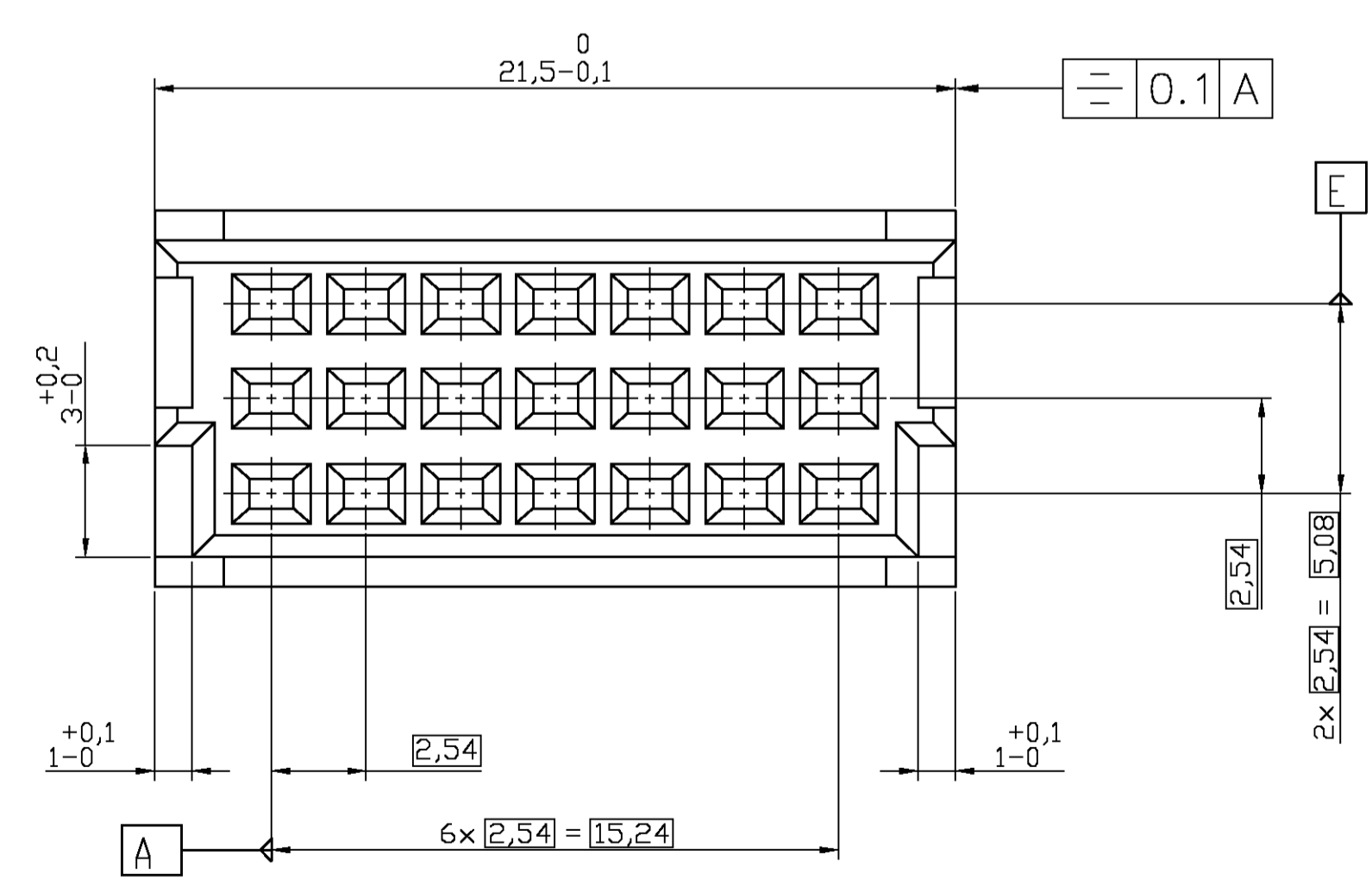
+ = contact  
 o = no contact



Specifications acc. IEC 603-2. Performance Level 2

Housing : PBTP 30% Glasfilled (UL94-V0)  
 Pebblegrey similar RAL 7032

Contact material : Copper Alloy  
 Plating : Contact area : PdNi+Au or Au  
 Termination area : Sn  
 with flux-tight coating.



⚠ Center-displacement between termination- and contact-side.

Active Partnumber. Contact Tyco Electronics for other configuration availability

Old Partnumber	Tyco Part-number
V42254-F2299-R8	1982300-1

THIS DRAWING IS A CONTROLLED DOCUMENT.		DIN J.LOONEN 25JAN07		Tyco Electronics Corporation		
DIMENSIONS: mm		GIK B.MOOIJ 25JAN07		's-Hertogenbosch.522AR-32		
TOLERANCES UNLESS OTHERWISE SPECIFIED:		APVD J.BROEKSTEEG 25JAN07	EUROCARD RECEPTACLE ASSY, TYPE R21/12 POS			
0 PLC ± -	1 PLC ± 0.1	APPLICATION SPEC				
2 PLC ± 0.05	3 PLC ± -	SIZE CAGE CODE DRAWING NO				
4 PLC ± -	ANGLES ± 1	A1 00779 C=1982300-1				
MATERIAL -	FINISH -	WEIGHT -		RESTRICTED TO		
CUSTOMER DRAWING		SCALE 1:5		SHEET 1 OF 1 REV A		