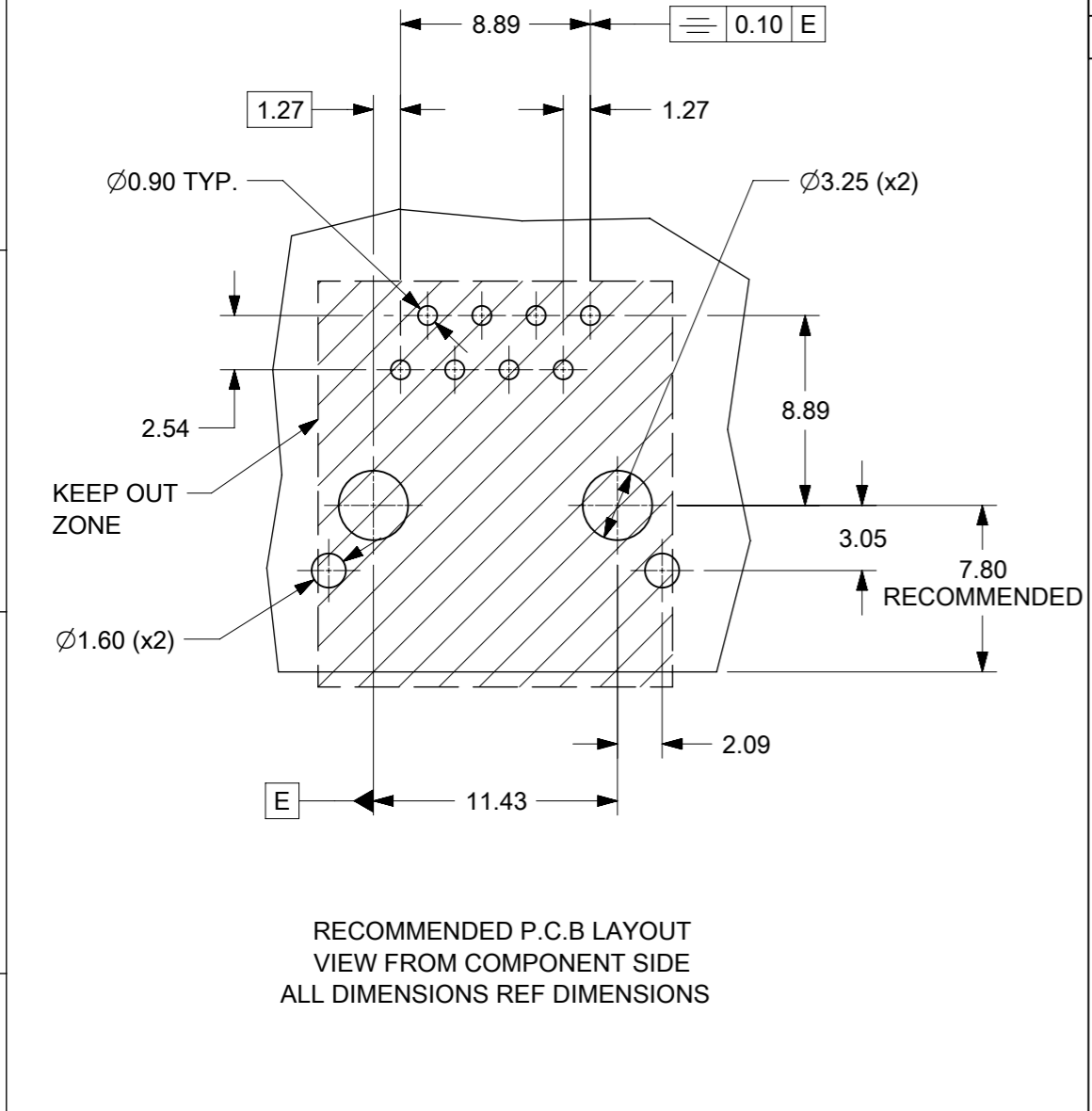
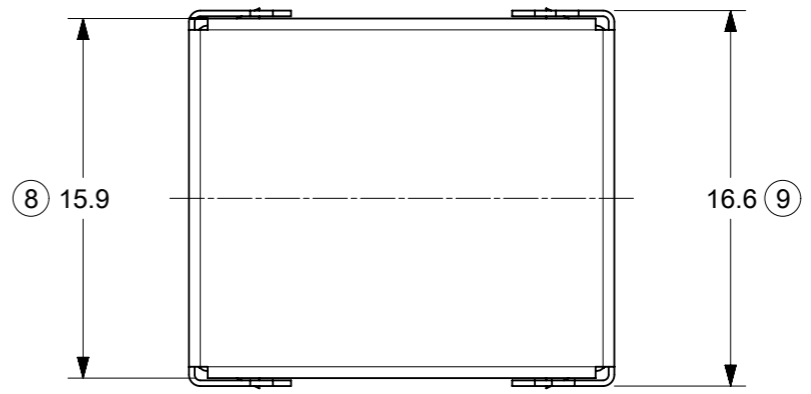
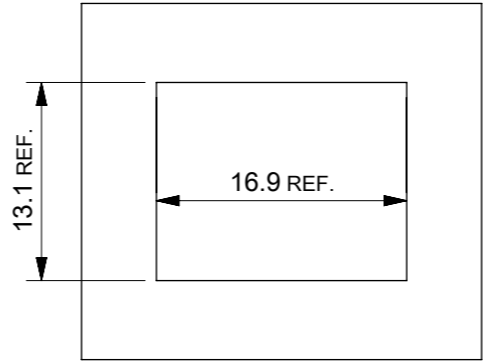


PART NO.	PACKAGING SPEC.
95622-3981	PK-95122-006



SUGGESTED PANEL CUTOUT
SCALE 2:1



RECOMMENDED P.C.B LAYOUT
VIEW FROM COMPONENT SIDE
ALL DIMENSIONS REF DIMENSIONS

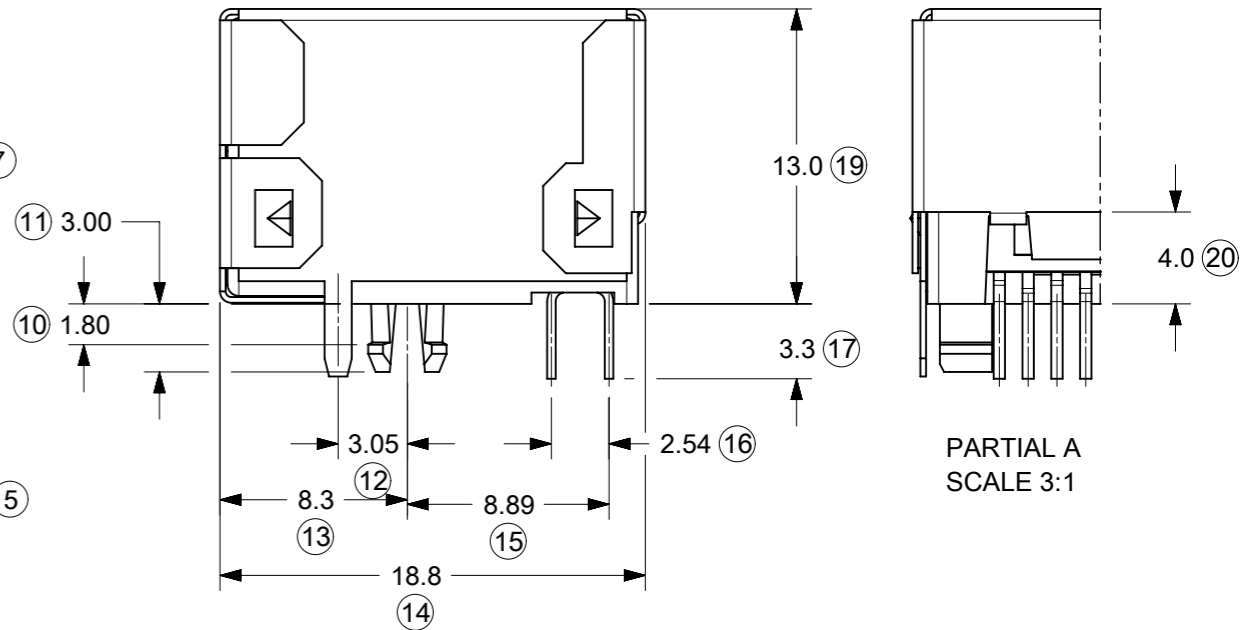
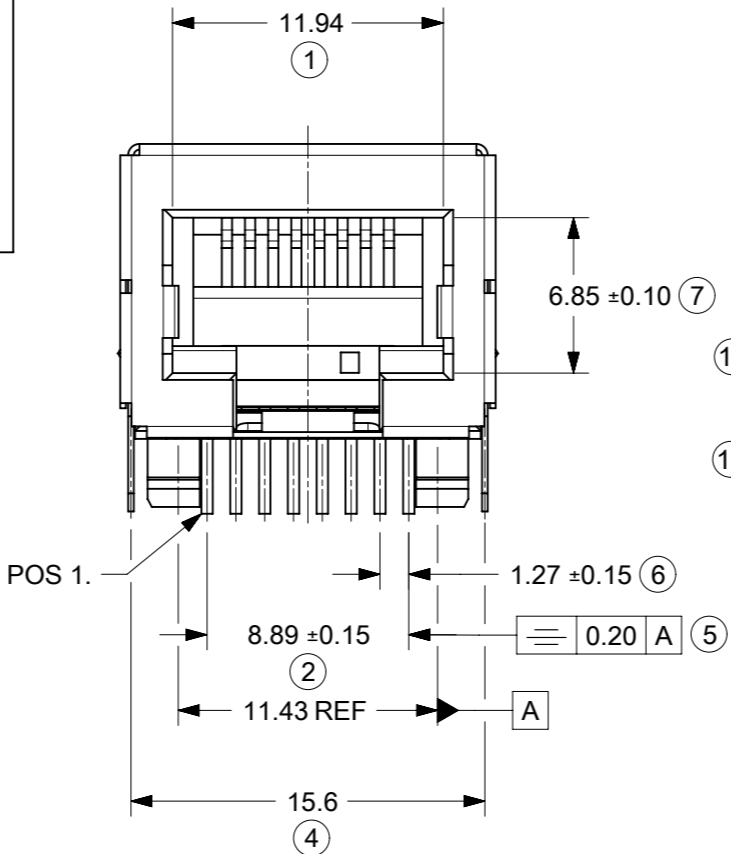
TECHNICAL SPECIFICATIONS:

MATERIAL:
HOUSING: LCP GLASS FILLED UL 94-V0, COLOUR BLACK.
TERMINAL: COPPER ALLOY PLATED WITH:
BASE FINISH: NICKEL
CONTACT SURFACE FINISH:
GOLD
OR
GOLD FLASH OVER PALLADIUM NICKEL.
EXCEEDS PRODUCT REQUIREMENTS BASED ON PS-95622-001
SHIELD: COPPER ALLOY PLATED WITH TIN.

NOTES:

- JACK FOR MATING WITH SHIELDED PLUG MOLEX 95043 AND 85568 SERIES.
- PRODUCT SPECIFICATION: MOLEX PS-95622-001.
- P.C.B. THICKNESS: 1.57
- PACKAGING SPECIFICATION: SEE CHART. TUBE PACKAGING.
- APPLICATION SPECIFICATION: AS-85513-001

LAST INSPECTION NO.: 20
REMOVED INSPECTION NO: 3, 18



PARTIAL A
SCALE 3:1

THIS DRAWING CONTAINS INFORMATION THAT IS PROPRIETARY TO MOLEX ELECTRONIC TECHNOLOGIES, LLC AND SHOULD NOT BE USED WITHOUT WRITTEN PERMISSION		CURRENT REV DESC: ADDED PANEL CUTOUT			
DIMENSION UNITS	SCALE				
mm	3:1			PRODUCT CUSTOMER DRAWING	
GENERAL TOLERANCES (UNLESS SPECIFIED)		EC NO: 735778		DOCUMENT NUMBER	
ANGULAR TOL ± 2.0°		DRWN: ASWINA		SD-95622-003	
4 PLACES ±		2022/12/26		DOC TYPE DOC PART REVISION	
3 PLACES ±		2023/01/27		PSD 001 G2	
2 PLACES ± 0.25		APPR: KLANG		MATERIAL NUMBER	
1 PLACE ± 0.35		INITIAL REVISION:		CUSTOMER	
0 PLACES ±		2006/07/27		GENERAL MARKET	
DRAFT WHERE APPLICABLE MUST REMAIN WITHIN DIMENSIONS		THIRD ANGLE PROJECTION		SHEET NUMBER	
		DRAWING		1 OF 1	
		SERIES			
		A3-SIZE			
		95622			