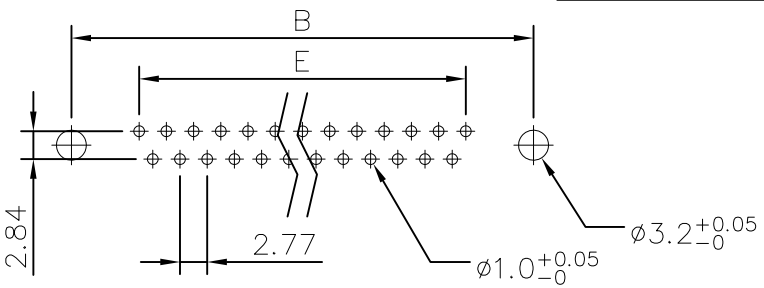
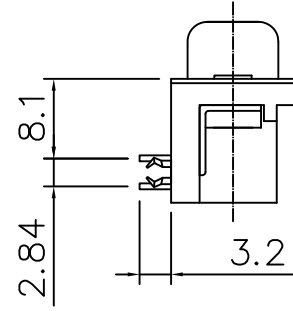
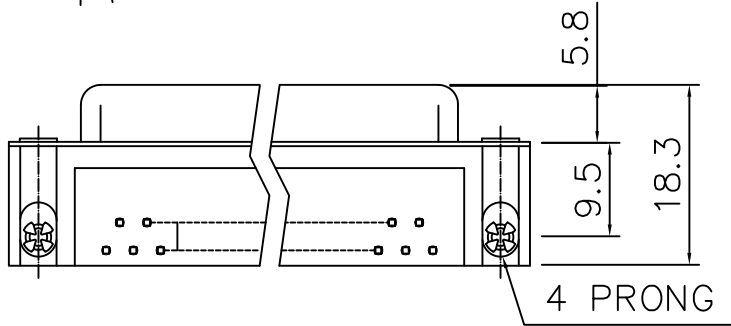
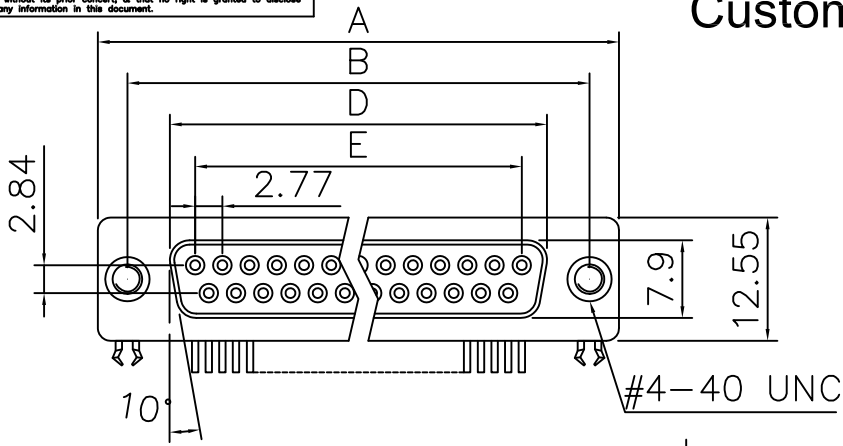


This document is the property of Amphenol Corporation and is delivered on the express condition that it is not to be disclosed, reproduced or used, in whole or in part, for manufacture or sale by anyone other than Amphenol Corporation without its prior consent, & that no right is granted to disclose or to use any information in this document.

# Customer Drawing



RECOMMENDED PCB LAYOUT  
TOLERANCE±0.05

## Dimensions

Positions	A	B	D	E
9	30.81	24.99	16.33	11.08
15	39.20	33.30	24.70	19.39
25	53.05	47.04	38.40	33.24
37	69.40	63.50	54.80	49.86

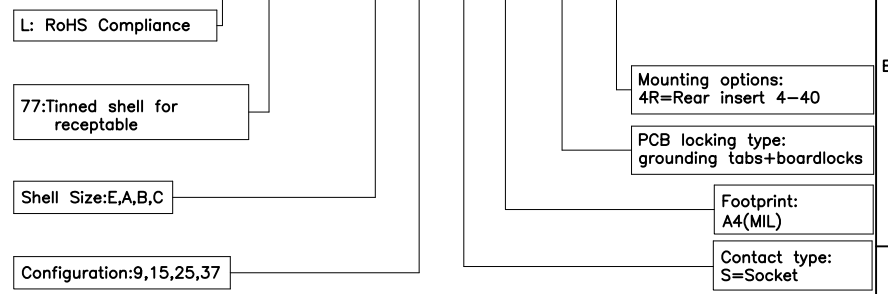
REVISIONS				
SYM	ECN	DESCRIPTION	DATE	APPROVED
1	HK--	First Release Drawing	12/02/10	IP
2	HK--	Update The Drawing	12/14/11	IP
3	HK--	Update The Drawing	05/28/13	IP

## D-SUB TECHNICAL DATA

SHELL : Steel 100u" min tin over 50u" min nickel over 50u" min Copper  
 BODY : Glass-Filled Thermoplastic PBT, UL94V-0  
 CONTACTS : Copper alloy  
 Gold flash over 50u" min nickel on mating area.  
 100u" min tin over 50u" min nickel on solder area.  
 BOARDLOCK: Brass, Tin Plated.  
 ELECTRICAL : Voltage rating 250 V Rms to 60Hz  
 Current rating 3AMP  
 Withstanding Voltage >1000 V Rms 60Hz for one minute  
 Insulation resistance >1000 M Ohms  
 Contact resistance 20 mOhms max.  
 MARKING : Amphenol...(Series No.)  
 Commercial reference  
 Manufacturing date

## PRODUCT CODE

L 77 SD X XX S A4 CH 4R



UNLESS OTHERWISE SPECIFIED TOLERANCES		APPROVAL		DATE
U.S.	METRIC	DRAWN	FILED	05/28/13
.X +/-	0.50			
.XX +/-	0.30	CHECKED Tony Tang		05/28/13
.XXX +/-	0.20	CHECKED		
FRACTIONS +/-				
ANGLES +/-	5'			
FOR MATERIALS AND FINISHES SEE NOTES		DRAWING FILE :		
REMOVE SHARP EDGES		ANGLE OF PROJECTION		
DIMENSIONS				
U.S.	INCHES			
METRIC	MM			

Amphenol		
Amphenol East Asia Limited		
TITLE Stamped and formed contact,SD series		
SIZE	DRAWING NO.	REV.
A4	C L77SDXXXA4CH4R	3
SCALE	NONE	SHEET 1 OF 1