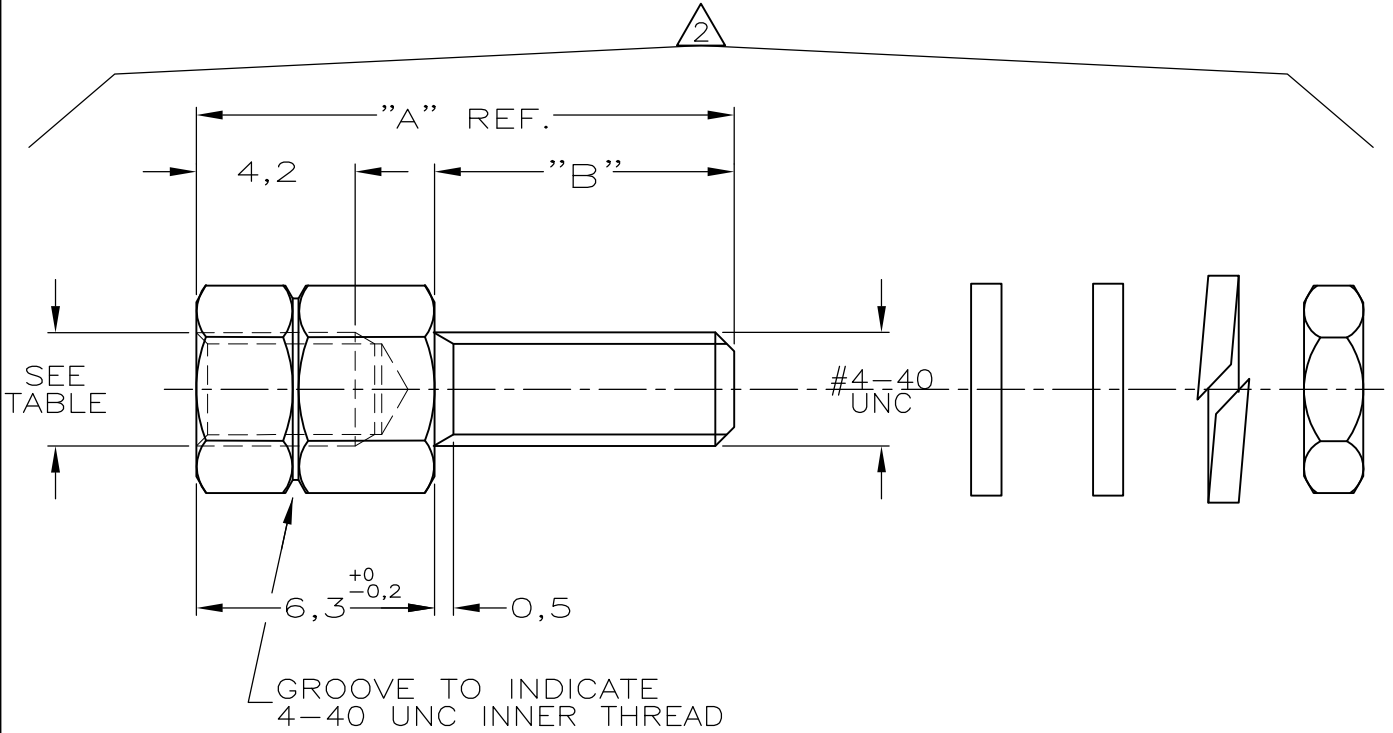


LOC	DIST	REVISIONS					
		P	LTR	DESCRIPTION	DATE	DWN	APVD
—	—		B	H-9720	21-04-92	S.M.	C.V.T.
			B1	REVISED PER ECO-09-023313	13OCT09	KK	AEG
			B2	ECR-10-026542	05JAN11	KK	HMR

NOTES:

- 1 PARTS PACKED UNASSEMBLED
- 2 THIS KIT CONTAINS TWO SCREWLOCK ASSEMBLIES.
- 3 FEMALE SCREWLOCK :BRASS
NUT AND RINGS :STEEL
- 4 OBSOLETE PARTS: OBSOLETE CIS STREAMLINING PER D.RENAUD/D.SINISI
- 5 OBSOLETE



M3	11,0	17,2	TINPLATED	BRASS	828347-6	4
4-40 UNC	11,0	17,2			828347-5	
M3	9,7	15,9			828347-4	5
M3	5,0	11,2			828347-3	4
4-40 UNC	9,7	15,9			828347-2	
4-40 UNC	5,0	11,2			828347-1	
THREAD	DIM "B"	DIM "A"	FINISH	MATERIAL	ORDERNUMBER	

RELEASED FOR PUBLICATION

ALL RIGHTS RESERVED.

THIS DRAWING IS UNPUBLISHED.

COPYRIGHT - By -

DIMENSIONS: mm	DWN D.KESSLER.	02-04-91	MATERIAL	-	FINISH	-	
	CHK C.v.TILBURG.	23-04-91					
TOLERANCES UNLESS OTHERWISE SPECIFIED:	APVD L.v.SOEST.	25-04-91					
0 PLC ± -	PRODUCT SPEC	-	NAME AMPLIMITE,KIT,FEMALE SCREWLOCK ASSEMBLY				
1 PLC ± -	APPLICATION SPEC	-					
2 PLC ± -	WEIGHT	-	SIZE	A4	CAGE CODE	00779	
3 PLC ± -			DRAWING NO	C-828347		RESTRICTED TO	-
4 PLC ± -			CUSTOMER DRAWING	SCALE	-	SHEET	1 OF 1
ANGLES ± -							