

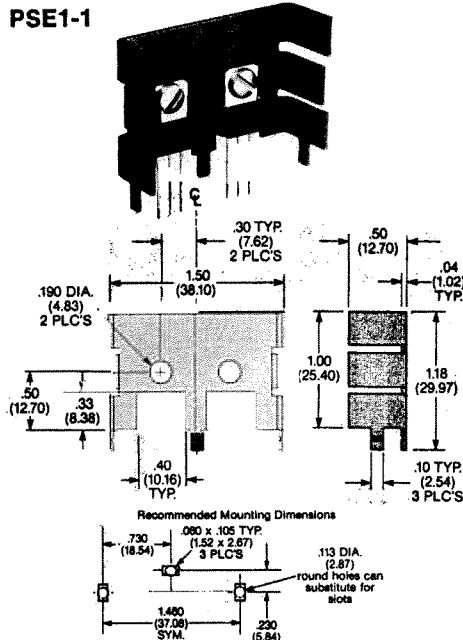
# SECTION 2

## HEAT DISSIPATORS FOR PLASTIC CASE, CASE-MOUNTED SEMICONDUCTORS

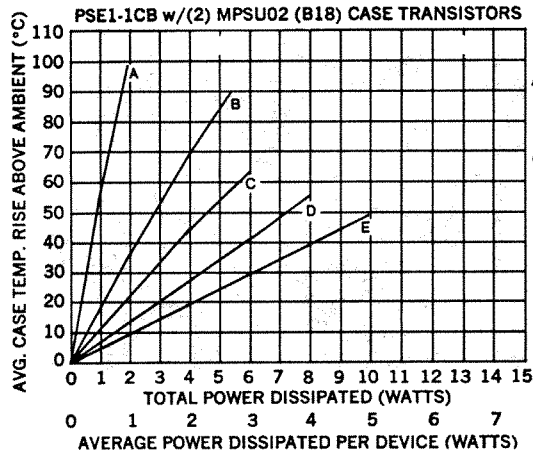
### Stand-up, dual-mounted heat dissipators

- Thermally matches two semiconductors within 2°C at equivalent power levels up to 9 watts per semiconductor, permitting paired semiconductors to function more nearly identical.
- Effective alternative to back-to-back semiconductor mounting; eliminates lead interferences.
- Minimizes board space requirements while providing effective heat dissipation.
- Bend relief notches on mounting tabs permit easy installation with no mounting hardware or special tools required.
- Each dissipator of this series is specifically designed for use with a particular transistor case type — performance and fit are optimized.

**PSE1-1**



Dimensions are for reference use only. Contact IERC for dimensions with tolerances or standard part drawings.



DESCRIPTION OF CURVES

- A. N.C. Horiz. Device Only Mounted to G-10.
- B. N.C. Horiz. & Vert. With Dissipator.
- C. 200 FPM w/Diss.
- D. 500 FPM w/Diss.
- E. 1000 FPM w/Diss.

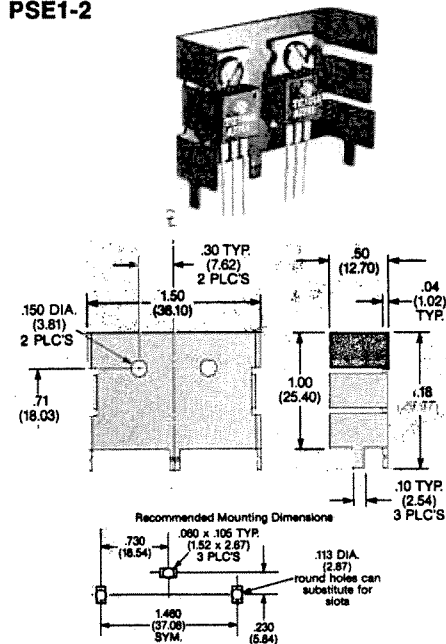
- Thermal Resistance Case to Sink is 1.9-2.3 °C/W w/Joint Compound.
- Derate 6.4 °C/watt per device for unplated part in natural convection only.
- Case Temperatures Match Within 2°C at equivalent power levels.

#### Ordering Information

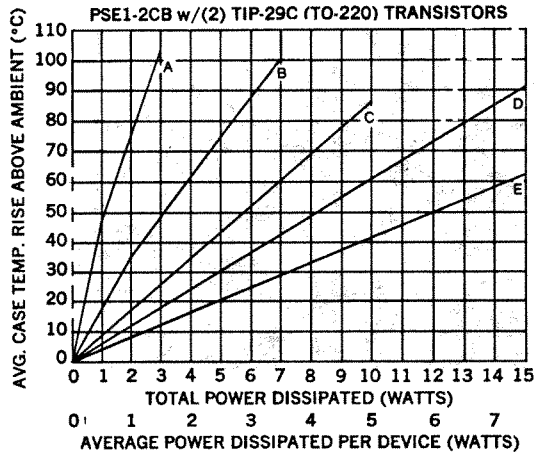
IERC PART NO.					Semiconductor Accommodated	Max. Weight (Grams)
Unplated	Comm'l. Black Anodize	Mil. Black Anodize	Nickel	Black Coating with Solderable Tabs		
PSE1-1U	PSE1-1CB	PSE1-1B	PSE1-1ND	PSE1-1TCB	Two Motorola Case 152s	3.6

Note: See page Iv for other finishes.

**PSE1-2**



Dimensions are for reference use only. Contact IERC for dimensions with tolerances or standard part drawings.



DESCRIPTION OF CURVES

- A. N.C. Horiz. Device Only Mounted to G-10.
- B. N.C. Horiz. & Vert. With Dissipator.
- C. 200 FPM w/Diss.
- D. 500 FPM w/Diss.
- E. 1000 FPM w/Diss.

- Thermal Resistance Case to Sink is 0.9-1.1 °C/W w/Joint Compound.
- Derate 4.0 °C/watt per device for unplated part in natural convection only.
- Case Temperatures Match Within 2°C at equivalent power levels.

#### Ordering Information

IERC PART NO.					Semiconductor Accommodated	Max. Weight (Grams)
Unplated	Comm'l. Black Anodize	Mil. Black Anodize	Nickel	Black Coating with Solderable Tabs		
PSE1-2U	PSE1-2CB	PSE1-2B	PSE1-2ND	PSE1-2TCB	Two TO-126s, Two TO-127s, Two TO-220s	4.2

Note: See page Iv for other finishes.