

ABSOLUTE MAXIMUM RATINGS

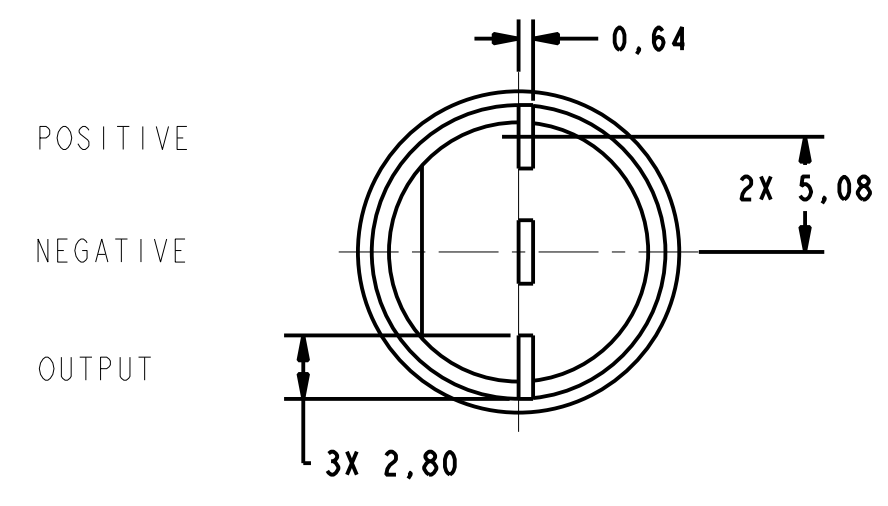
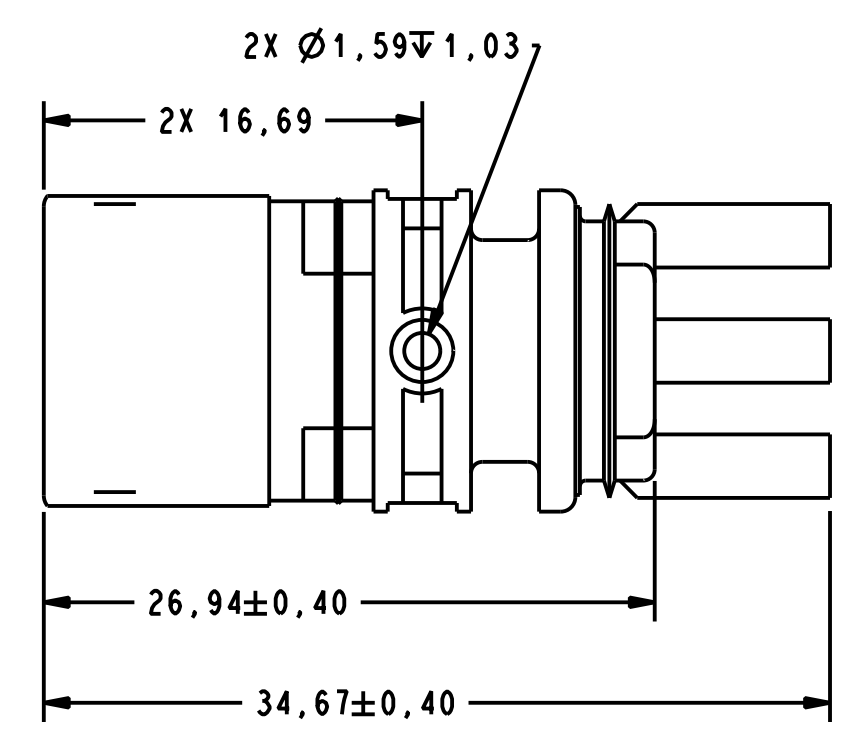
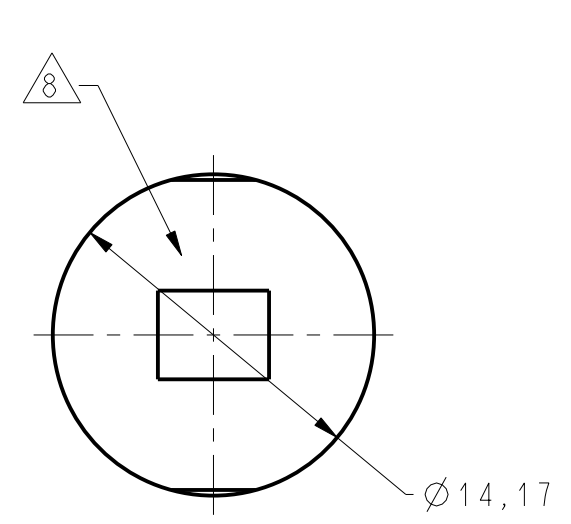
SUPPLY VOLTAGE	+30V CONTINUOUS
VOLTAGE EXTERNALLY APPLIED TO OUTPUT	-0.5 TO +30V (OUTPUT HIGH)
OUTPUT CURRENT	40 mA SINKING
TEMP	150°C

RECOMMENDED OPERATING CONDITIONS

PARAMETER	CONDITIONS	MIN	TYP	MAX	UNITS
OPERATING TEMPERATURE		-40		+150	°C
SUPPLY VOLTAGE		4.5		24	VDC
SUPPLY CURRENT			10	20	mA
OUTPUT VOLTAGE	LOW OUTPUT			.5	VDC
OUTPUT CURRENT	LOW OUTPUT			20	mA
OUTPUT LEAKAGE CURRENT	HIGH OUTPUT			10	µA
RISE TIME	10% TO 90%			15	µS
FALL TIME	90% TO 10%			1.0	µS

OPERATING SPECIFICATIONS

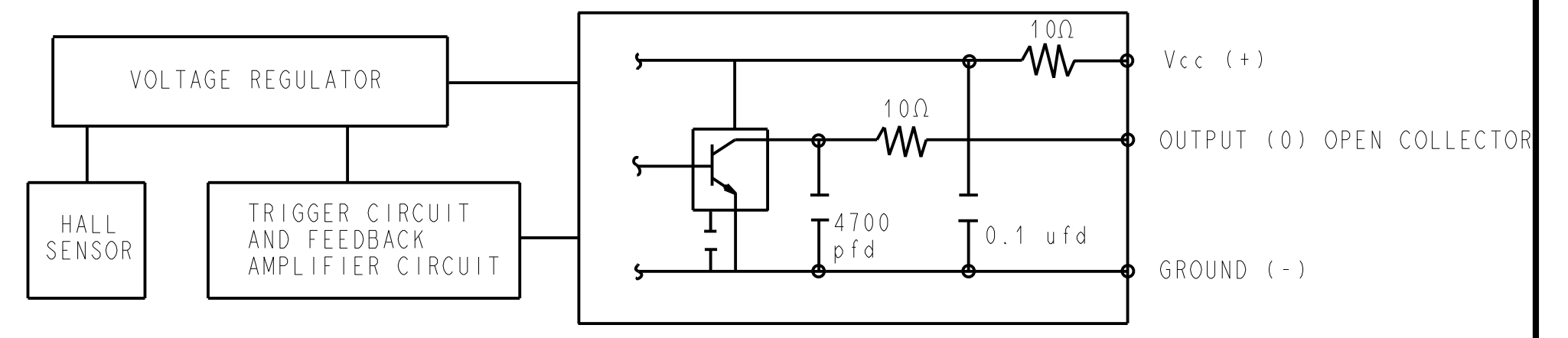
	LIMIT	CONDITIONS	UNITS
OPERATE	3.0° ± 1.25°	AIR GAP 0.38 - 2.28 V SUPPLY 4.5-24	mm VOLTS
RELEASE	3.0° ± 2.50°	TEMP -40 TO 150 RPM 10 TO 3600	DEG



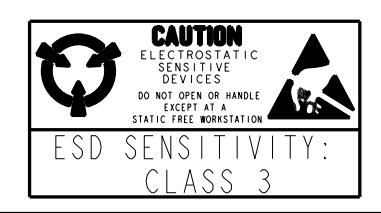
POSITIVE  
NEGATIVE  
OUTPUT

NOTES

- 1 TARGET SHOULD BE MADE OF C-1018 STEEL OR ENGINEERING APPROVED EQUIVALENT, ANNEAL AFTER MACHINING OR FORMING
- 2 MAX LIMITS THAT SWITCH WILL WITHSTAND WITHOUT DAMAGE
- 3 OPERATING SPECIFICATION IS BASED ON TARGET SHOWN IN FIGURE 1 AND WILL VARY WITH TARGET GEOMETRY
- 4 OPERATE (DEGREES) IS THE ANGULAR DISTANCE FROM THE LEADING EDGE OF THE TOOTH TO THE CENTERLINE OF THE SENSOR
- 5 RELEASE (DEGREES) IS THE ANGULAR DISTANCE FROM THE TRAILING EDGE OF THE TOOTH TO THE CENTERLINE OF THE SENSOR
- 6 ELECTRICAL CHARACTERISTICS ARE GUARANTEED WITH MAX EXTERNAL LOAD CAPACITANCE < 550 pfd
- 7 AIR GAP IS THE DISTANCE FROM SENSOR FACE TO TARGET
- 8 CATALOG LISTING, DATE CODE AND SERIAL NUMBER LOCATED IN THIS AREA
- 9 RELIABILITY AND EMI PERFORMANCE IS BASED ON TS 060 234
- 10 FOR VALUE ADDED ASSEMBLY CONSIDERATIONS REFERENCE APPLICATION NOTE PK-80139



BLOCK DIAGRAM SHOWING CURRENT SINKING OUTPUT



THIRD ANGLE PROJECTION
SCALE 3:1
DO NOT SCALE PRINT
UNLESS OTHERWISE SPECIFIED TOLERANCES ARE
NO PLACE (0) ± 1 MM
ONE PLACE (0,0) ± 0,4 MM
TWO PLACE (0,00) ± 0,15 MM
ANGLES ±
WEIGHT

THIS DRAWING COVERS A PROPRIETARY ITEM AND IS THE PROPERTY OF MICRO SWITCH, A DIVISION OF HONEYWELL. THIS DRAWING IS NOT TO BE COPIED OR USED WITHOUT THE APPROVAL OF MICRO SWITCH.

MICRO SWITCH a Honeywell Division	GEARTOOTH SENSOR	CATALOG LISTING 1GP7001
--------------------------------------	------------------	----------------------------

1GP7001  
 DRAWING NUMBER  
 ISSUE 1  
 PAGE 1 OF 1  
 RELEASE NO. DR-4887  
 REPLACES X110028-GT  
 REVISIONS  
 A CO-82515 KAG 28MAR96  
 B CO-83636 JAF SEP96  
 C CO-84047 JAF 3 FEB 97  
 D CO-84378 JAF 4 APR 97  
 E CO84610 KAG 24 APR 97  
 F CO84911 JAF 8 AUG 97  
 G PR-22827 KAG 4 NOV 97  
 H CO-95581 JAF 2 FEB 00  
 J 202212 LJK 31 JAN 01  
 K 0005266 AS 12 MAY 04  
 PTC/CAD  
 DRAWN KAG 20MAR96  
 CHECK JAF 12MAY04  
 CHECK AK 26MAR96