



Actuator head for position switch 3SE51/52 Roller lever, Form E, with Metal lever and Stainless steel roller 13 mm according to EN 50047

|   |  |
|---|--|
| <b>product brand name</b>   | SIRIUS   |
| <b>product designation</b>  | actuator head for position switch                  |
| <b>product type designation</b>   | 3SE5   |
| <b>manufacturer's article number</b>  |  |
| <ul style="list-style-type: none"> <li>of the supplied actuator head for position switches</li> </ul> | <a href="#">3SE5000-0AE11</a>                      |
| <b>General technical data</b>   |  |
| product function positive opening   | Yes  |
| <b>shock resistance</b>   |  |
| <ul style="list-style-type: none"> <li>according to IEC 60068-2-27</li> </ul>                         | 30g / 11 ms  |
| <b>vibration resistance</b>   |  |
| <ul style="list-style-type: none"> <li>according to IEC 60068-2-6</li> </ul>                          | 0.35 mm/5g   |
| mechanical service life (switching cycles) typical  | 15 000 000   |
| <b>material of the enclosure of the switch head</b>   | plastic  |
| <b>reference code according to IEC 81346-2</b>  | T  |
| <b>active principle</b>   | mechanical   |
| <b>Substance Prohibitance (Date)</b>  | 07/01/2006   |
| <b>minimum actuating force in directions of actuation</b>   | 10 N   |
| design of the interface for safety-related communication  | without  |
| <b>Enclosure</b>  |  |
| <b>coating of the enclosure</b>   | Other types  |
| <b>Drive Head</b>   |  |
| <b>design of the actuating element</b>  | Roller lever, metal lever, high-grade steel roller |
| <b>standard-compliant actuator head</b>   | EN 50047, design E                                 |
| <b>shape of the switch head</b>   | roller   |
| <b>outer diameter of the switch head</b>  | 13 mm  |
| <b>Communication/ Protocol</b>  |  |
| <b>design of the interface</b>  | without  |
| <b>Ambient conditions</b>   |  |
| <b>ambient temperature</b>  |  |
| <ul style="list-style-type: none"> <li>during operation</li> <li>during storage</li> </ul>            | -25 ... +85 °C<br>-40 ... +90 °C                   |
| <b>explosion protection category for dust</b>   | none   |
| <b>Installation/ mounting/ dimensions</b>   |  |
| <b>mounting position</b>  | any  |
| <b>fastening method</b>   | lockable plug-in fixing                            |
| <b>Certificates/ approvals</b>  |  |
| General Product Approval  | Declaration of Conformity                          |



[Confirmation](#)



Declaration of  
Conformity

Test Certificates

other



EG-Konf.

[Type Test Certificates/Test Report](#)

[Confirmation](#)

### Further information

Information- and Downloadcenter (Catalogs, Brochures,...)

<https://www.siemens.com/ic10>

Industry Mall (Online ordering system)

<https://mall.industry.siemens.com/mall/en/en/Catalog/product?mlfb=3SE5000-0AE11>

Cax online generator

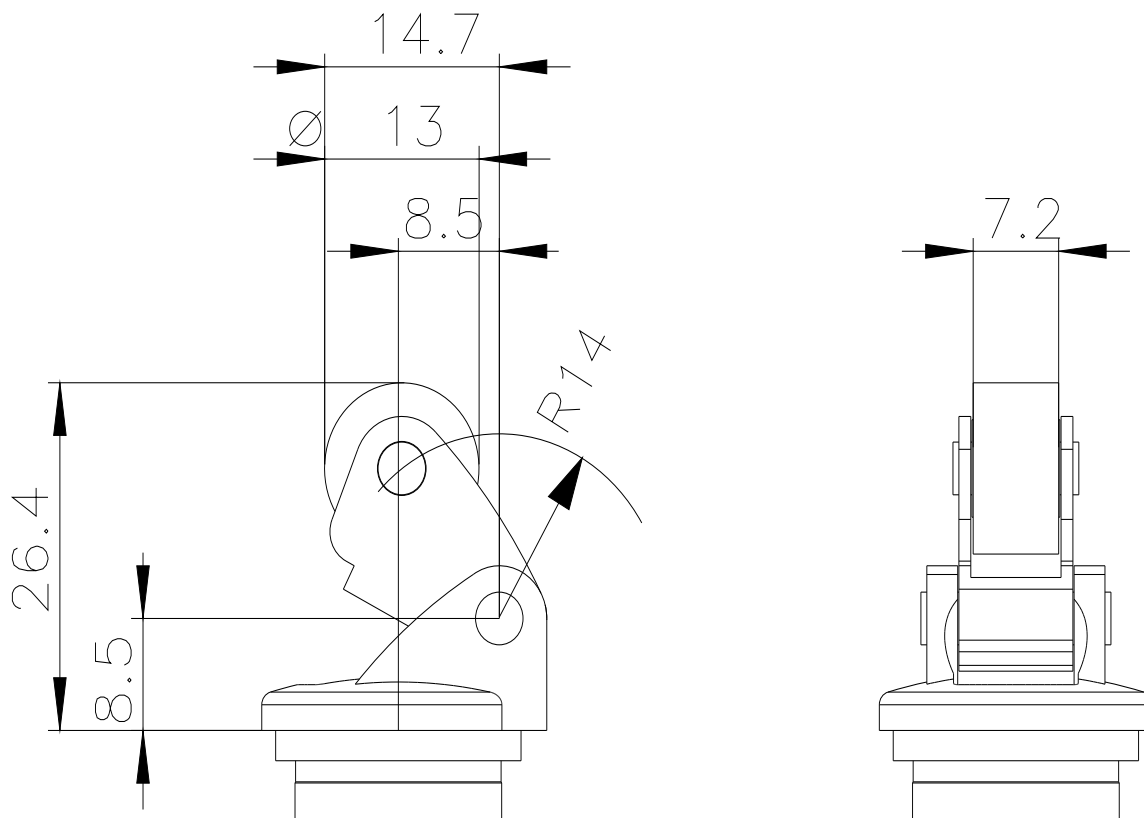
<http://support.automation.siemens.com/WW/CAXorder/default.aspx?lang=en&mlfb=3SE5000-0AE11>

Service&Support (Manuals, Certificates, Characteristics, FAQs,...)

<https://support.industry.siemens.com/cs/ww/en/ps/3SE5000-0AE11>

Image database (product images, 2D dimension drawings, 3D models, device circuit diagrams, EPLAN macros, ...)

[http://www.automation.siemens.com/bilddb/cax\\_de.aspx?mlfb=3SE5000-0AE11&lang=en](http://www.automation.siemens.com/bilddb/cax_de.aspx?mlfb=3SE5000-0AE11&lang=en)



last modified:

12/21/2020