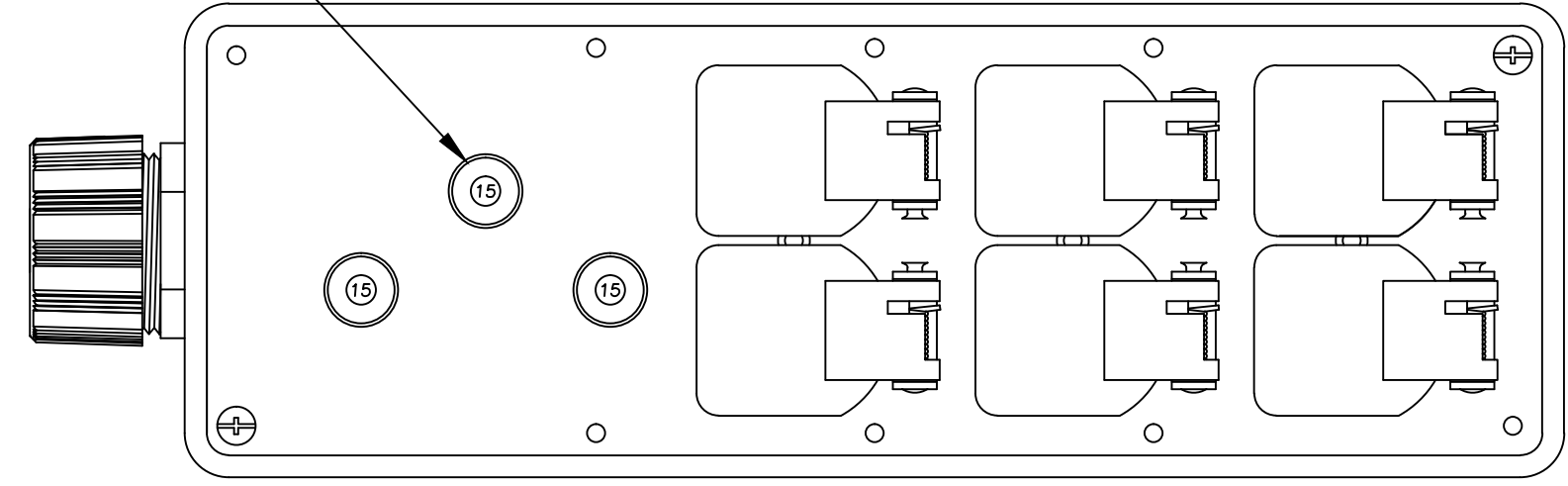


13 12 11 10 9 8 7 6 5 4 3 2 1

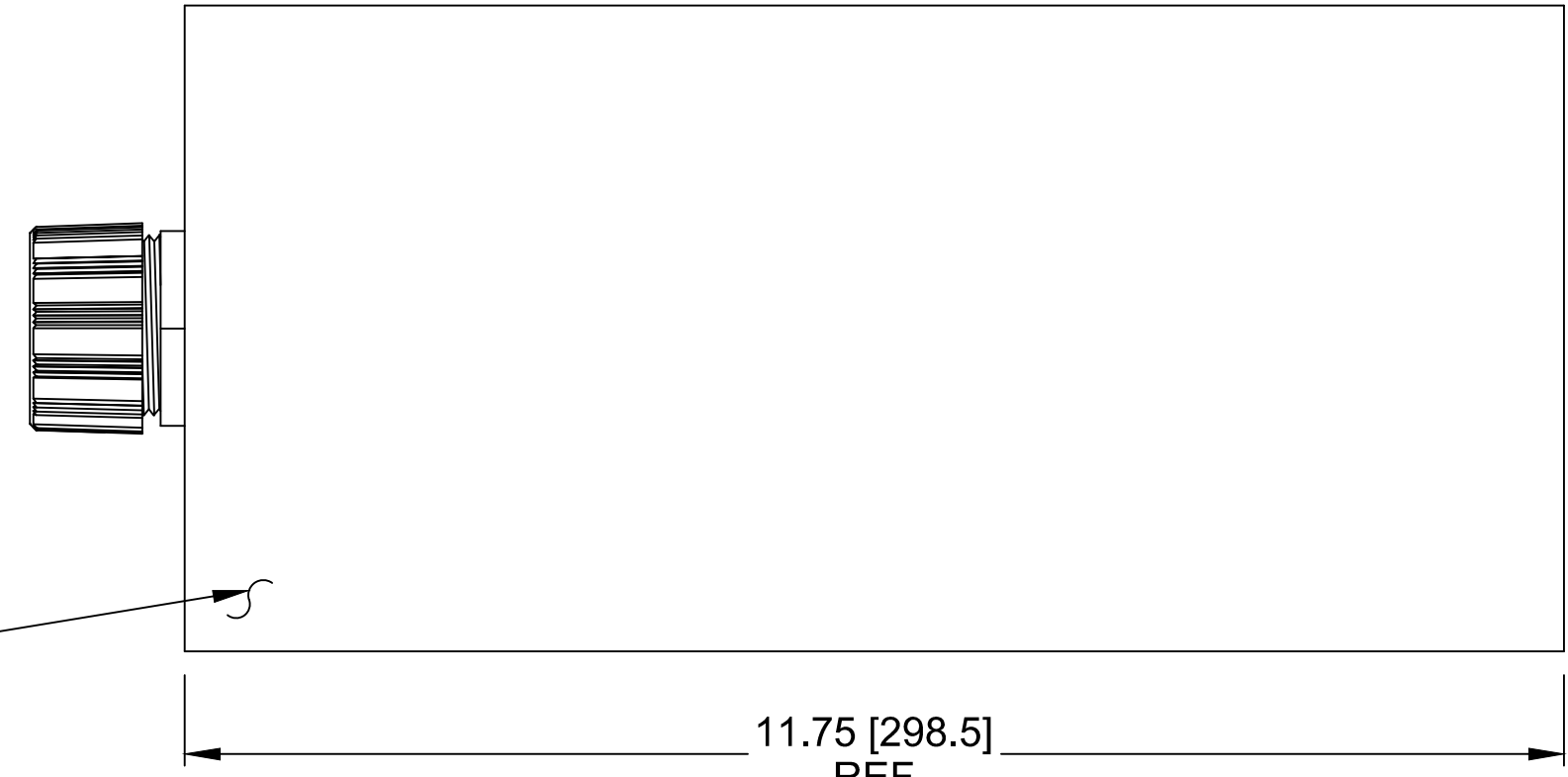
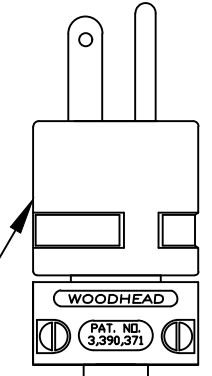
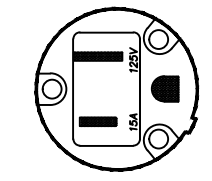
J
I
H
G
F
E
D
C
B
A

(6) 15A CIRCUIT BREAKERS



SIDE 1

NEMA 5-15 PLUG
COLOR: YELLOW

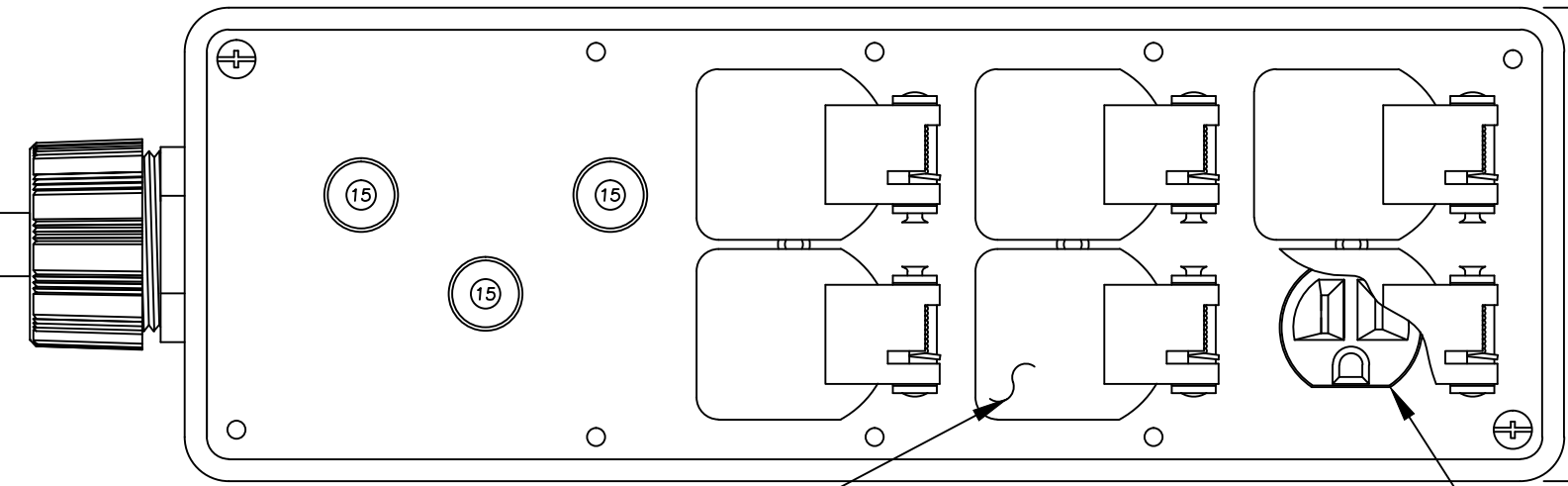
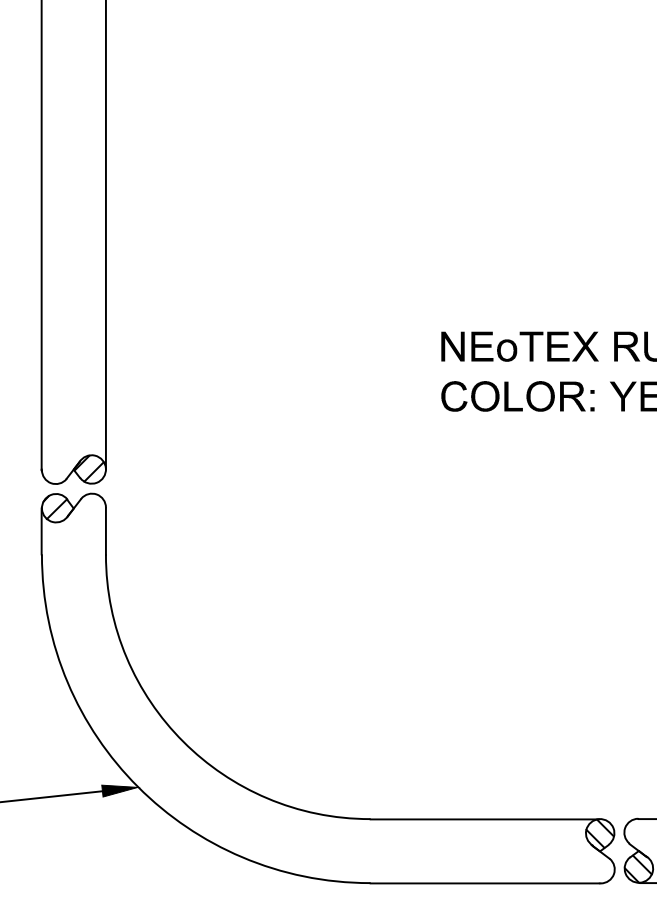


5.5 [140]
REF

NEOTEX RUBBER BOX
COLOR: YELLOW

11.75 [298.5]
REF

25 FEET [7.62 M]
#12-3 SOOW CORD
COLOR: BLACK



4.0 [102]
REF

SIDE 2

VINYL COVER PLATE
WITH POLYCARBONATE FLIP LIDS
COLOR: YELLOW

(6) NEMA 5-15 DUPLEX RECEPTACLES
WITH FLIP LIDS

RELEASE SALES DRAWING EC NO.: IFC2016-0119 DRWN: KCOX01 2015/07/24 CHKD: HRUIZ01 2015/07/24 APPR: JFMURPHY 2015/08/27	QUALITY SYMBOL	GENERAL TOLERANCES (UNLESS SPECIFIED)		DIMENSION STYLE INCH/MM		SCALE NTS	DESIGN UNITS INCH	THIRD ANGLE PROJECTION	
	▼=0		mm	INCH	DRAWN BY	DATE	TITLE		
	∇=0	4 PLACES	±---	±---	KCOX01	2015/07/24	3103 W/ (6) 5-15 DUPLEX 25 FOOT #12-3 SOOW CORD (6) 15A CIRCUIT BREAKERS		
		3 PLACES	±---	±.005	CHECKED BY	DATE			
		2 PLACES	±.13	±.010	HRUIZ01	2015/07/24			
	1 PLACE	±.25	±.020	APPROVED BY	DATE				
		ANGULAR ±1/2°		JFMURPHY	2015/08/27	MOLEX INCORPORATED			
	DRAFT WHERE APPLICABLE MUST REMAIN WITHIN DIMENSIONS		MATERIAL NO.		DOCUMENT NO.		SHEET NO.		
			1301350400		SD-130135-052		1 OF 1		
			THIS DRAWING CONTAINS INFORMATION THAT IS PROPRIETARY TO MOLEX INCORPORATED AND SHOULD NOT BE USED WITHOUT WRITTEN PERMISSION						

13 12 11 10 9 8 7 6 5 4 3 2 1