

# Mini-Com® Classic Series Faceplates

## specifications

Classic series faceplates shall be available in 1, 2, 3, 4, and 6-port single gang for vertical applications and 2-port single gang for horizontal applications. Classic series faceplates shall accept all Mini-Com® Modules for UTP, STP, fiber-optic, and audio/video applications. Faceplates shall be available in a flush or sloped design, and available with or without labels. Sloped design shall increase wall depth to improve the bend radius control.



## technical information

<b>Mounting options:</b>	Screw holes with retention tabs, spaced for single gang openings; compatible with Panduit wall board adapter
<b>Packaging:</b>	Supplied with two 1" long, #6 – 32 slotted head screws; select styles include labels and label covers; faceplates without labels include matching mounting screws to match the faceplate; faceplates packaged one per bag, ten per box. Eco packaging supplied with 10 faceplates, 20 mounting screws in a paper envelope, 20 labels and 20 label covers in paper envelope.

## key features and benefits

<b>Modular</b>	Accepts all Mini-Com® Modules which snap in and out for easy moves, adds, and changes
<b>Identification</b>	Choice of adhesive labeling or dedicated label pocket for easy identification
<b>Various port densities</b>	Provides design flexibility
<b>Sloped design</b>	Allows proper bend radius control
<b>Icon slots</b>	Provide data and voice identification on select faceplates
<b>Eco packaging</b>	Select product with plastic packaging removed, easy access to all components while reducing waste

## applications

Mini-Com® Classic Series Faceplates mount to any standard size single gang junction box and can also mount to a wallboard adapter or raceway mounting brackets. When using classic series faceplates with Panduit surface raceway, color matching is guaranteed. Classic series faceplates with label and label cover offer a quick and easy way to identify the ports. Mounting screw colors match the faceplate for a clean, consistent look.

Dedicated sloped faceplates provide additional room for bend radius control to help comply with standards. Select sloped faceplates include icon slots to help identify the connection.

Eco packaging available for select product, provides easy access to the product and components while reducing waste.

### Vertical Sloped Faceplates with Labels and Icon Slots

<b>2-port:</b>	CFPSL2IWY
<b>4-port:</b>	CFPSL4IWY

### Vertical Faceplates with Labels

<b>1-port:</b>	CFPL1IWY
<b>2-port:</b>	CFPL2IWY
<b>3-port:</b>	CFPL3IWY
<b>4-port:</b>	CFPL4IWY
<b>6-port:</b>	CFPL6IWY

### Eco Packaging

<b>2-port:</b>	CFPL2IW-X
<b>2-port:</b>	CFPL2WH-X
<b>4-port:</b>	CFPL4IW-X
<b>4-port:</b>	CFPL4WH-X

### Vertical Faceplates without Labels

<b>1-port:</b>	CFP1IW
<b>2-port:</b>	CFP2IW
<b>4-port:</b>	CFP4IW

### Horizontal Faceplates

<b>2-port:</b>	CFPH2IW
<b>4-port (sloped with labels):</b>	CFPHSL4IW

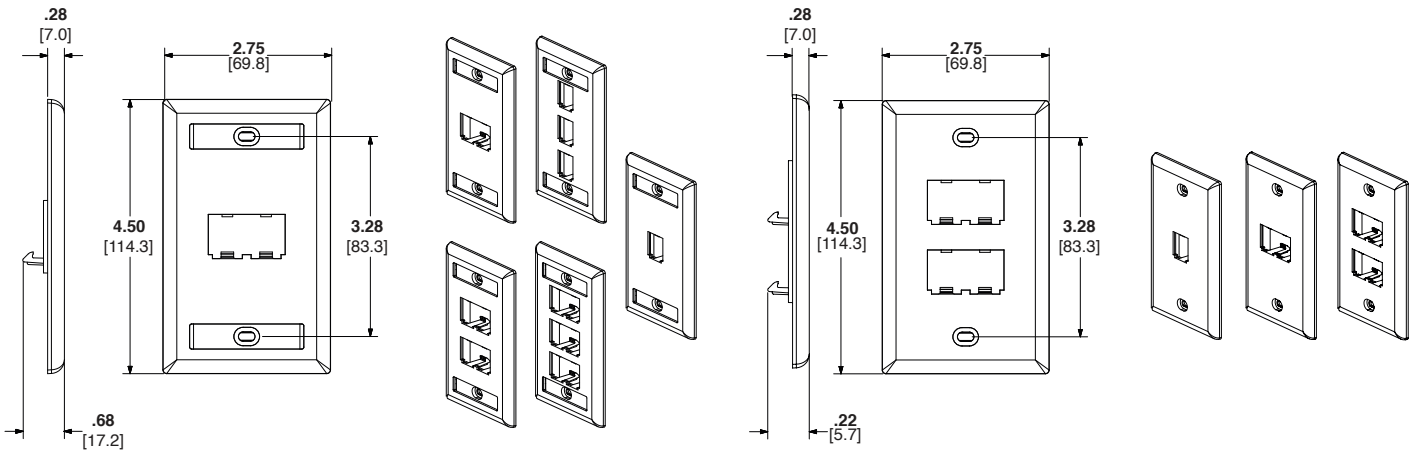
### Wall Board Adapters

<b>Single gang:</b>	MWBA1
---------------------	-------

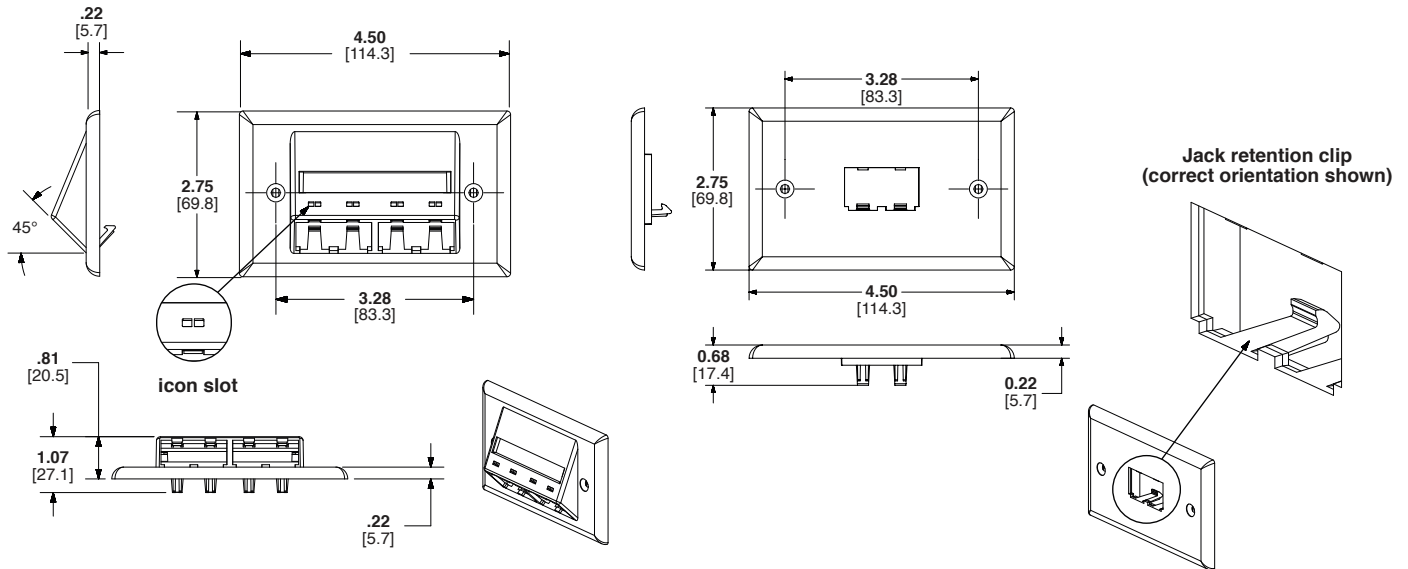
See table for color and labeling options.

# Mini-Com® Classic Series Faceplates

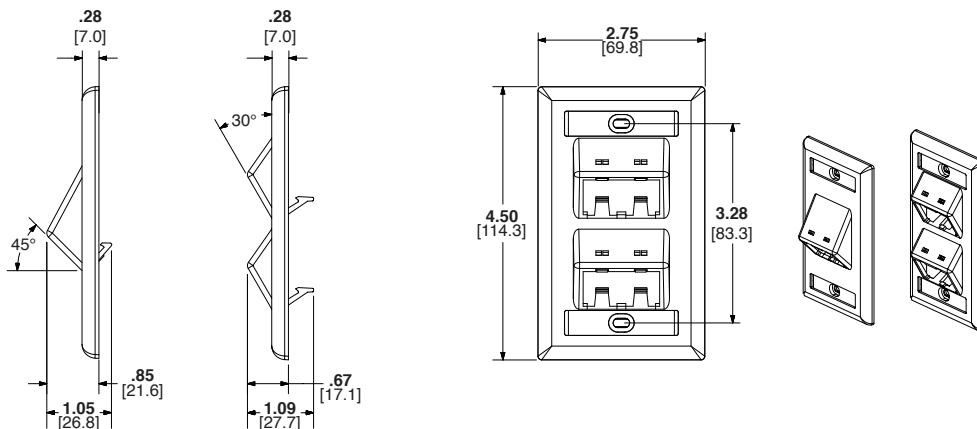
## vertical faceplates



## horizontal faceplates



## vertical sloped faceplates



Dimensions are in inches. [Dimensions in brackets are metric].

# Mini-Com® Classic Series Faceplates

## color and labeling options

Part Number	IW	WH	EI	Opening	Replacement Label	Laser/Ink jet	Panther LS8E
CFP1**				Single Gang	—	C061X030FJJ	C061X030FJC
CFP2**						C125X030FJJ	C125X030FJC
CFP4**							
CFPH2**							
CFPH4**					C252X030FJJ	C252X030FJC	
CFPHSL4**					C4PPLK	C261X035Y1J	C261X035Y1C
CFPL1**Y					EFPK-XY (Includes Screws)	C195X040Y1J	C195X040Y1C
CFPL2**Y							
CFPL3**Y							
CFPL4**Y							
CFPL6**Y							
CFPSL2**Y							
CFPSL4**Y							
CFPL2IW-X							
CFPL2WH-X							
CFPL4IW-X							
CFPL4WH-X							

Gray shaded area depicts colors are not available.

### WORLDWIDE SUBSIDIARIES AND SALES OFFICES

PANDUIT US/CANADA  
Phone: 800.777.3300

PANDUIT EUROPE LTD.  
London, UK  
Phone: 44.20.8601.7200

PANDUIT SINGAPORE PTE. LTD.  
Republic of Singapore  
Phone: 65.6305.7575

PANDUIT JAPAN  
Tokyo, Japan  
Phone: 81.3.6863.6000

PANDUIT LATIN AMERICA  
Guadalajara, Mexico  
Phone: 52.33.3777.6000

PANDUIT AUSTRALIA PTY. LTD.  
Victoria, Australia  
Phone: 61.3.9794.9020

For a copy of Panduit product warranties, log on to [www.panduit.com/warranty](http://www.panduit.com/warranty)

For more information  
Visit us at [www.panduit.com](http://www.panduit.com)  
Contact Customer Service by email: [cs@panduit.com](mailto:cs@panduit.com)  
or by phone: 800.777.3300

© 2022 Panduit Corp.  
ALL RIGHTS RESERVED.  
OTSP20--WW-ENG  
1/2022