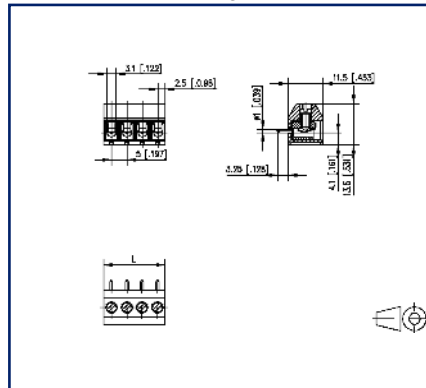


**Data sheet**  
**RT095xxVBWC Type 147**

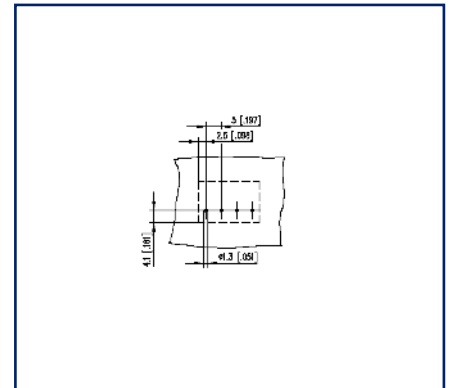
**Illustrations**



Dimensional drawing



Drill pattern





See enlarged drawings at the end of document

**Product specification**

- screw type terminal block, solderable
- centerline 5.00 mm, direction of connection vertical 0°
- wire protector, fittable without loss of poles
- color black

## Technical Data

General Data			
Tightening torque SEV	0.5 Nm		
Tightening torque UL	4.4 lb-in		
Solder pin length	3.25 mm		
min. number of poles	2		
max. number of poles	24		
Insulating material class	CTI 600		
clearance/creepage dist.	4 mm		
Protection category	IP00		
Min. insul. strip length	8 mm		
Rated current	10 A		
Overvoltage category	III	III	II
Pollution degree	3	2	2
Rated voltage	160 V	400 V	400 V
Rated test voltage	2.5 kV	2.5 kV	2.5 kV
Terminal data			
rat.wiring solid AWGmax	0.34 mm <sup>2</sup> - 2 mm <sup>2</sup> / AWG 22 - AWG 14		
rat.wiring strand.AWGmax	0.34 mm <sup>2</sup> - 2 mm <sup>2</sup> / AWG 22 - AWG 14		
Approvals			
extended wiring UL	Wire range extended to No. 30 AWG for factory-wiring. Two same size wires No. 22-16 AWG Cu, Sol/Str for field-wiring; No. 30-16 AWG Cu Sol/Str factory-wiring.		
 V / A / AWG	300 / 15 / 22 - 14		
approval UL - File No.	E121004		
 1.5 mm <sup>2</sup>	250 V / 17.5 A / T60		
Material			
insulating material	PA66		
flammability class	V0		
terminal body thread	M3		
terminal body material	CuZnPb		
terminal body surface	Ni + Sn		
screw thread	M3		

## Technical Data

screw material	8,8
screw surface	Zn Cr(VI)-frei/free
wire protector material	CuSn
wire protector surface	Sn
Glow-Wire Flammability GWFI	960 °C acc. to IEC 60695-2-12
Glow-Wire Flammability GWIT	775 °C acc. to IEC 60695-2-13

## Climatic Data

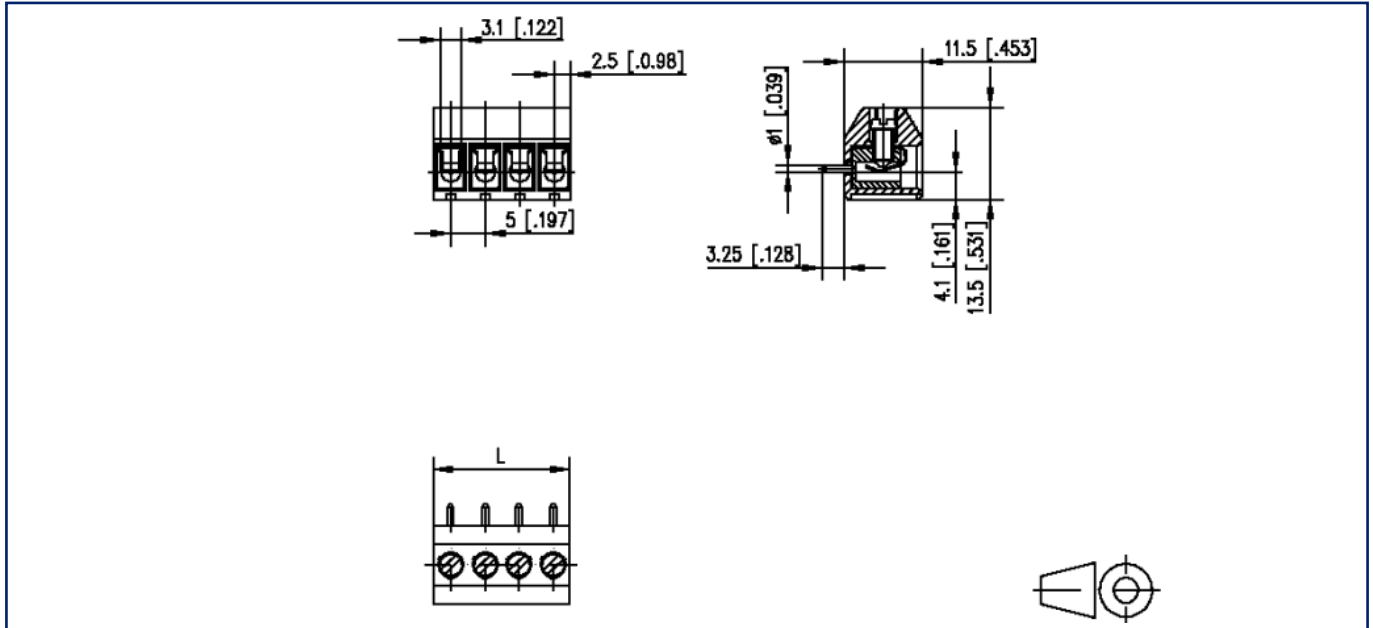
upper limit temperature	105 °C
lower limit temperature	-40 °C

## general

Tolerance	ISO 2768 -mH
Solderability	Acc. to JEDEC JESD22-B102E 245°C/5s

## Illustrations

Dimensional drawing



$L = (\text{pole size} - 1) \times \text{centerline} + 5 \text{ mm} [0.197]$

© 2023 METZ CONNECT - Technische Änderungen vorbehalten! Subject to modifications! Sous réserve de modifications techniques!

**Illustrations**

## Drill pattern

