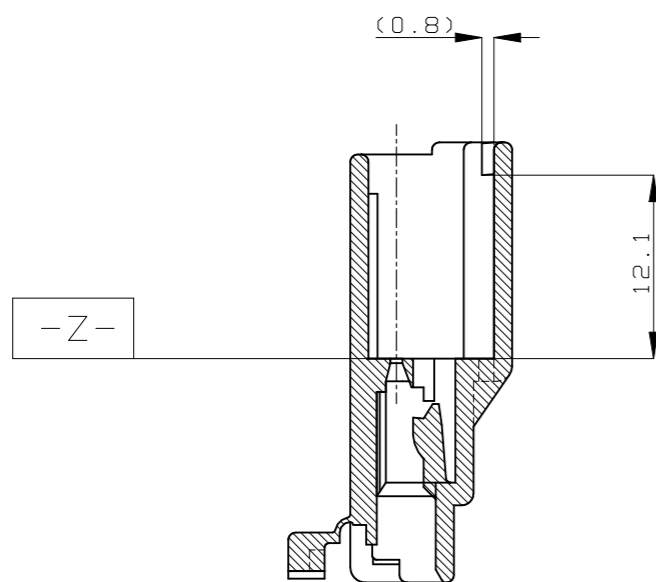
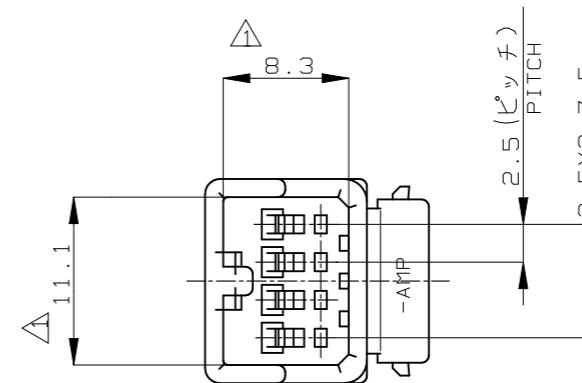
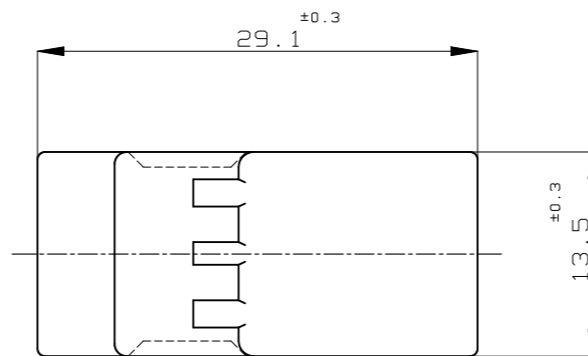
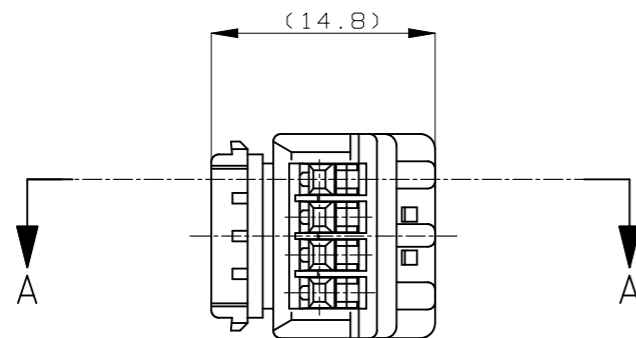
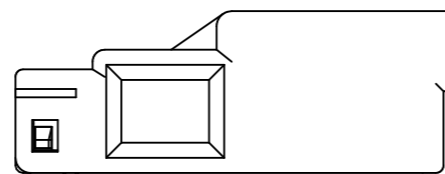
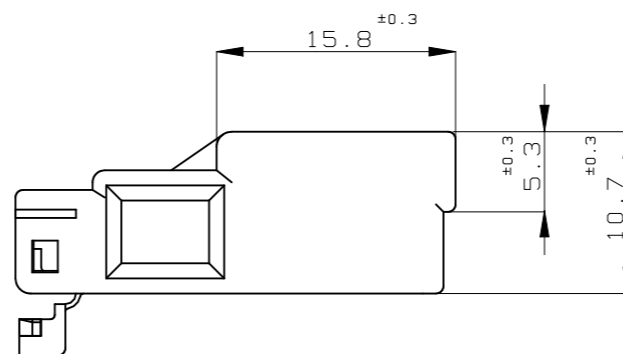


REVISIONS

P	LTR	DESCRIPTION	DATE	DWN	APVD
	B3	REVISED PER ECR-22-154022	28NOV2022	RK	MT



A-A



二重ロック時
DOUBLE LOCKED

- △ TO BE MEASURED WITHIN 2mm FROM [-Z-]
- 2. THE MEATING PLUG HOUSING PART NUMBER; 174966
- 3. APPLICABLE CONTACT PART NUMBER, 173682

- △ [-Z-] 面から2mmの範囲で測定
- 2. 相手側ハウジング型番; 174966
- 3. 適用端子型番、 173682

OBSELETE	青 (BLUE)	174967-5
OBSELETE	緑 (GREEN)	174967-4
	黒 (BLACK)	174967-2
	色 (COLOR)	製品型番 (PART NO.)

TOLERANCE UNLESS OTHERWISE SPECIFIED:
一般公差

0 < x ≤ 10	: ±0.2
10 < x ≤ 30	: ±0.25
30 < x ≤ 100	: ±0.3
ANGLE ; 角度	: ±3°

THIS DRAWING IS A CONTROLLED DOCUMENT.

DIMENSIONS: 単位: 耗 mm	TOLERANCES UNLESS OTHERWISE SPECIFIED: 一般公差
	0 PLC ± -
	1 PLC ± -
	2 PLC ± -
	3 PLC ± -
	4 PLC ± -
ANGLES	± -

MATERIAL 材料	PBT
FINISH 仕上	-

DWN	M.SUGAWARA	02AUG06
CHK	K.BETSUI	02AUG06
APVD	K.BETSUI	02AUG06
PRODUCT SPEC 製品規格	108-5352	
APPLICATION SPEC 取付適用規格	-	
WEIGHT	-	
CUSTOMER DRAWING		

TE Connectivity			
4POSITION CAP HOUSING 040SERIES MULTI-LOCK CONNECTOR			
NAME 名称	SIZE	CAGE CODE	DRAWING NO 番号
	A3	00779	C-174967
RESTRICTED TO	SCALE 尺度	SHEET	REV
-	2:1	1 OF 1	B3