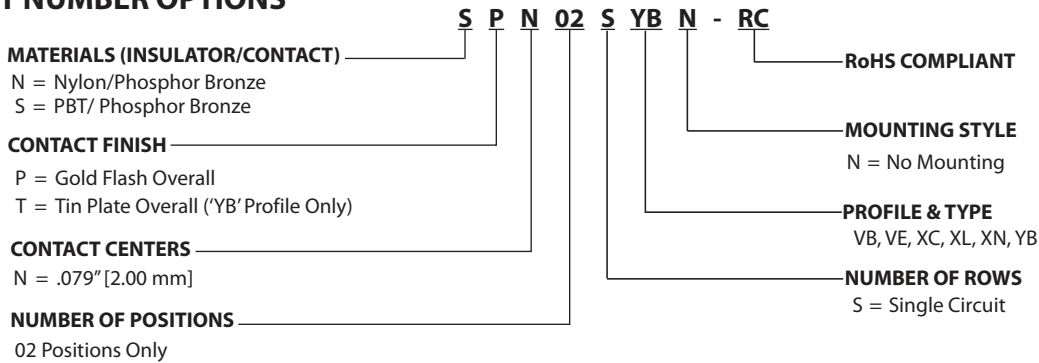




SPECIFICATIONS

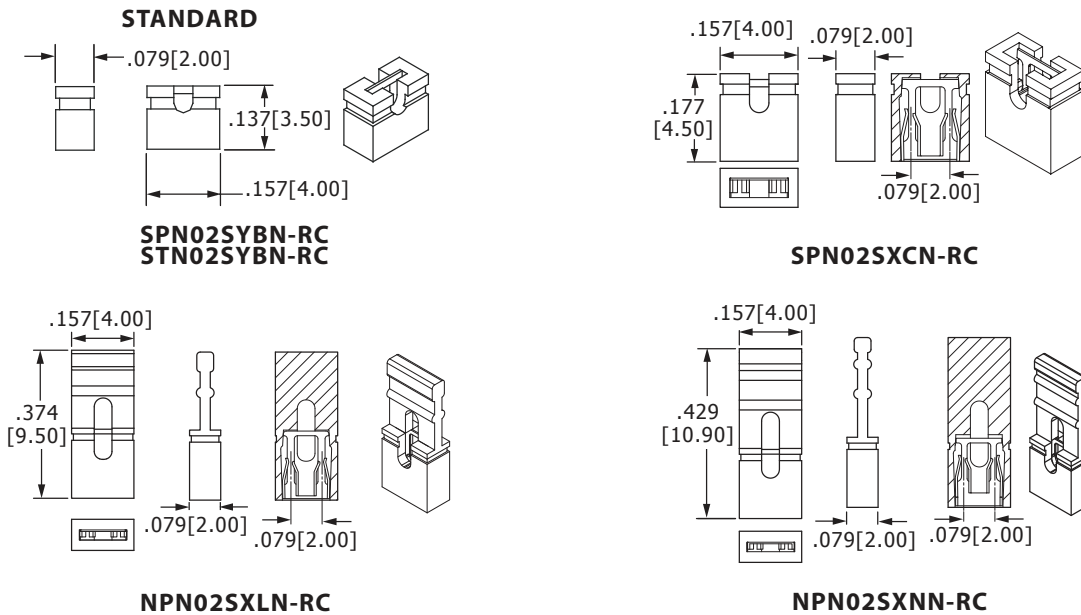
- Insulator Material: Nylon/PBT
- Contact Material: Phosphor Bronze
- Plating: Gold Flash Overall
- 1, 2 or 3 Amps current rating
- UL Flammability Rating: 94V-0/94V-2
- Dual Beam Contacts

PART NUMBER OPTIONS

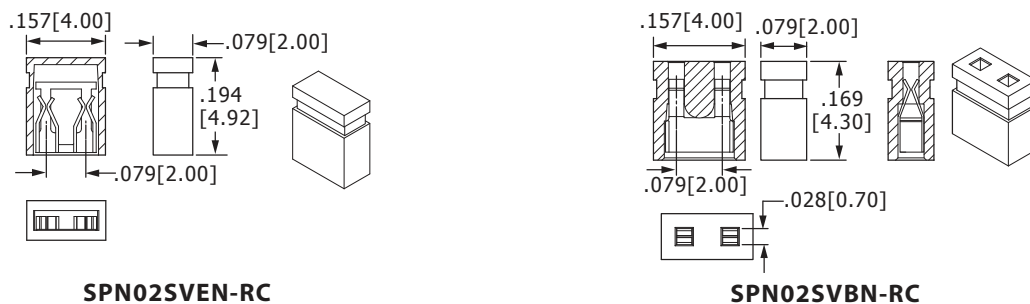


DIMENSIONS Dimensions in [] are in millimeters, all others are in inches.

OPEN TOP - SINGLE CIRCUIT



CLOSED TOP - SINGLE CIRCUIT



Jumpers