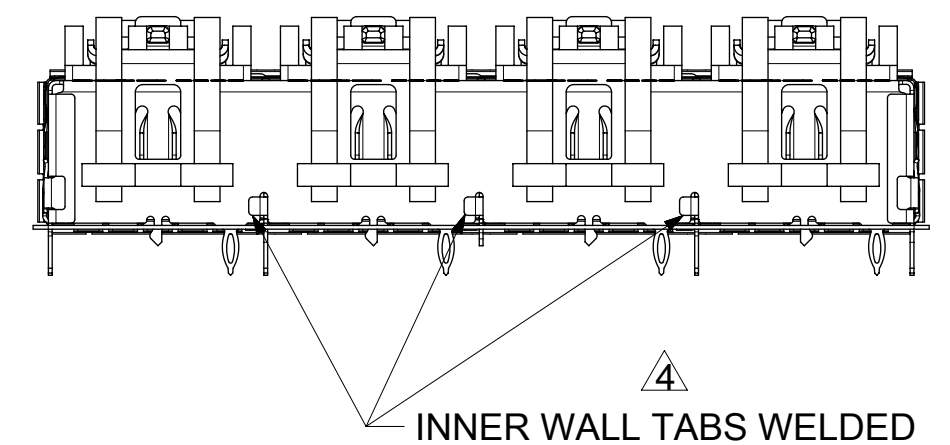
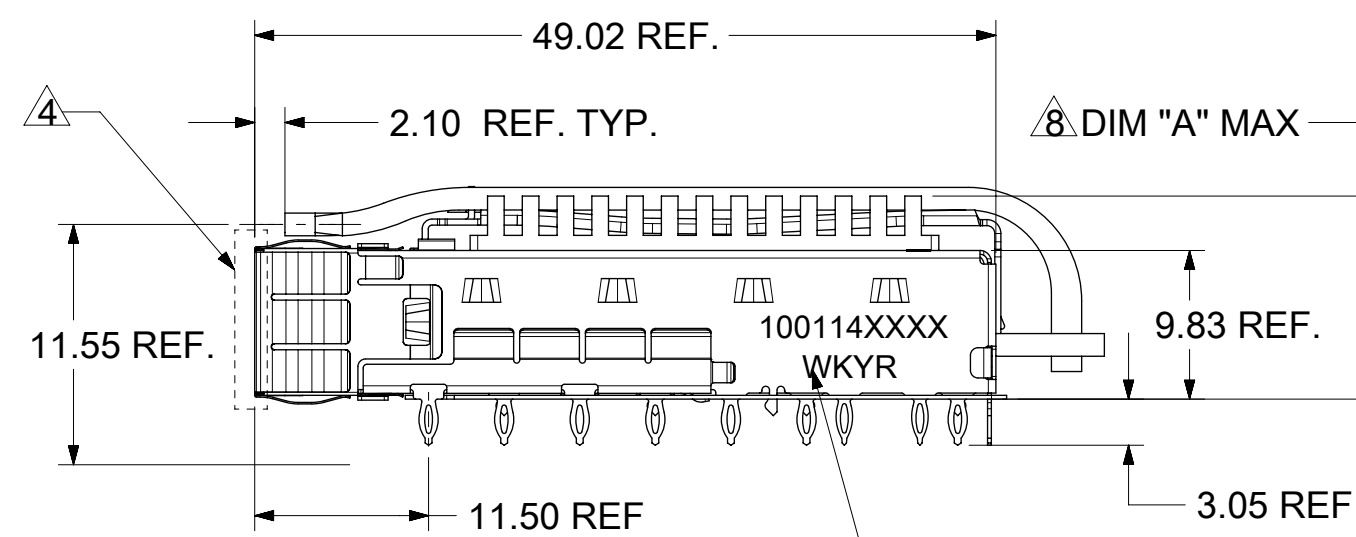
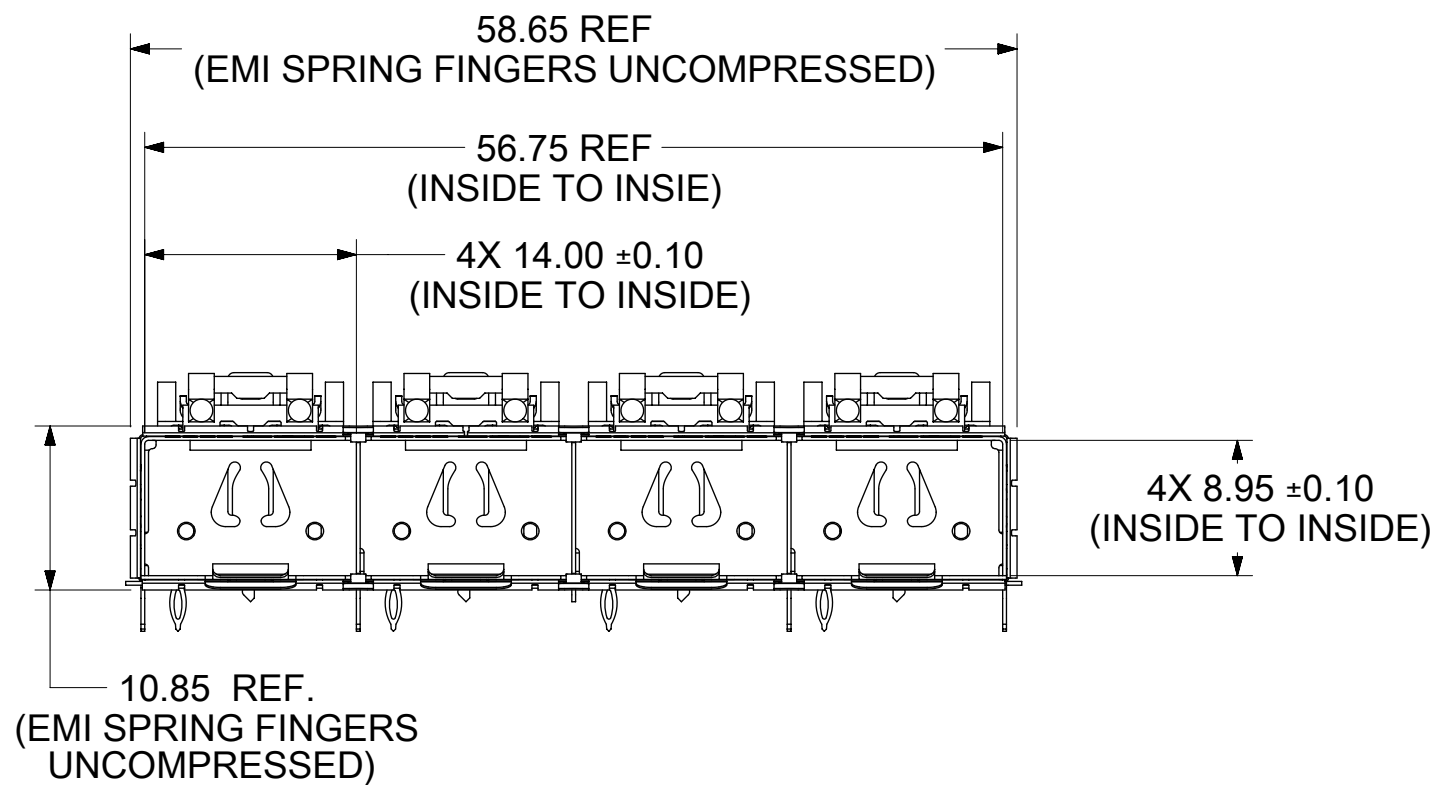
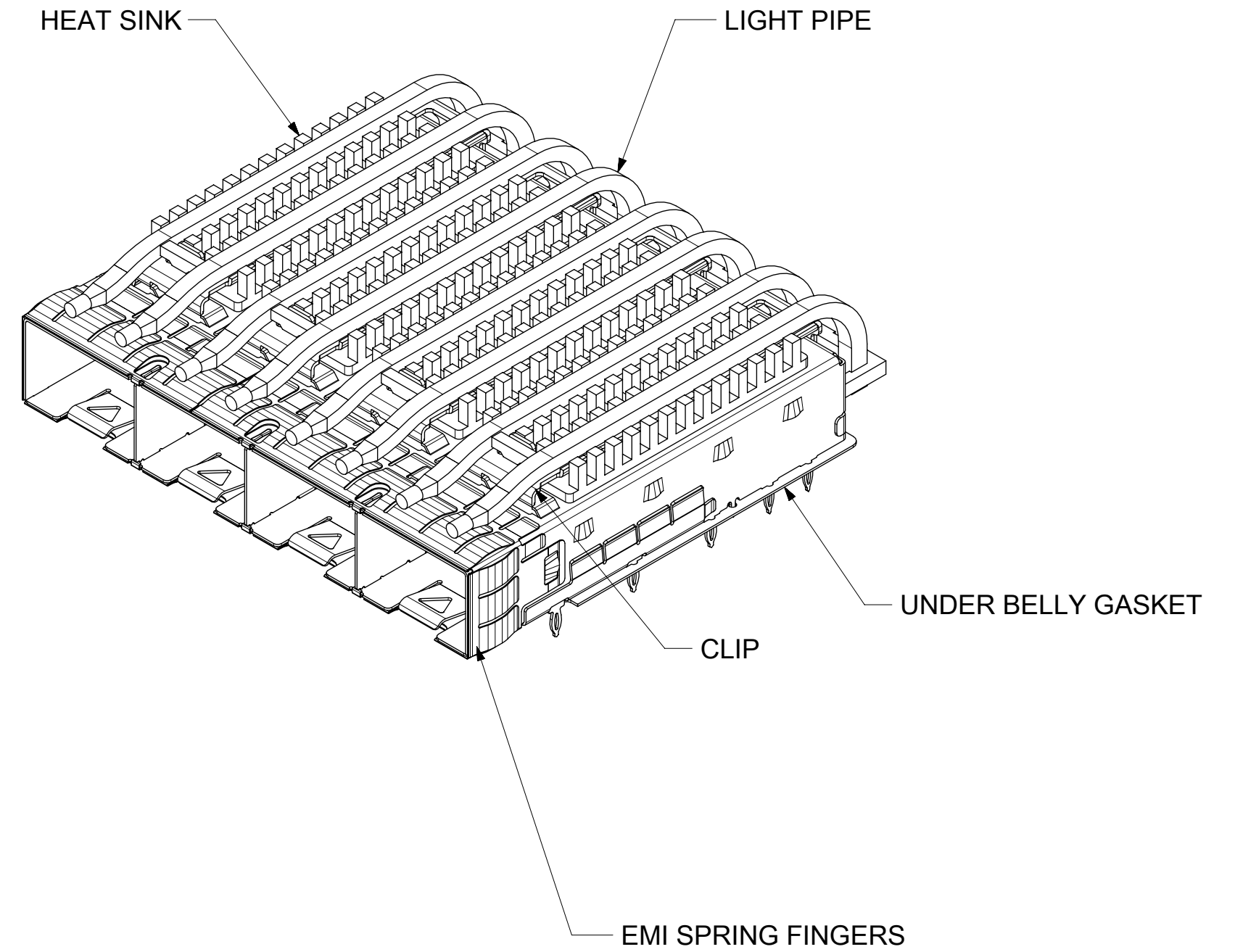
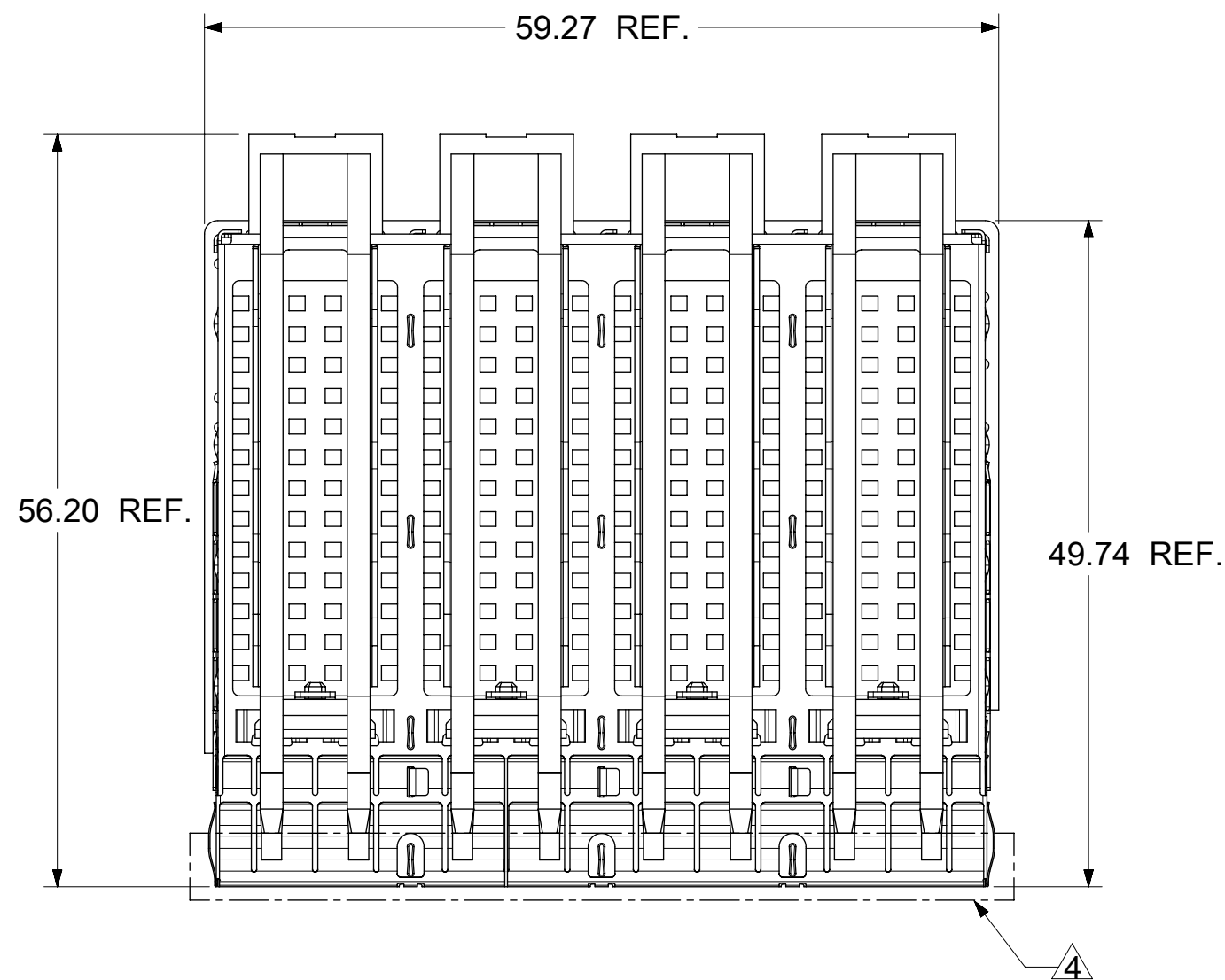


COMMON DIMENSIONS 1001147421 SHOWN



PART NO. AND WEEK/YEAR DATE CODE TO BE PRINTED ON SIDE OF COMPLETED CAGE ASSEMBLY APPROXIMATELY AS SHOWN. SEE TABLE BELOW FOR DATE CODE INFORMATION.

WEEK/YEAR DATE CODE TABLE	
WW	01 THRU 52 OR 53 EXAMPLE:01 = FIRST WEEK OF YEAR 52 = LAST WEEK OF YEAR
YY	22, 23, 24 ETC. EXAMPLE : YEAR 2022 = 22

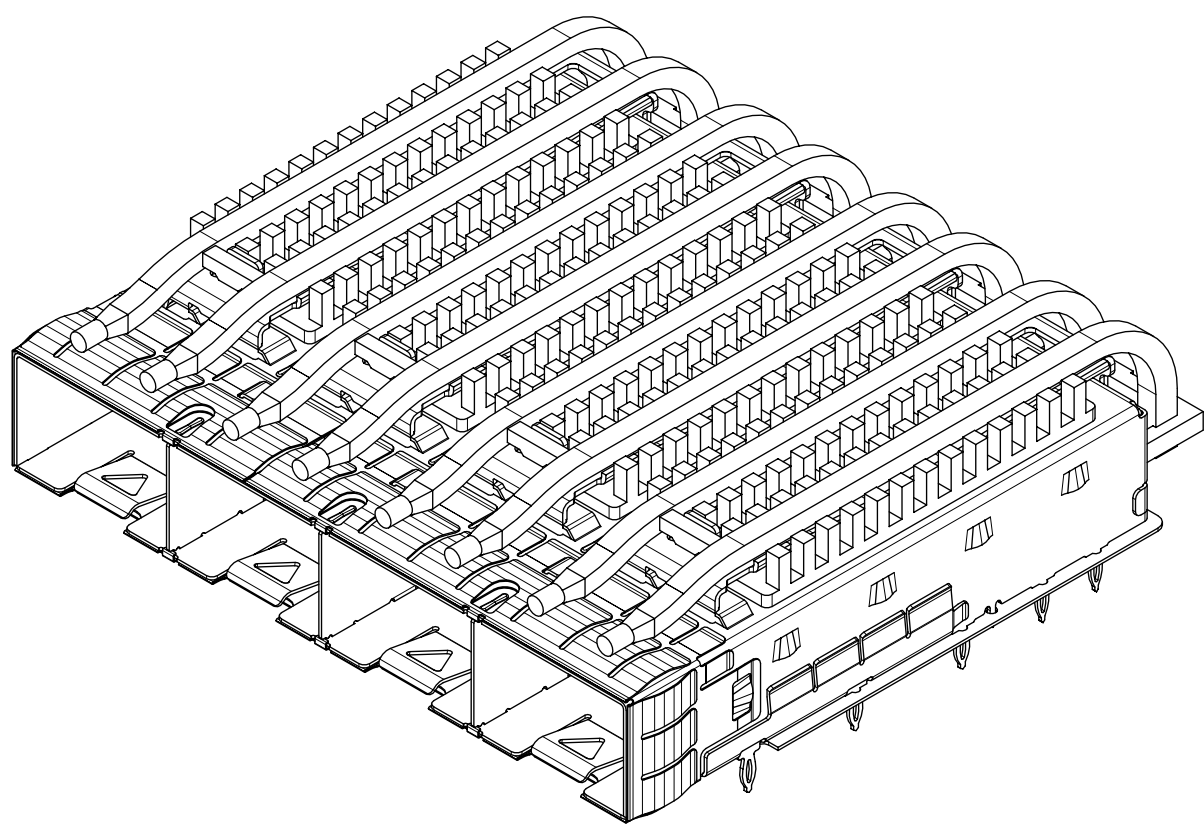
PART NUMBER	DIM "A"
1001147421	14.3
1001148422	14.3

NOTES:

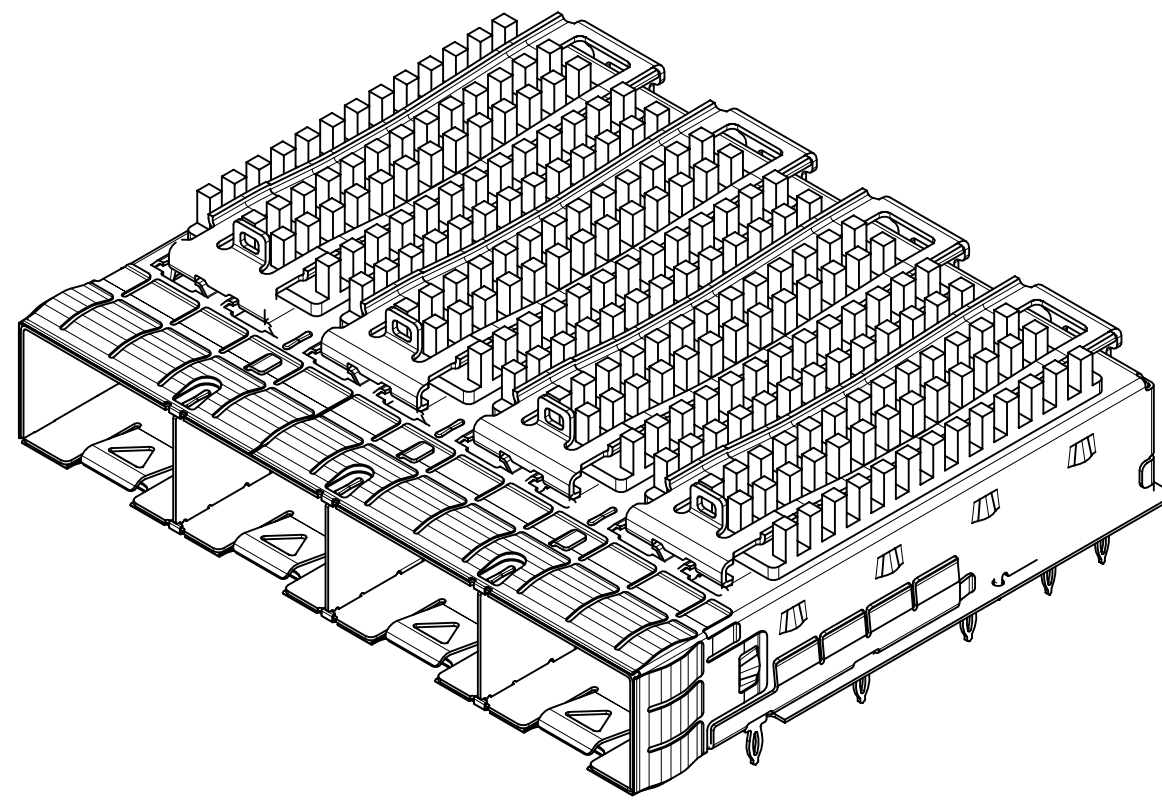
1. MATERIAL:
CAGE: 0.25mm THICK COPPER ALLOY, NICKEL PLATED.
SPRING FINGERS: STAINLESS STEEL.
HEATSINK: ALUMINUM, BLACK ANODIZED
HEATSINK SPRING CLIP: STAINLESS STEEL
LIGHT PIPE: POLYCARBONATE, UL94V-0
UNDER BELLY GASKET: EMI GASKET
2. PRESS FIT LEGS 3.05mm LONG.
3. PORTS ARE DESIGNED FOR SFP+ TRANSCEIVERS AND ARE COMPATIBLE WITH SFP TRANSCEIVERS. THE TOP SURFACE OF THE MODULE MUST BE FLAT (NO PRODUCT LABEL RECESS) AND THERMALLY CONDUCTIVE TO FUNCTION OPTIMALLY.
4. WELD SPOT MAY SHOW SLIGHT MATERIAL DISCOLORATION.
5. NO RoHS EXEMPTIONS.
6. 1.57mm MINIMUM PCB THICKNESS FOR SINGLE SIDED USE.
7. 3.0mm MINIMUM PCB THICKNESS FOR BELLY TO BELLY USE.
8. HEIGHT OF HEATSINK WITH MODULE INSERTED DIMENSION MAY BE LESS DUE TO MODULE AND HEATSINK VARIATIONS.

FUNCTIONAL SYMBOLS	THIS DRAWING CONTAINS INFORMATION THAT IS PROPRIETARY TO MOLEX ELECTRONIC TECHNOLOGIES, LLC AND SHOULD NOT BE USED WITHOUT WRITTEN PERMISSION		CURRENT REV DESC: SEE REVISION TABLE		
$\frac{E}{A} = 0$	DIMENSION UNITS mm	SCALE 2:1			
$\frac{E}{E} = 0$	GENERAL TOLERANCES (UNLESS SPECIFIED)				
$\frac{E}{P} = 0$	ANGULAR TOL $\pm 1.0^\circ$				
DIVISIONAL SYMBOLS	4 PLACES \pm	EC NO: 707054			
	3 PLACES ± 0.05	DRWN: ABHILT2	2022/04/08		
	2 PLACES ± 0.13	CHK'D: TKUMARKC	2022/05/20		
	1 PLACE ± 0.25	APPR: SCHIEN	2022/05/23		
0 PLACES \pm	INITIAL REVISION:				
DRAFT WHERE APPLICABLE MUST REMAIN WITHIN DIMENSIONS		DRWN: ABHILT2	2022/04/08		
THIRD ANGLE PROJECTION		APPR: SCHIEN	2022/05/23		
DRAWING		SERIES		DOCUMENT NUMBER	
C-SIZE		100114		1001147421	
MATERIAL NUMBER		CUSTOMER		DOC TYPE DOC PART REVISION	
SEE P/N TABLE				PSD ASY A	
SHEET NUMBER		1 OF 7			

1001147421



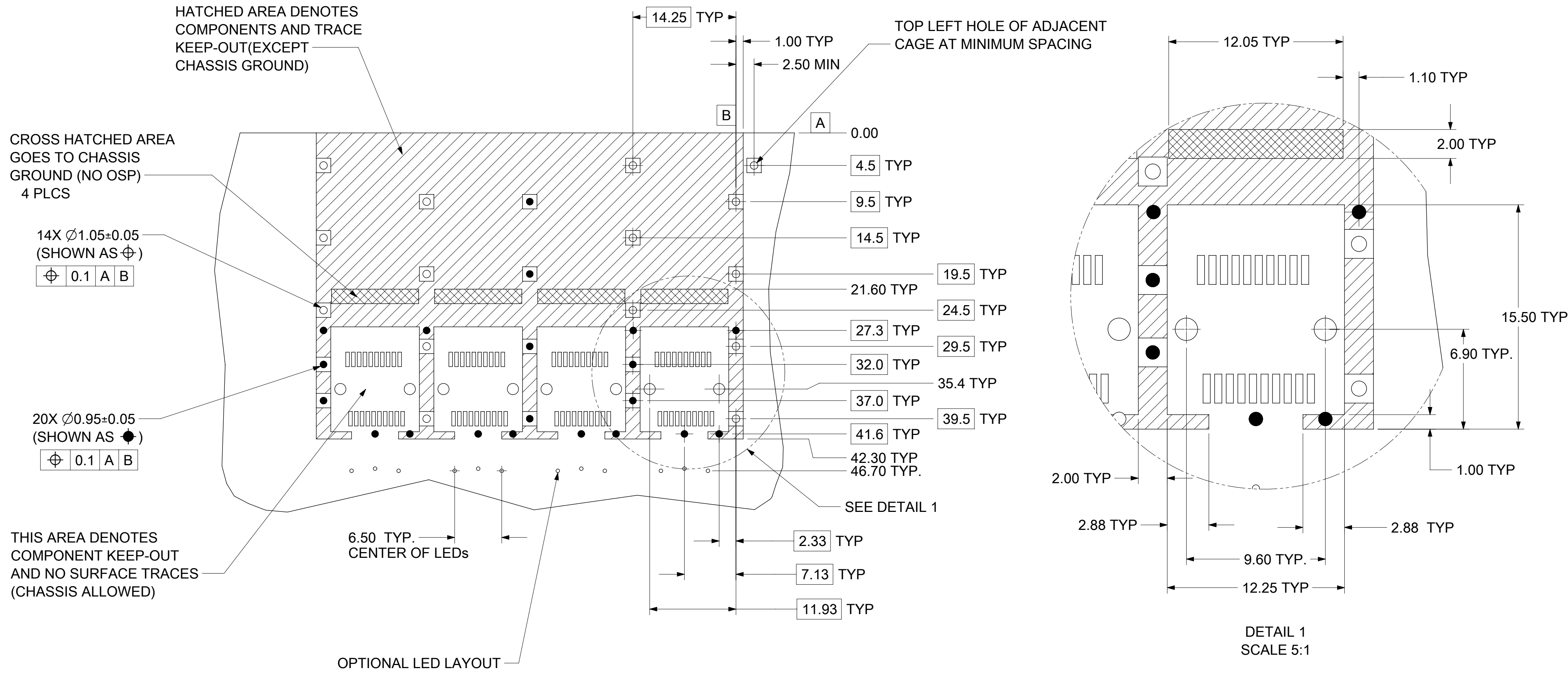
1001148422



PART NUMBER	DESCRIPTION	LIGHTPIPE
1001147421	ZSFP+ 1X4 CAGE, W/HS, DUAL LP	DUAL
1001148422	ZSFP+ 1X4 CAGE, W/HS	NO

FUNCTIONAL SYMBOLS $\nabla_A = 0$ $\nabla_C = 0$ $\nabla_P = 0$ DIVISIONAL SYMBOLS	THIS DRAWING CONTAINS INFORMATION THAT IS PROPRIETARY TO MOLEX ELECTRONIC TECHNOLOGIES, LLC AND SHOULD NOT BE USED WITHOUT WRITTEN PERMISSION		CURRENT REV DESC: SEE REVISION TABLE		
	DIMENSION UNITS	SCALE	EC NO: 707054		
	mm	2:1	DRWN: ABHILT2 2022/04/08		
	GENERAL TOLERANCES (UNLESS SPECIFIED)		CHK'D: TKUMARKC 2022/05/20		
ANGULAR TOL $\pm 1.0^\circ$		APPR: SCHIEN 2022/05/23		PRODUCT CUSTOMER DRAWING	
4 PLACES \pm		INITIAL REVISION:		DOCUMENT NUMBER	DOC TYPE DOC PART REVISION
3 PLACES ± 0.05		DRWN: ABHILT2 2022/04/08		1001147421	PSD ASY A
2 PLACES ± 0.13		APPR: SCHIEN 2022/05/23		MATERIAL NUMBER	CUSTOMER
1 PLACE ± 0.25		DRAFT WHERE APPLICABLE MUST REMAIN WITHIN DIMENSIONS		SEE P/N TABLE	SHEET NUMBER
0 PLACES \pm		THIRD ANGLE PROJECTION	DRAWING	SERIES	
			C-SIZE	100114	2 OF 7

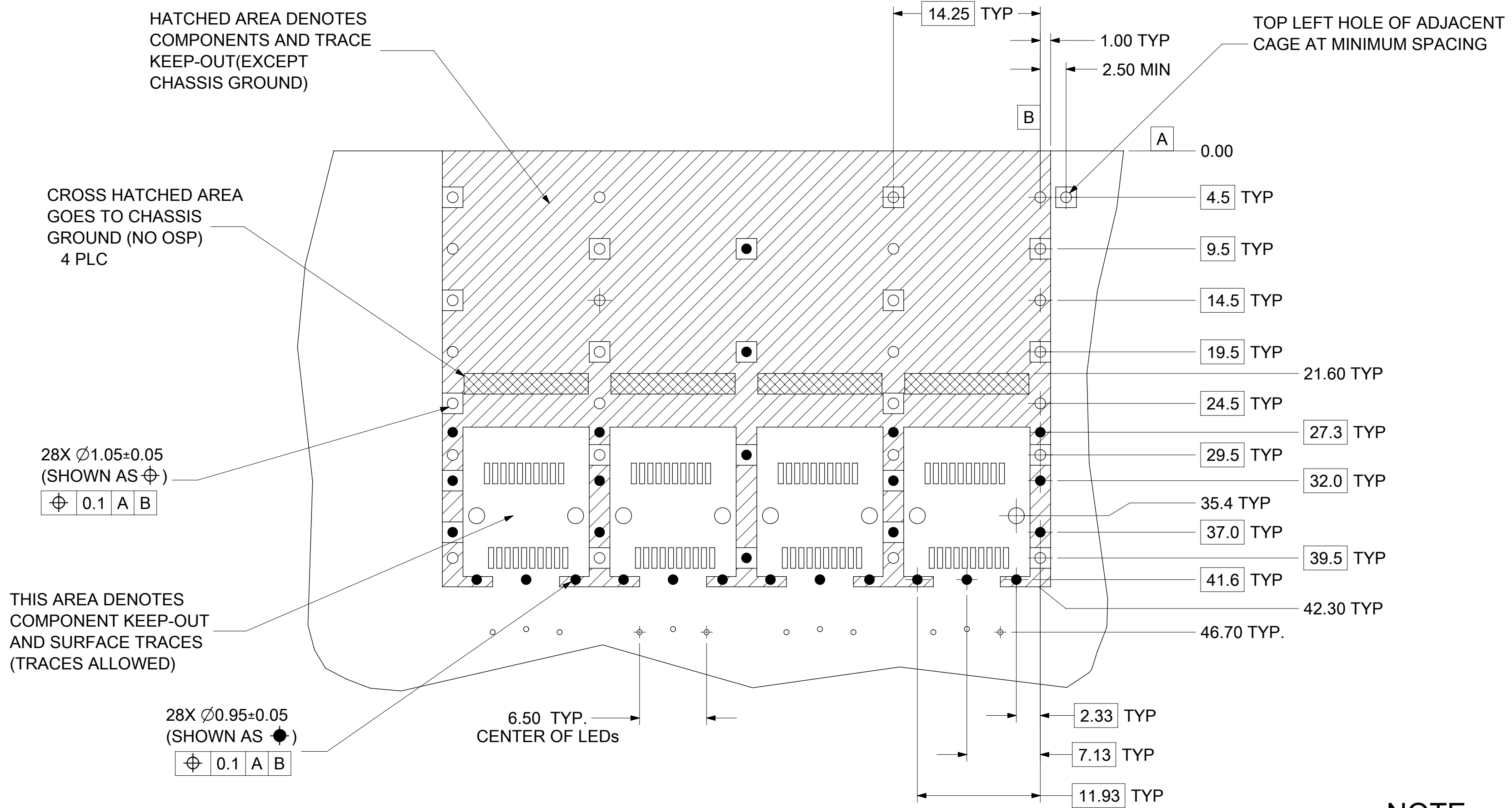
PCB LAYOUT FOR SINGLE SIDE MOUNT



- NOTES:**
1. PADS AND VIAS CONNECT TO CHASSIS GROUND (RECOMMENDED PADS TO BE 2.00mm SQUARE)
 2. RECOMMENDED THRU HOLE PLATING INCLUDES HASL, OSP, OR IMMERSION (GOLD, SILVER, OR TIN)
 3. CONNECTOR PAD LAYOUT PER SFP+MSA WILL ACCOMMODATE MOLEX CONNECTOR SERIES 170382 OR EQUIVALENT
 4. HOLE PATTERN REPEATS FOR EACH PORT, SPACING BETWEEN PORTS IS 14.25mm

FUNCTIONAL SYMBOLS $\frac{F}{A} = 0$ $\frac{F}{C} = 0$ $\frac{F}{P} = 0$	THIS DRAWING CONTAINS INFORMATION THAT IS PROPRIETARY TO MOLEX ELECTRONIC TECHNOLOGIES, LLC AND SHOULD NOT BE USED WITHOUT WRITTEN PERMISSION		CURRENT REV DESC: SEE REVISION TABLE			
	DIMENSION UNITS	SCALE				EC NO: 707054 DRWN: ABHILT2 2022/04/08 CHK'D: TKUMARKC 2022/05/20 APPR: SCHIEN 2022/05/23
	mm	2.5:1				
GENERAL TOLERANCES (UNLESS SPECIFIED)					ZSFP+ GEN2 1X4 CAGE ASSY PRESS FIT TYPE, W/SUS SF,HEAT SINK & DUAL LIGHT PIPE PRODUCT CUSTOMER DRAWING	
ANGULAR TOL ± 1.0°						
DIVISIONAL SYMBOLS					DOCUMENT NUMBER: 1001147421 DOC TYPE: PSD DOC PART: ASY REVISION: A	
4 PLACES ±					MATERIAL NUMBER: SEE P/N TABLE CUSTOMER:	
3 PLACES ± 0.05						
2 PLACES ± 0.13					SHEET NUMBER: 3 OF 7	
1 PLACE ± 0.25						
0 PLACES ±						
DRAFT WHERE APPLICABLE MUST REMAIN WITHIN DIMENSIONS			THIRD ANGLE PROJECTION 	DRAWING: C-SIZE	SERIES: 100114	

PCB LAYOUT FOR BELLY TO BELLY MOUNTING



NOTE:
SEE SHEET 3 FOR HOST CONNECTOR DETAIL

NOTES:

1. PADS AND VIAS CONNECT TO CHASSIS GROUND (RECOMMENDED PADS TO BE 2.00MM SQUARE)
2. RECOMMENDED THRU HOLE PLATING INCLUDES HASL, OSP, OR IMMERSION (GOLD, SILVER, OR TIN)
3. CONNECTOR PAD LAYOUT PER SFP+MSA WILL ACCOMMODATE MOLEX CONNECTOR SERIES 170382 OR EQUIVALENT
4. HOLE PATTERN REPEATS FOR EACH PORT, SPACING BETWEEN PORTS IS 14.25mm

FUNCTIONAL SYMBOLS	THIS DRAWING CONTAINS INFORMATION THAT IS PROPRIETARY TO MOLEX ELECTRONIC TECHNOLOGIES, LLC AND SHOULD NOT BE USED WITHOUT WRITTEN PERMISSION		CURRENT REV DESC: SEE REVISION TABLE	
	DIMENSION UNITS	SCALE		
$\frac{F}{A} = 0$	mm	3:1		
$\frac{F}{C} = 0$	GENERAL TOLERANCES (UNLESS SPECIFIED)			
	ANGULAR TOL $\pm 1.0^\circ$			
DIVISIONAL SYMBOLS	4 PLACES	\pm		
	3 PLACES	± 0.05		
	2 PLACES	± 0.13		
	1 PLACE	± 0.25		
0 PLACES	\pm			
DRAFT WHERE APPLICABLE MUST REMAIN WITHIN DIMENSIONS		THIRD ANGLE PROJECTION	DRAWING	SERIES
			C-SIZE	100114
DOCUMENT STATUS		RELEASE DATE	DOC TYPE	DOC PART
P1		2022/05/23 11:20:22	PSD	ASY
			REVISION	
			A	
DOCUMENT NUMBER		CUSTOMER	SHEET NUMBER	
1001147421		SEE P/N TABLE	4 OF 7	

molex

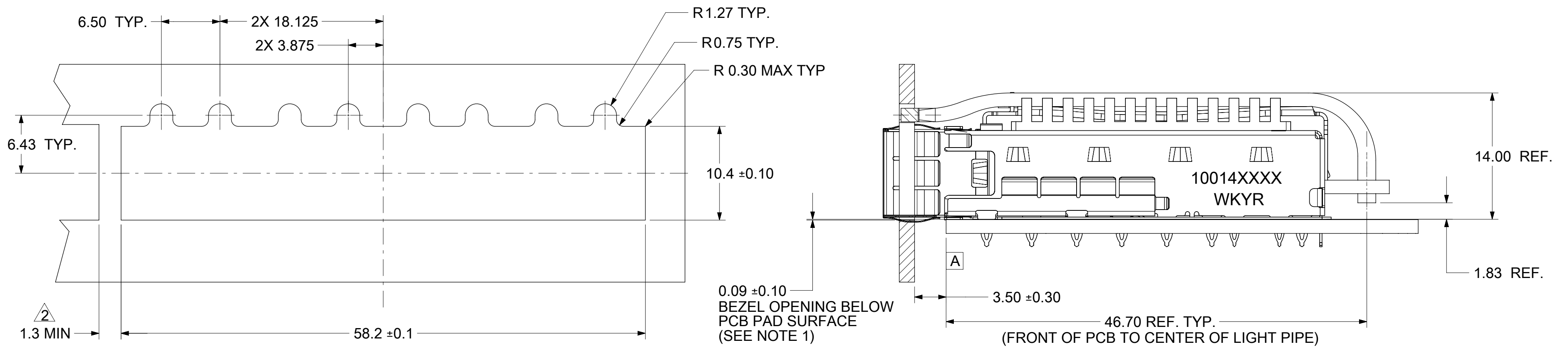
ZSFP+ GEN2 1X4 CAGE ASSY PRESS FIT TYPE, W/SUS SF,HEAT SINK & DUAL LIGHT PIPE

PRODUCT CUSTOMER DRAWING

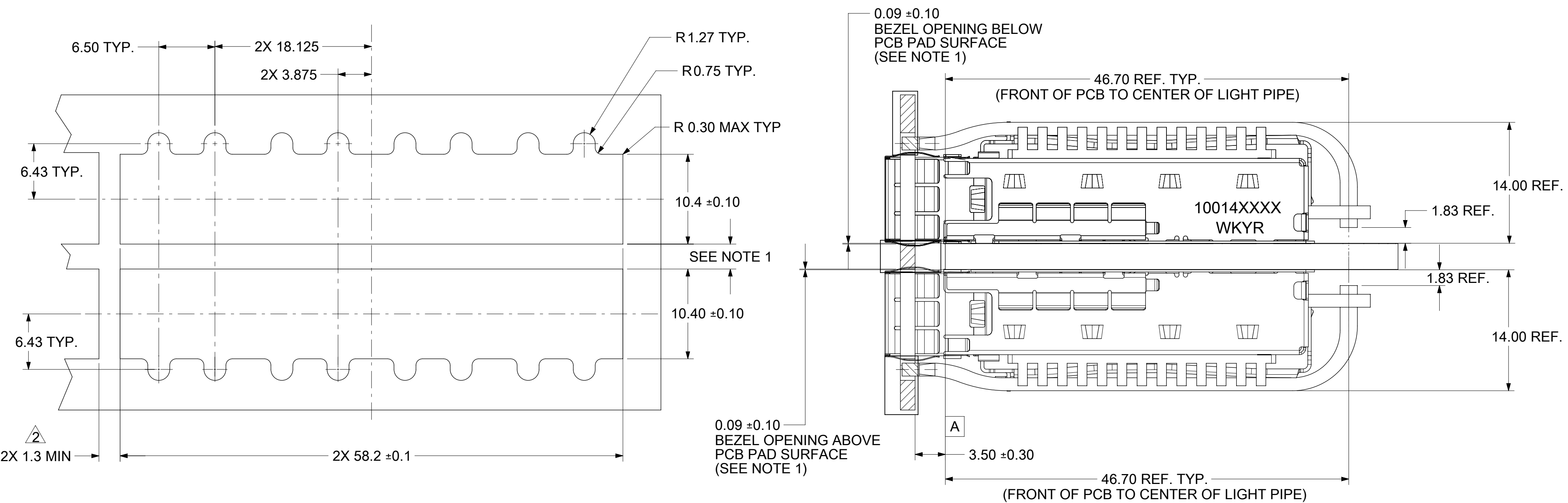
1001147421

PSD ASY A

BEZEL AND BOARD POSITION DIMENSIONS FOR SINGLE SIDE MOUNTING FOR P/N 1001147421



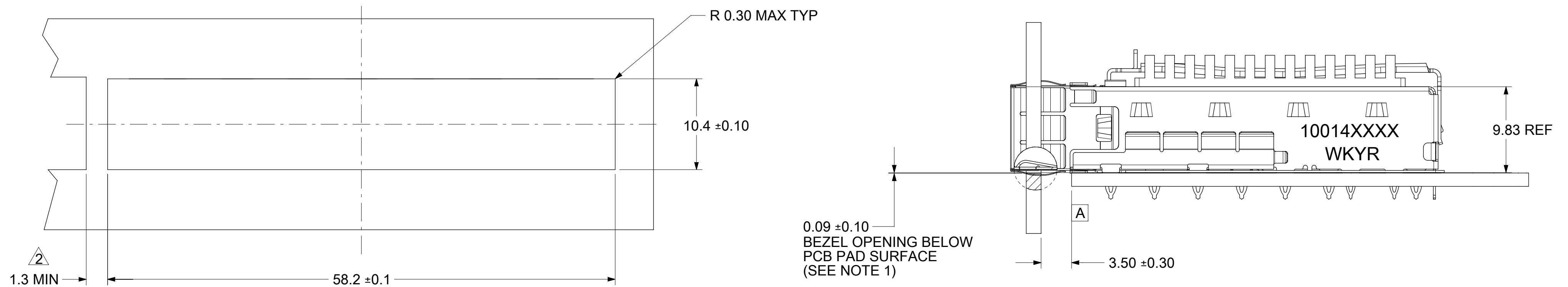
BEZEL AND BOARD POSITION DIMENSIONS FOR BELLY TO BELLY MOUNTING FOR P/N 1001147421



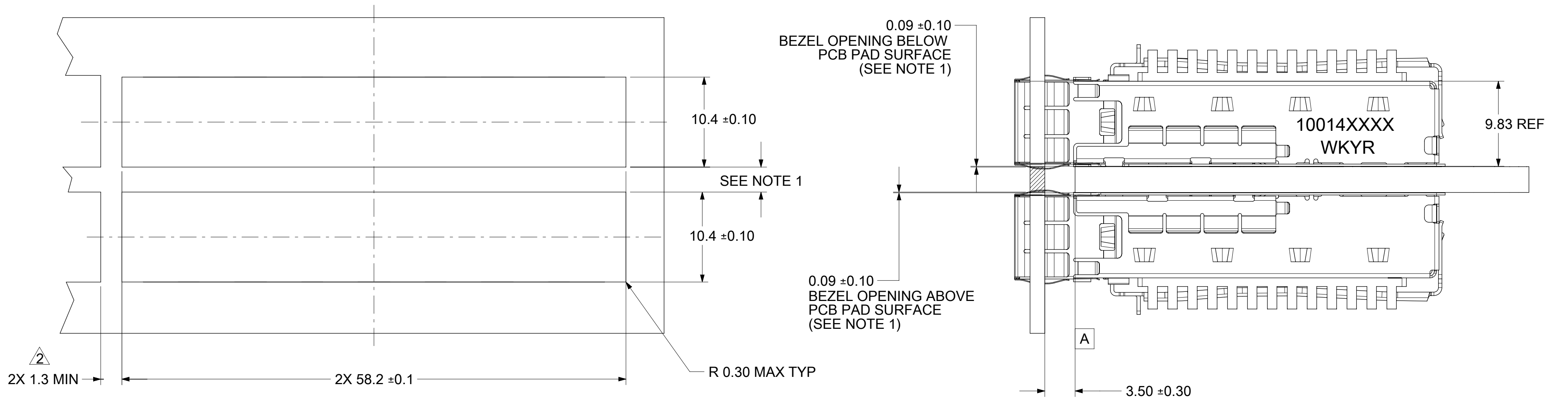
NOTE:
 1. PCB THICKNESS VARIATION MUST BE CONSIDERED WHEN DETERMINING BEZEL OPENING LOCATION.
 2. THIS DIM IS FOR REF ONLY USER CAN MODIFY IT DEPENDS ON APPLICATION, HOLE OF ADJACENT CAGE ON PCB LAYOUT VARIES BASED ON MODIFICATION.

FUNCTIONAL SYMBOLS	THIS DRAWING CONTAINS INFORMATION THAT IS PROPRIETARY TO MOLEX ELECTRONIC TECHNOLOGIES, LLC AND SHOULD NOT BE USED WITHOUT WRITTEN PERMISSION		CURRENT REV DESC: SEE REVISION TABLE	
	DIMENSION UNITS	SCALE		
$\nabla_A = 0$	mm	3:1		
$\nabla_E = 0$	GENERAL TOLERANCES (UNLESS SPECIFIED)			
	ANGULAR TOL $\pm 1.0^\circ$			
DIVISIONAL SYMBOLS	4 PLACES	\pm		
	3 PLACES	± 0.05		
	2 PLACES	± 0.13		
	1 PLACE	± 0.25		
0 PLACES	\pm			
DRAFT WHERE APPLICABLE MUST REMAIN WITHIN DIMENSIONS		THIRD ANGLE PROJECTION	DRAWING	SERIES
			C-SIZE	100114
DOCUMENT STATUS		RELEASE DATE	MATERIAL NUMBER	CUSTOMER
P1	2022/05/23 11:20:22	1001147421	SEE P/N TABLE	
PRODUCT CUSTOMER DRAWING			DOC TYPE	DOC PART
			PSD	ASY
DOCUMENT NUMBER			DOC PART	REVISION
1001147421			ASY	A
SHEET NUMBER				
5 OF 7				

BEZEL AND BOARD POSITION DIMENSIONS FOR SINGLE SIDE MOUNTING FOR P/N 1001148422



BEZEL AND BOARD POSITION DIMENSIONS FOR BELLY TO BELLY MOUNTING FOR P/N 1001148422



NOTE:
 1. PCB THICKNESS VARIATION MUST BE CONSIDERED WHEN DETERMINING BEZEL OPENING LOCATION
 2. THIS DIM IS FOR REF ONLY USER CAN MODIFY IT DEPENDS ON APPLICATION, HOLE OF ADJACENT CAGE ON PCB LAYOUT VARIES BASED ON MODIFICATION.

FUNCTIONAL SYMBOLS	THIS DRAWING CONTAINS INFORMATION THAT IS PROPRIETARY TO MOLEX ELECTRONIC TECHNOLOGIES, LLC AND SHOULD NOT BE USED WITHOUT WRITTEN PERMISSION		
	DIMENSION UNITS	SCALE	CURRENT REV DESC: SEE REVISION TABLE
$\nabla_A = 0$	mm	1:1	EC NO: 707054 DRWN: ABHILT2 CHK'D: TKUMARKC APPR: SCHIEN
$\nabla_C = 0$	GENERAL TOLERANCES (UNLESS SPECIFIED)		
$\nabla_P = 0$	ANGULAR TOL ± 1.0°		2022/04/08
DIVISIONAL SYMBOLS	4 PLACES	±	2022/05/20
	3 PLACES	±	2022/05/23
	2 PLACES	±	2022/05/23
	1 PLACE	±	2022/04/08
	0 PLACES	±	2022/05/23
DRAFT WHERE APPLICABLE MUST REMAIN WITHIN DIMENSIONS		THIRD ANGLE PROJECTION	DRAWING SERIES
			C-SIZE 100114
DOCUMENT STATUS		RELEASE DATE	DOCUMENT NUMBER
P1		2022/05/23 11:20:22	1001147421
			DOC TYPE DOC PART REVISION
			PSD ASY A
			MATERIAL NUMBER CUSTOMER SHEET NUMBER
			SEE P/N TABLE 6 OF 7

REV	DATE	DESCRIPTION
A	2022/05/20	INITIAL RELEASE

FUNCTIONAL SYMBOLS	THIS DRAWING CONTAINS INFORMATION THAT IS PROPRIETARY TO MOLEX ELECTRONIC TECHNOLOGIES, LLC AND SHOULD NOT BE USED WITHOUT WRITTEN PERMISSION									
$\frac{F}{A} = 0$	DIMENSION UNITS	SCALE	CURRENT REV DESC: SEE REVISION TABLE						molex	
$\frac{E}{C} = 0$	mm	5:1	EC NO: 707054 DRWN: ABHILT2 2022/04/08 CHK'D: TKUMARKC 2022/05/20 APPR: SCHIEN 2022/05/23 INITIAL REVISION: DRWN: ABHILT2 2022/04/08 APPR: SCHIEN 2022/05/23						ZSFP+ GEN2 1X4 CAGE ASSY PRESS FIT TYPE, W/SUS SF,HEAT SINK & DUAL LIGHT PIPE	
$\frac{E}{P} = 0$	GENERAL TOLERANCES (UNLESS SPECIFIED)	ANGULAR TOL ± 1.0°							PRODUCT CUSTOMER DRAWING	
DIVISIONAL SYMBOLS	4 PLACES ±	3 PLACES ± 0.05							DOCUMENT NUMBER	
2 PLACES ± 0.13	1 PLACE ± 0.25	0 PLACES ±	1001147421	PSD	ASY	A				
DRAFT WHERE APPLICABLE MUST REMAIN WITHIN DIMENSIONS		THIRD ANGLE PROJECTION	DRAWING	SERIES	MATERIAL NUMBER	CUSTOMER	SHEET NUMBER			
			C-SIZE	100114	SEE P/N TABLE		7 OF 7			