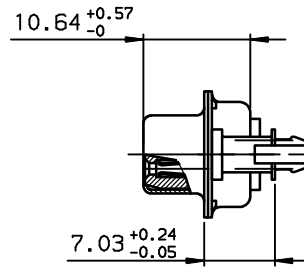
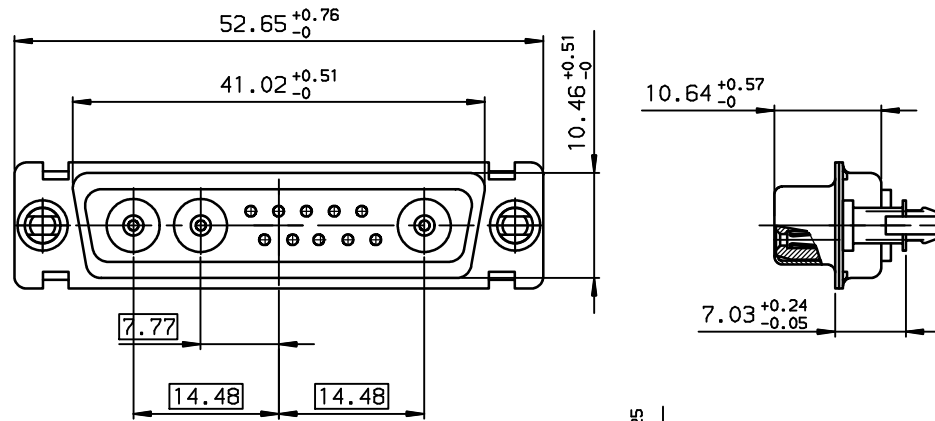
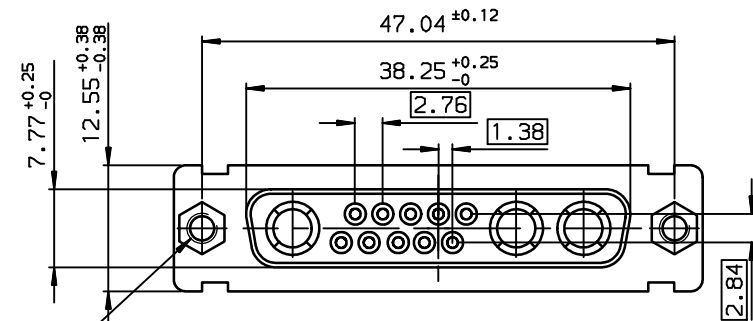
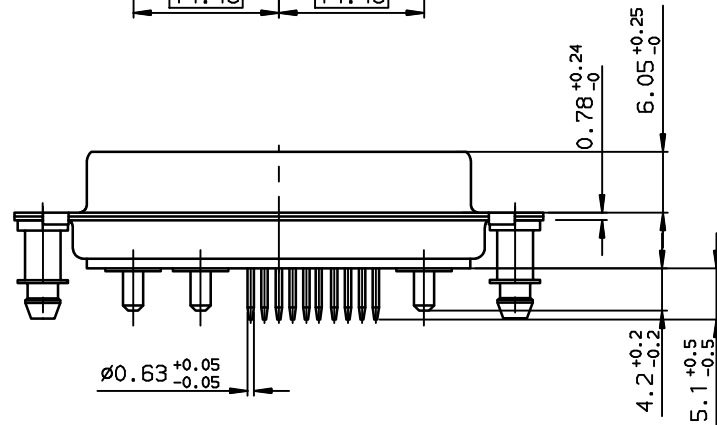
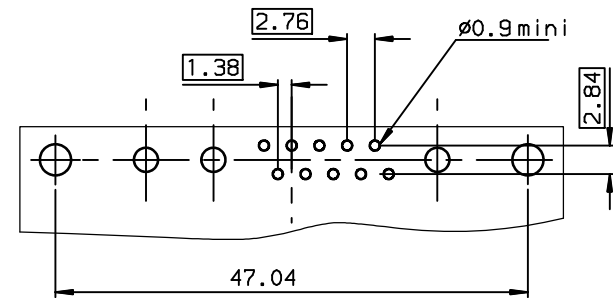




Copyright FCI.



LAYOUT DIMENSIONS (after plating)
CONNECTOR SIDE VIEW



Threaded

TIN-LEAD PART NUMBER

LEAD FREE PART NUMBER

DBL13W3S300G30	M3
DB013W3S300G30	UNC 4.40
DBL13W3S300G40	M3
DB013W3S300G40	UNC 4.40
DBL13W3S300H30	M3
DB013W3S300H30	UNC 4.40
DBL13W3S300H40	M3
DB013W3S300H40	UNC 4.40
PART NUMBER	Threaded A

DBL13W3S300G30LF	M3
DB013W3S300G30LF	UNC 4.40
DBL13W3S300G40LF	M3
DB013W3S300G40LF	UNC 4.40
DBL13W3S300H30LF	M3
DB013W3S300H30LF	UNC 4.40
DBL13W3S300H40LF	M3
DB013W3S300H40LF	UNC 4.40
PART NUMBER	Threaded A

GENERAL CHARACTERISTICS AND ROHS INFORMATIONS:
SEE DRAWING C01-8639-0000

European Views

www.fciconnect.com		surface ISO 1302 ✓	tolerance std ISO 406 ISO 1101	projection mm
TOLERANCES UNLESS OTHERWISE SPECIFIED				
Dr	JARRY	1997/02/10	ANGULAR	size A3
Eng	PESSON	1997/02/10	LINEAR	Scale 1.5
Chr	LEGARE	1997/02/10	0.xx' ±2'	ECN LS06-0095
Appr	LEGARE	1997/02/10	Product family	D-SUB Spec ref -
FCI		title SOCKET CONNECTOR WITH STRAIGHT CONTACT		Rev. F
catalog no		-		CUSTOMER sheet 1 of 1

rev	ecn no	dr	date
D	-	DEB	2003/10/21
E	LS05-001	MPE	2005/03/07
F	LS06-0095	LGO	2006/07/20
-	-	-	-
-	-	-	-
-	-	-	-
-	-	-	-

REV F - 2006-04-17