



Pb Free

RoHS Compliant

Features

- Small, Low Profile (4.1×1.5×0.75mm)
- Ceramic Package
- Pb Free
- Reflow Compatible

Applications

- Small size mobile equipment

How to Order

ST4115SB 32768

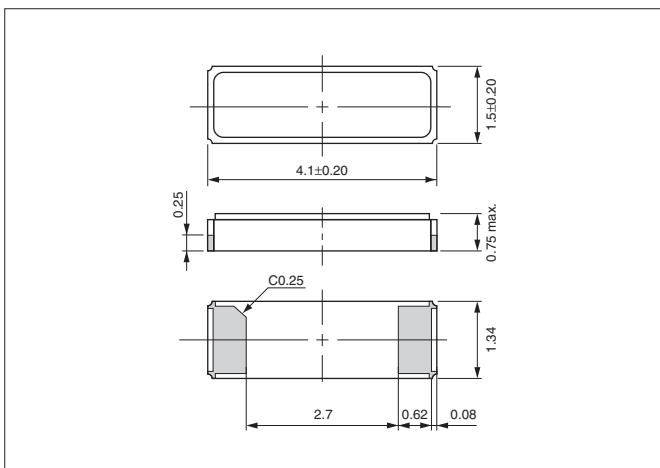
- ① Series
- ② Frequency
32.768kHz
- ③ Load Capacitance
H5 12.5 pF
- ④ Frequency Stability
H ±20×10⁻⁶
- ⑤ Operating Temp. Range
P -40 to +85°C
- ⑥ Frequency Temp. Stability
W ±200×10⁻⁶
- ⑦ Individual Specification... Std.Spec. as "ZZ"

Specifications

Item	Symbol	Specification	Units	Remarks
Nominal Frequency	f _{nom}	32.768	kHz	
Frequency Tolerance	f _{tol}	±20	×10 ⁻⁶	@25°C
Turnover Temperature	T _i	+25±5	°C	
Parabolic Coefficient	B	-0.04 max.	×10 ⁻⁶	
Motional Resistance	R ₁	65 max.	k-ohm	
Motional Capacitance	C ₁	2.3 typ.	fF	
Shunt Capacitance	C ₀	1.5 typ.	pF	
Load Capacitance	CL	12.5	pF	Please consult us
Drive Level	DL	0.1	μW	
Operating Temp. Range	T _{use}	-40 to +85	°C	
Storage Temp. Range	T _{stg}	-55 to +125	°C	
Frequency Aging	f _{age}	±3	×10 ⁻⁶	

Dimensions

(Unit: mm)



Recommended Land Pattern

(Unit: mm)

