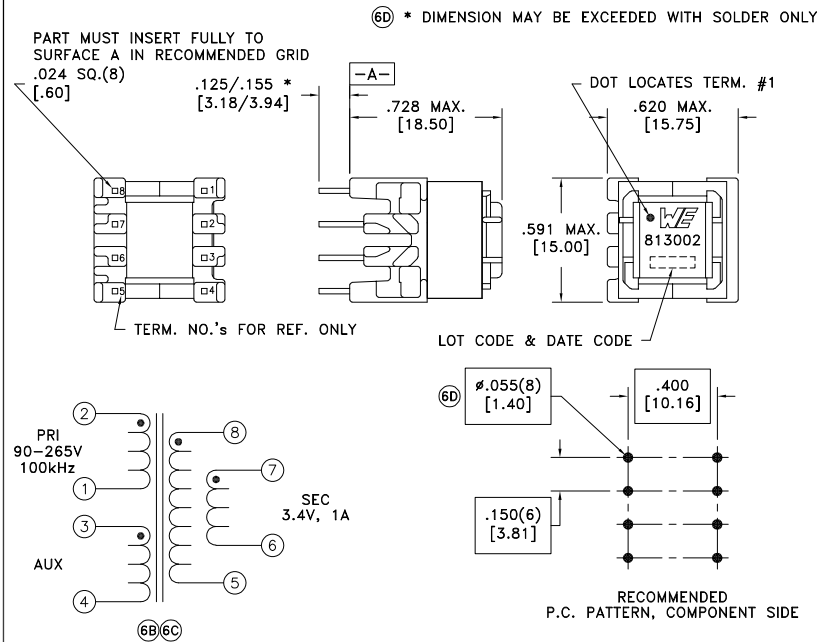


CUSTOMER TERMINAL	RoHS	LEAD(Pb)-FREE
Sn96%, Ag4%	Yes	Yes



ELECTRICAL SPECIFICATIONS @ 25°C unless otherwise noted:

PARAMETER	TEST CONDITIONS	VALUE
D.C. RESISTANCE	1-2 @20°C	6.25 ohms ±10%
D.C. RESISTANCE	3-4 @20°C	1.70 ohms ±10%
D.C. RESISTANCE	5-8 @20°C	0.035 ohms max.
D.C. RESISTANCE	6-7 @20°C	0.030 ohms max.
INDUCTANCE	1-2 10kHz, 100mVAC, Ls	2.00mH ±20%
SATURATION CURRENT	20% rolloff from initial	350mA
LEAKAGE INDUCTANCE	1-2 tie(3+4, 5+6+7+8), 100kHz, 100mVAC, Ls	20uH typ., 40uH max.
⑥B DIELECTRIC	2-8 tie(1+3, 7+8), 4500VAC, 1 second	4500VAC, 1 minute
DIELECTRIC	2-3 1250VAC, 1 second	1000VAC, 1 minute
TURNS RATIO	(2-1):(8-5)	20:1, ±1%
TURNS RATIO	(2-1):(7-6)	20:1, ±1%
TURNS RATIO	(2-1):(3-4)	4:1, ±1%

GENERAL SPECIFICATIONS:

OPERATING TEMPERATURE RANGE: -40°C to +125°C including temp rise.

Designed to comply with the following requirements as defined by IEC61558-2-17:
 ⑥B - Reinforced insulation for a primary circuit at a working voltage of 400VDC.

Wire insulation & RoHS status not affected by wire color.
 Wire insulation color may vary depending on availability.

REV.	DATE	Packaging Specifications		Tolerances unless otherwise specified: Angles: ±1° Fractions: ±1/64 Decimals: ±.005 [.13] Footprint: ±.001 [.03]	DRAWING TITLE	PART NO.
6D	1/23	Method: Tray		This drawing is dual dimensioned. Dimensions in brackets are in millimeters.	TRANSFORMER	750813002
6C	7/11	PKG-0732				
6B	2/11	www.we-online.com/midcom				
6A	12/10	SEE REVISION SHEET FOR REVISION LEVEL				