

THIS DRAWING IS UNPUBLISHED.

RELEASED FOR PUBLICATION

© COPYRIGHT - By -

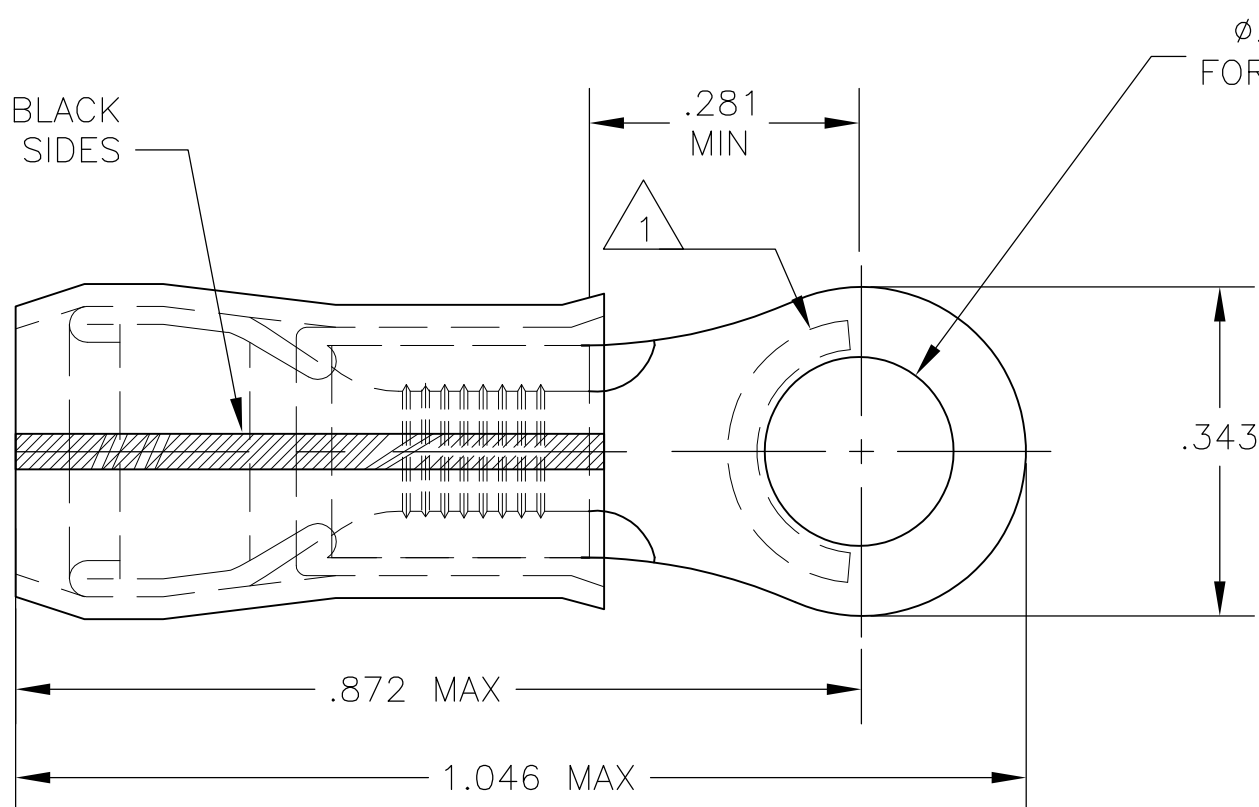
ALL RIGHTS RESERVED.

LOC G DIST 14

REVISIONS

P	LTR	DESCRIPTION	DATE	DWN	APVD
	C2	REVISED PER ECO-14-015178	09OCT2014	NK	DR

STRIPED: BLACK BOTH SIDES



1 STAMP "AMP 16-14 HD*" LOCATED APPROX AS SHOWN.

- 2 TONGUE MATERIAL THK IS .050 MAX
- 3 FOR .230 MAX WIRE INSULATION DIA.

QTY	PACKAGE TYPE	MATERIAL & FINISH	PART NUMBER
PRELIMINARY	2500	TAPE & REEL	2-53983-1
500	LOOSE PIECE	BODY & SLEEVE: COPPER PER ASTM B152 TIN LEAD (93-7) PLATE PER ASTM B545 (3% MIN LEAD CONTENT) INSULATION: PVF2, COLOR - NATURAL	53983-1

THIS DRAWING IS A CONTROLLED DOCUMENT.		DWN jr_ruth 14SEP04	STE TE Connectivity	
DIMENSIONS: INCHES		CHK T MICHELUTTI 14SEP04		
TOLERANCES UNLESS OTHERWISE SPECIFIED:		APVD T MICHELUTTI 14SEP04	NAME	
0 PLC ± -		PRODUCT SPEC	WIRE TERMINAL	
1 PLC ± -		APPLICATION SPEC	PVF2 - PIDG - RING TONGUE	
2 PLC ± -		WEIGHT -	SIZE A3	CAGE CODE 00779
3 PLC ± .008		CUSTOMER DRAWING	DRAWING NO C-53983	RESTRICTED TO -
4 PLC ± -			SCALE 5:1	SHEET 1 OF 1
ANGLES ± 5°			REV C2	
FINISH -				