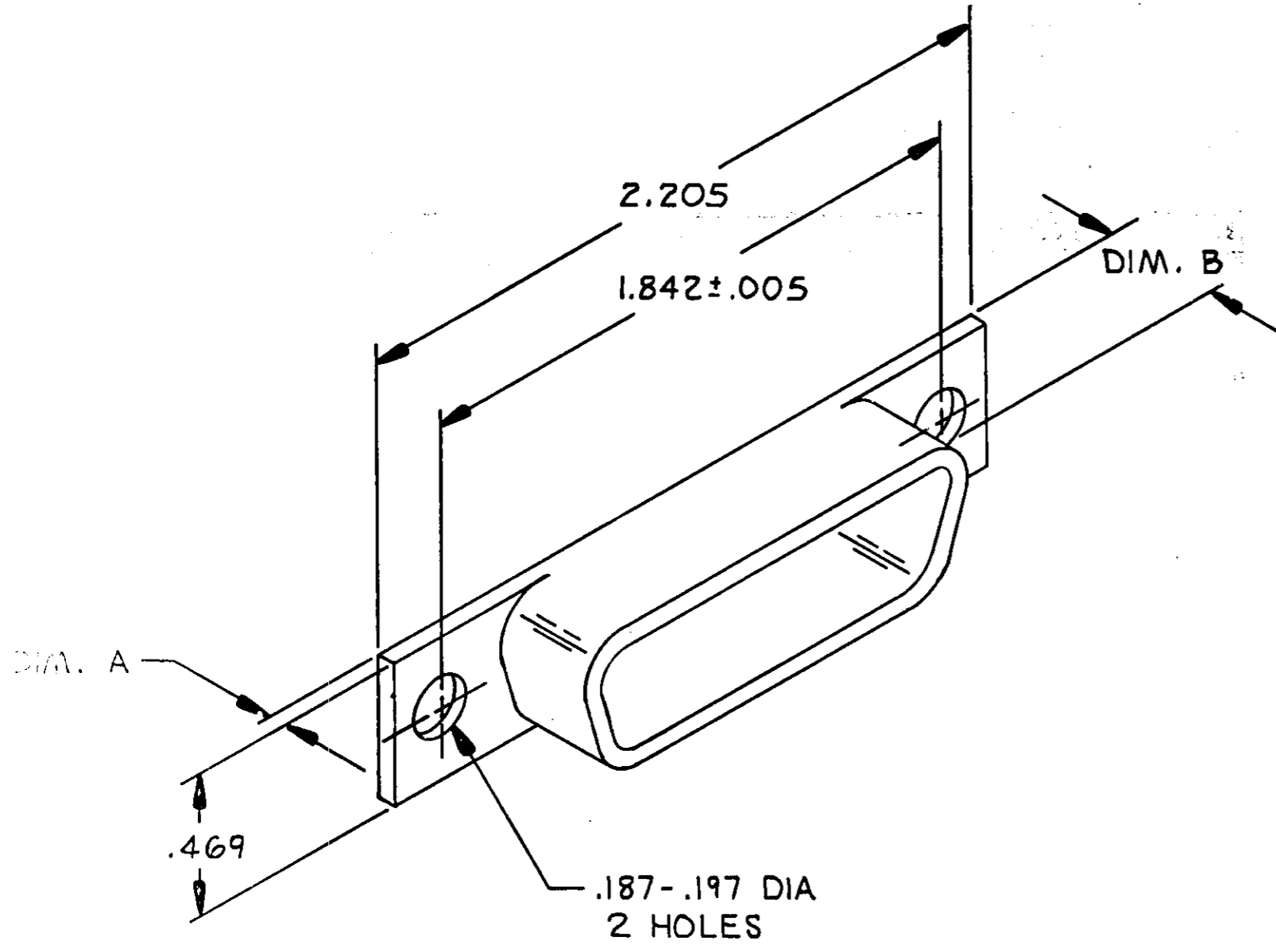


REVISIONS						
P	F	ZONE	LTR	DESCRIPTION	DATE	APPROVED
A			A	ADD -2; NPI C87-5	1-21-87	<i>[Signature]</i>



- ALL DIMENSIONS SHOWN ARE MAXIMUM UNLESS OTHERWISE SPECIFIED.
- BRIGHT NICKEL OVER COPPER PLATED ZINC DIE CASTING.

.393	.073	55514G-2
.373	.053	55514G-1
DIM. B	DIM. A	PART NO

UNLESS OTHERWISE SPECIFIED DIMENSIONS ARE IN INCHES. TOLERANCES ON: DECIMALS ± ANGLES ±	CONTRACT NO	AMP AMP INCORPORATED Harrisburg, Pa.		
	DR <i>V.E. Slack 1/15/87</i>			
	MATERIAL	CHK <i>A. Fox 1-16-87</i>	NAME	
	APPD <i>[Signature]</i> APPD <i>[Signature]</i> DSGN APPD <i>[Signature]</i>	APPD <i>[Signature]</i> APPD <i>[Signature]</i>	SHIELD, RECEPTACLE, 24 POSITION, RIGHT ANGLE, CHAMP®	
FINISH	OTHER APPD	SIZE B	FSCM NO 00779	DRAWING NO 55514G
		SCALE 2:1	SHEET 1 OF 1	

CUSTOMER DRAWING