

Single Port Vertical Mount RJ45

ARV11-4514

- 10/100 Base-T for SOHO/ADSL modems
- Meets IEEE802.3 standard
- Operating Temp: 0°C to +70°C



Electrical Specifications @ 25°C

Allied Part Number	OCL(μH Min) @ 100kHz, 0.1V With 8mA DC Bias	Turns Ratio chip: cable (±2%)	Cross Talk (dB Min)			Insertion Loss (dB Max) 0.1-100MHz
	1-30MHz		30-60MHz	60-100MHz		
ARV11-4514	350	1CT :1CT	-40	-35	-30	-1.0

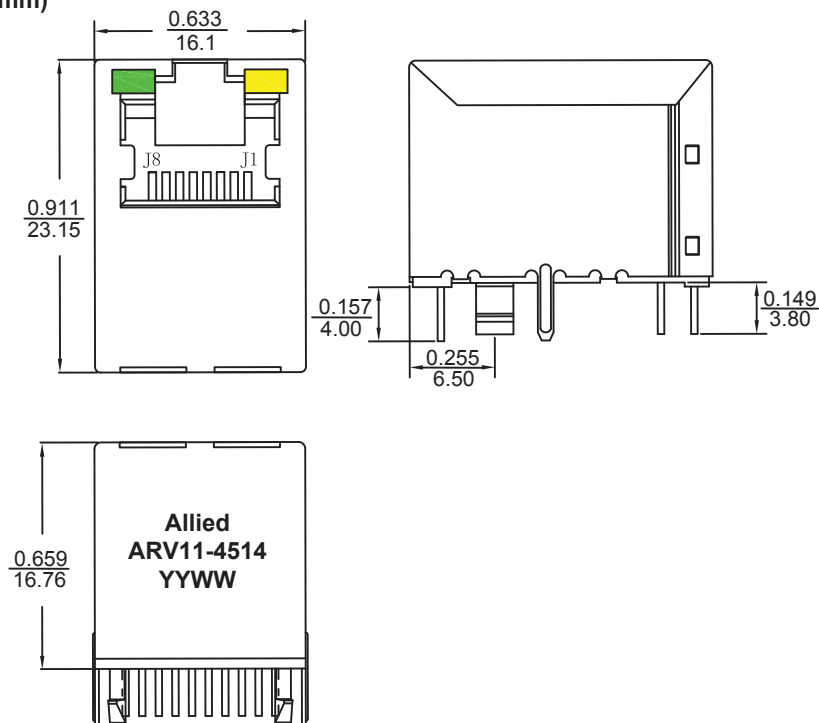
Electrical Specifications @ 25°C

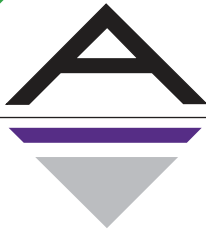
Allied Part Number	Common Mode Rejection (dB Typ)		Return Loss (dB Min)				Hi-Pot Test
	1-50MHz	50-150MHz	1-30MHz	30-60MHz	60-80MHz	80-100MHz	
ARV11-4514	-40	-30	-18	-16	-12	-10	1500Vrms

All specifications subject to change without notice.

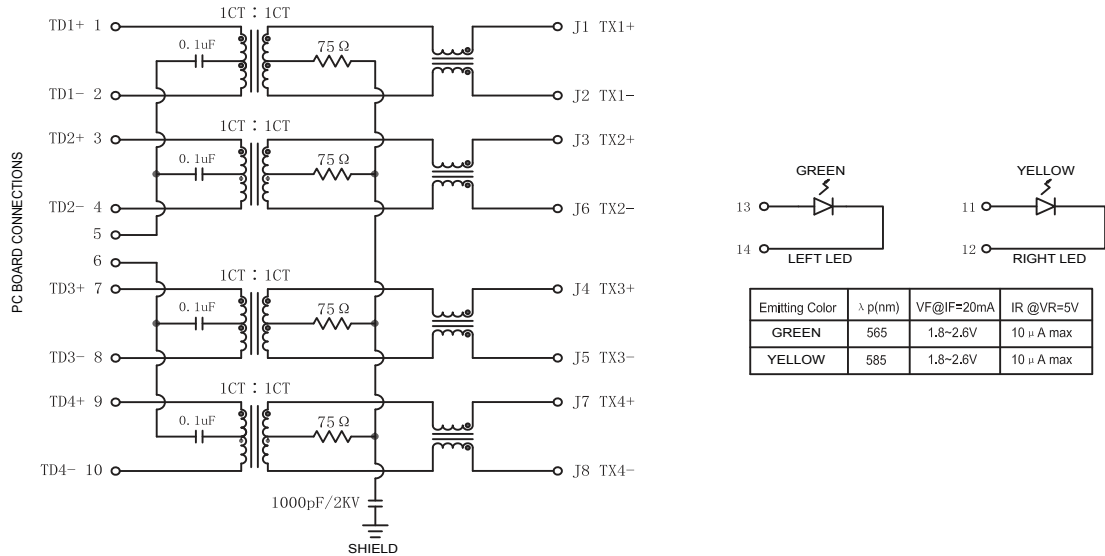
MECHANICAL

DIMENSIONS: inch(mm)

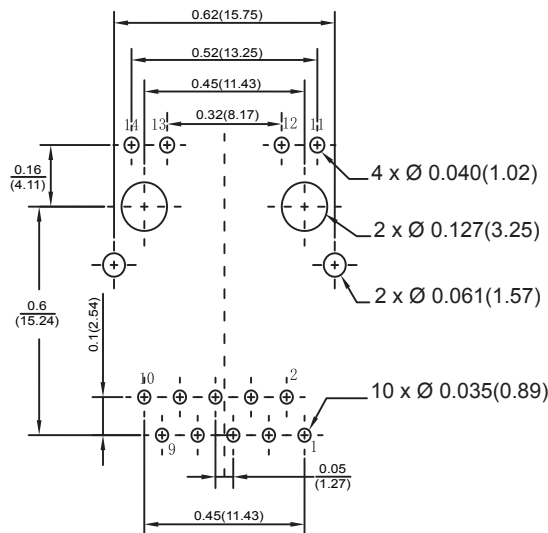




SCHEMATICS



PCB LAYOUT



NOTES

1. Connector Materials:

Housing Material: Thermoplastic PBT+30%G.F UL94V-0

Contact/Shield: Copper alloy

Shield Plating: Nickel

Contact Plating: Gold 6 μ " min. In contact area

Wave Solder tip temperature: 265°C Max, 5Sec Max