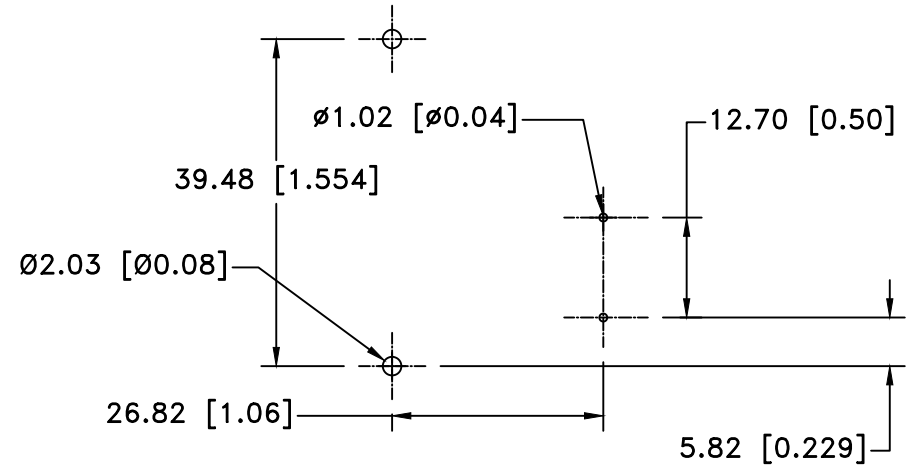
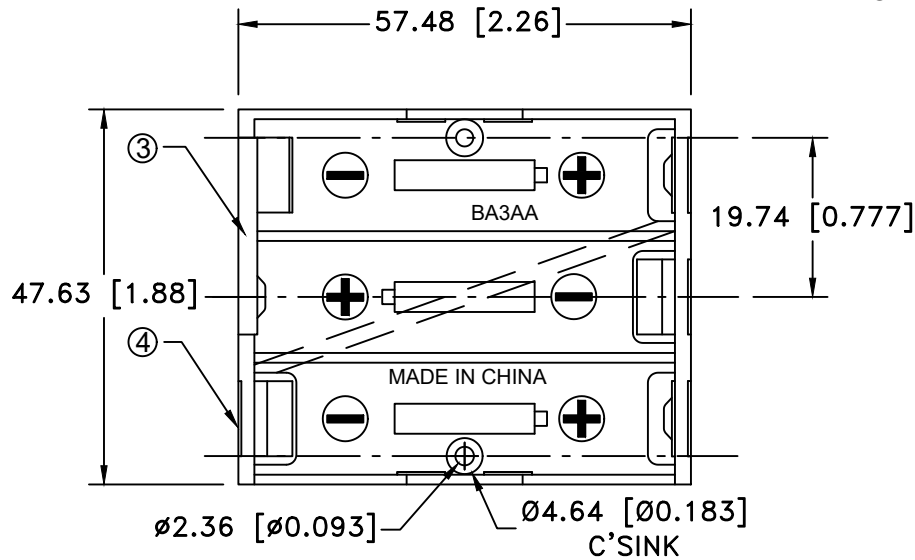


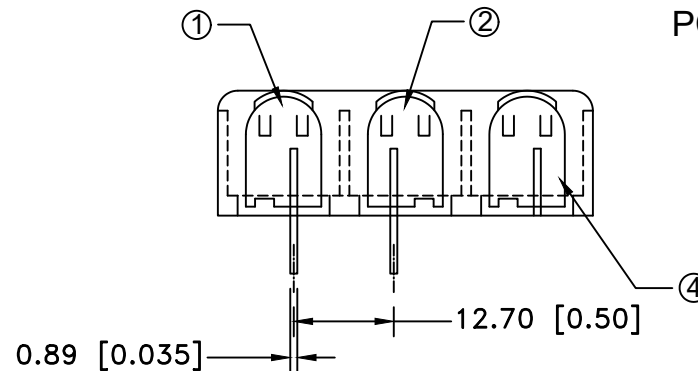
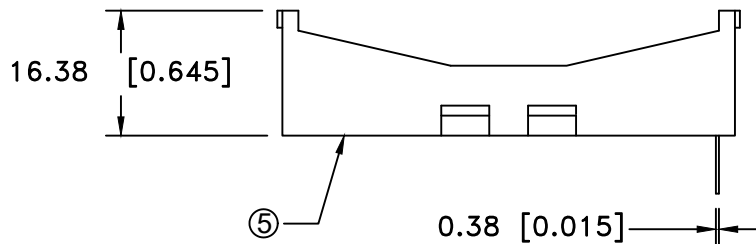
MOUNTING INSTRUCTION:

USE 2-56 MACHINE SCREWS OR EYELETS 0.089" OD BY 0.15" FLANGE STIMPSON GS-3 SERIES OR EQUIVALENT. ALSO ADHESIVES AND DOUBLE SIDED TAPES WORK WELL.

Date	SYM	REVISION RECORD	AUTH	DR.	CK.
4/22/06	A	ADDED "ROHS COMPLIANT"	T.B.	B.S.	
10/28/06	B	Added mounting instruction. Ø2.36 was 2.18. Ø4.57 was 4.70	T.B.	B.S.	
10/17/14	C	Updated to ROHS 2 Compliant	T.B.	B.S.	
07/01/16	D	Changed contact material to 301 Stainless Steel	T.B.	B.S.	
05/11/18	E	Dim. 4.64 was 4.57 Dim. 2.03 was 2.36	T.B.	B.S.	



PCB LAYOUT



ROHS COMPLIANT

ITEM NO.	PART NO.	MATL. SPECIFICATION	QTY.	Tolerance (Except as noted)	MPD Memory Protection Devices, Inc 200 Broad Hollow Road, Farmingdale, New York 11735		
1	ABG-194	POSITIVE CONTACT, 301 STAINLESS STEEL, NICKEL PLTD.	2	decimal	Scale	Drawn By B.S.	
2	ABG-195	NEGATIVE CONTACT, 301 STAINLESS STEEL, NICKEL PLTD.	1	±.5 (.020)			
3	ABG-196-1	RIGHT NEG./POS. CONTACT, 301 STAINLESS STEEL, NICKEL PLTD.	1	Fractional	Title THREE "AA" CELL SPRINGLESS HOLDER		
4	ABG-201	ASSY. NEG./POS. CONTACT, 301 STAINLESS STEEL, NICKEL PLTD.	1	± .8 (.030)			
5	ABG-198	BLACK POLYPROPYLENE HOLDER, UL94-HB	1	Angular	Date	Drawing Number	
SPECIFICATION: 1. HOUSING : BLACK POLYPROPYLENE, PP-1040 FLAMMABILITY RATING -UL94-HB, UL FILE NO. E216959 TEMPERATURE RANGE: -10°C to +100°C CONTACT RESISTANCE: UNDER 50mΩ FOR +/- CONTACTS PER EIA-540J000				± 3°	05/11/18	BA3AAPC	