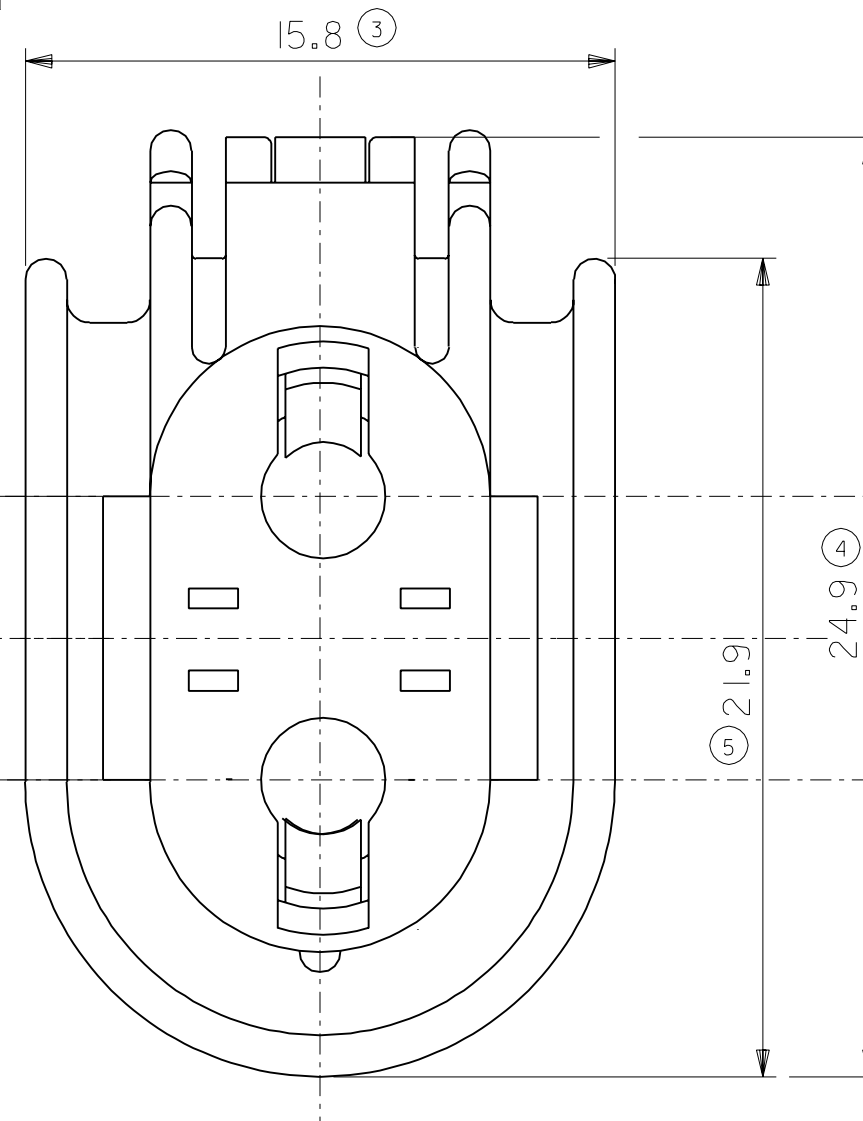
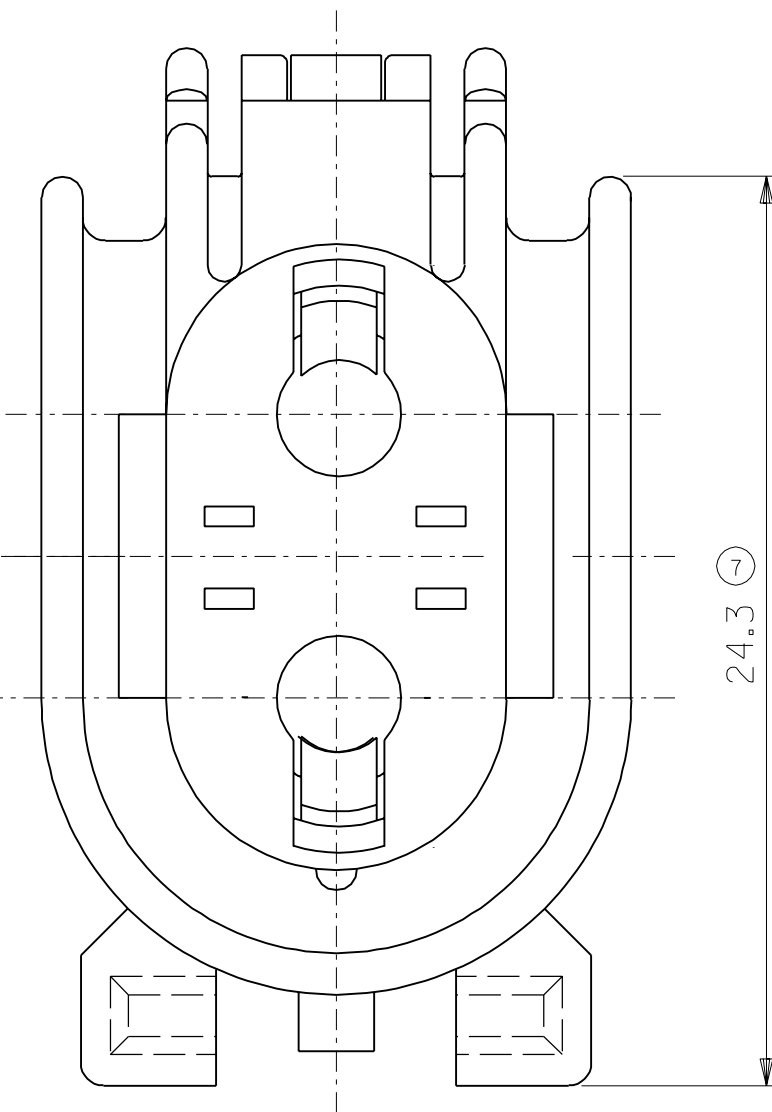


2 SPACER  
1 ST STOP POSITION  
(COLOR RED)



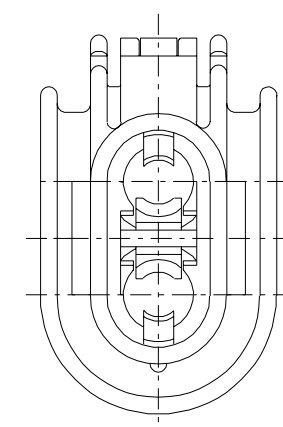
VERSION WITHOUT MOUNTING-CLIP



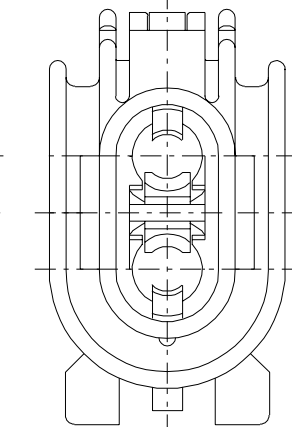
VERSION WITH MOUNTING-CLIP

MATERIAL: 1 PBTP 30% GV  
2 PBTP 30% GV

COLOR	FARBE	RAL	MOLEX-NO.
BLACK	SCHWARZ	9005	98020-0001
BROWN	BRAUN	8017	98020-0002
BLUE	BLAU	5015	98020-0003
GREEN	GRUEN	6001	98020-0004
YELLOW	GELB	1018	98020-0005
GREY	GRAU	7035	98020-0006
ORANGE	ORANGE	1007	98020-0007
NATURAL	NATUR	-	98020-0008



COLOR	FARBE	RAL	MOLEX-NO.
BLACK	SCHWARZ	9005	98020-0011
BROWN	BRAUN	8017	98020-0012
BLUE	BLAU	5015	98020-0013
GREEN	GRUEN	6001	98020-0014
YELLOW	GELB	1018	98020-0015
GREY	GRAU	7035	98020-0016
ORANGE	ORANGE	1007	98020-0017
NATURAL	NATUR	-	98020-0018



MOLEX - CODE (ANY No.)  
 XXXXX - X X X X  
 I-8 COLOR  
 O=WITHOUT CLIP  
 I=WITH CLIP  
 O=HOUSING WITH SPACER  
 I=HOUSING WITHOUT SPACER  
 BASIC PART - NO.

FOR PREVIOUS  
DRAWING ISSUES  
SEE "EDIS"

ECN MXC 2678 23.09.97 NME	LTR I I	REVISIONS	THIRD ANGLE PROJECTION	REVISE ONLY ON CAD SYSTEM	SH. REV.
			DIMENSIONS SHOWN ( METRIC ) INCH UNLESS OTHERWISE SPECIFIED TOLERANCES: ANGULAR * INCH ( METRIC )	CAD/CAM FILENAME SDA98020 DGN	THIS DRAWING CONTAINS INFORMATION THAT IS PROPRIETARY TO MOLEX INC. & SHOULD NOT BE USED WITHOUT WRITTEN PERMISSION
			DRWG BY NME	TITLE 2-WAY HOUSING FOR FEMALE TERMINAL NON WATERPROOF 2.8-SYSTEM	
			CHK'D BY SCH	MOLEX MOLEX EUROPE	SHEET NO. DATE 1 / 1 19 / 02 / 87
			APP'D BY JHO	SCALE 5:1	PART NO. DWG NO. SIZE SEE TABLE SDA-98020 C