

注記 NOTES:

- 使用材料 MATERIAL
 ウエハー: 液晶ポリマー (LCP) ガラス充填 UL94V-0 (黒)
 WAFER: LIQUID CRYSTAL POLYMER (GLASS FILLED) UL94V-0 (COLOR:BLACK)
 ピン: 黄銅 (t=0.12)
 PIN: BRASS (t=0.12)
 金具: リン青銅 (t=0.2)
 FITTING NAIL: PHOSPHOR BRONZE (t=0.2)
- メッキ仕様 PLATING
 ターミナル/TERMINAL
 コンタクト部: 金めっき (0.381µm以上)
 CONTACT AREA: GOLD PLATING (0.381 MICROMETER MINIMUM)
 テール部: 金めっき
 SOLDER TAIL AREA: GOLD PLATING
 下地メッキ: ニッケルメッキ 1.5 マイクロメートル以上
 UNDER PLATING: NICKEL 1.5MICROMETER MINIMUM
 金具 FITTING NAIL
 錫メッキ 1.0 マイクロメートル以上
 TIN PLATING 1.0MICROMETER MINIMUM
 下地メッキ: ニッケルメッキ 1.0 マイクロメートル以上
 UNDER PLATING: NICKEL 1.0MICROMETER MINIMUM

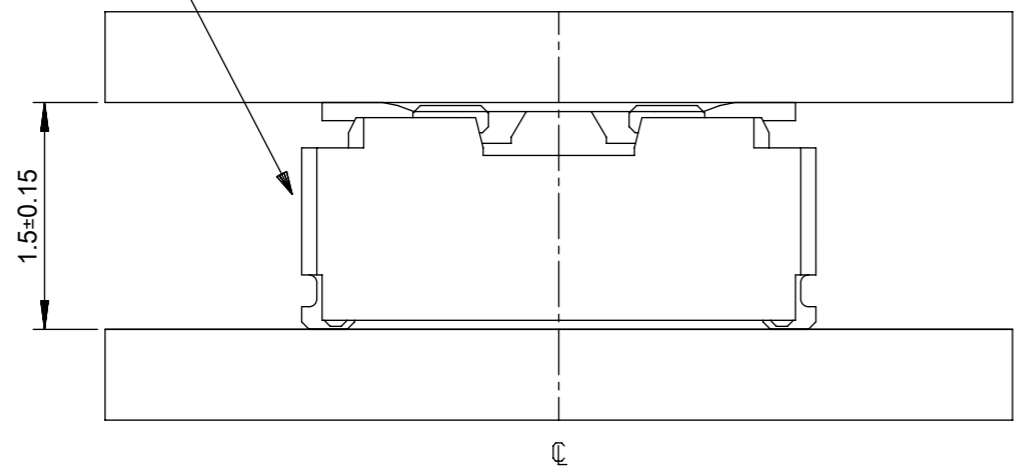
- (全極数/2) = 偶数の場合に適用。
 APPLY FOR (CIRCUIT/2)=EVEN.
- 嵌合相手: 51338シリーズ
 MATE WITH: 51338 SERIES.
- テール平坦度は、0.08以下
 テール及び金具の平坦度は、0.1以下
 TAIL COPLANARITY TO BE 0.08MAXIMUM
 TAIL AND FITTING NAIL COPLANARITY TO BE 0.1 MAXIMUM
- 本製品は 55909-**39 の鉛フリー品である。
 THIS PRODUCT IS LEAD FREE OF 55909-**39

21.2	19.6	22.0	55909-1074	100
19.2	17.6	20.0	55909-0974	90
17.2	15.6	18.0	55909-0874	80
15.2	13.6	16.0	55909-0774	70
13.2	11.6	14.0	55909-0674	60
11.2	9.6	12.0	55909-0574	50
9.2	7.6	10.0	55909-0474	40
8.0	6.4	8.8	55909-3474	34
7.2	5.6	8.0	55909-0374	30
6.4	4.8	7.2	55909-2674	26
17.2	15.6	18.0	55909-0840	80
9.2	7.6	10.0	55909-0440	40
5.2	3.6	6.0	55909-0240	20
C	B	A	EMBOSSED TAPE PKG. ORDER No. オーダー番号	CKT.
CONNECTOR SERIES NO.			55909-**39	

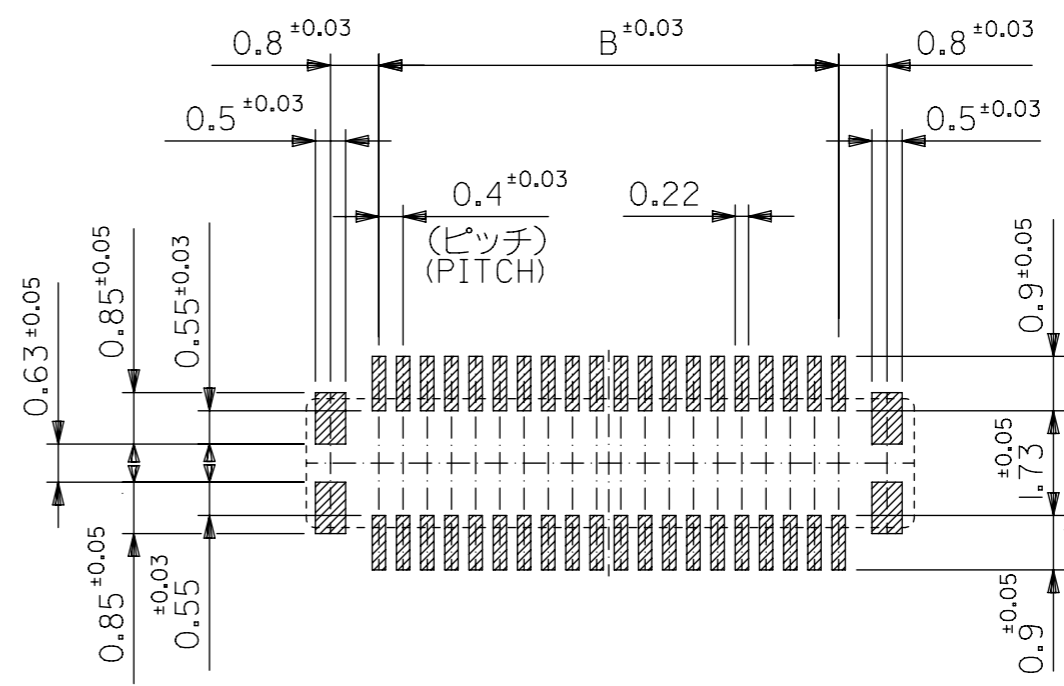
THIS DRAWING CONTAINS INFORMATION THAT IS PROPRIETARY TO MOLEX ELECTRONIC TECHNOLOGIES, LLC AND SHOULD NOT BE USED WITHOUT WRITTEN PERMISSION									
DIMENSION UNITS		SCALE		CURRENT REV DESC:					
mm		NTS							
GENERAL TOLERANCES (UNLESS SPECIFIED)				GENERAL TOLERANCES (UNLESS SPECIFIED)					
0.25 UNDER UNDER ± 0.03				ANGULAR TOL ± 3.0°					
0.25 OVER 0.5 UNDER ± 0.05				4 PLACES ±					
0.5 OVER 1.0 UNDER ± 0.1				3 PLACES ±					
1.0 OVER 10 UNDER ± 0.2				2 PLACES ±					
10 OVER 30 UNDER ± 0.25				1 PLACE ±					
30 OVER ± 0.3				0 PLACES ±					
DRAFT WHERE APPLICABLE MUST REMAIN WITHIN DIMENSIONS				THIRD ANGLE PROJECTION		DRAWING		SERIES	
				A3-SIZE		55909		MATERIAL NUMBER	
				SEE TABLE		GENERAL MARKET		CUSTOMER	
								SHEET NUMBER	
								1 OF 2	

GENERAL TOLERANCES (UNLESS SPECIFIED)			
0.25	UNDER	UNDER	± 0.03
0.25	OVER	0.5 UNDER	± 0.05
0.5	OVER	1.0 UNDER	± 0.1
1.0	OVER	10 UNDER	± 0.2
10	OVER	30 UNDER	± 0.25
30	OVER		± 0.3

嵌合相手
MATE WITH
51338-****



嵌合断面図 (参考)
MATED DRAWING (REFERENCE)



参考基板レイアウト (マウント面)
P.C. BOARD PATTERN DIMENSION.
(REFERENCE)
(MOUNTING AREA)

55909- **39 MODEL NO.

THIS DRAWING CONTAINS INFORMATION THAT IS PROPRIETARY TO MOLEX ELECTRONIC TECHNOLOGIES, LLC AND SHOULD NOT BE USED WITHOUT WRITTEN PERMISSION

GENERAL TOLERANCES (UNLESS SPECIFIED)			
0.25	UNDER	UNDER	± 0.03
0.25	OVER	0.5 UNDER	± 0.05
0.5	OVER	1.0 UNDER	± 0.1
1.0	OVER	10 UNDER	± 0.2
10	OVER	30 UNDER	± 0.25
30	OVER		± 0.3

DIMENSION UNITS	SCALE
mm	NTS

GENERAL TOLERANCES (UNLESS SPECIFIED)	
ANGULAR TOL	± 3.0°
4 PLACES	±
3 PLACES	±
2 PLACES	±
1 PLACE	±
0 PLACES	±

CURRENT REV DESC:		EC NO: 739909		2023/02/21	
DRWN: RAJMOK		CHK'D: HSHIMOYAMA		2023/02/23	
APPR: YNAITO		INITIAL REVISION:		2023/02/23	
DRWN: YSHIDA		DRWN: YSHIDA		2015/01/16	
APPR: KMORIKAWA		APPR: KMORIKAWA		2015/02/18	
THIRD ANGLE PROJECTION		DRAWING		SERIES	
A3-SIZE		55909		MATERIAL NUMBER	
SEE SHEET-1		GENERAL MARKET		CUSTOMER	
2 OF 2		SHEET NUMBER		2 OF 2	

molex

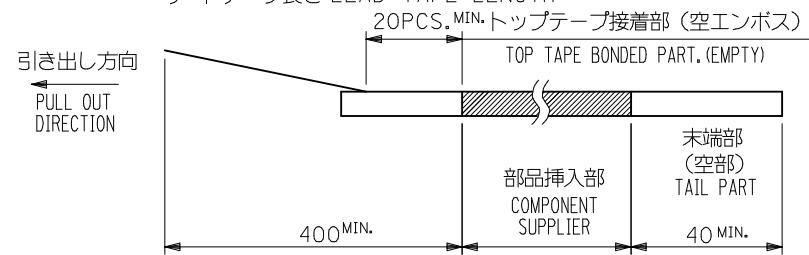
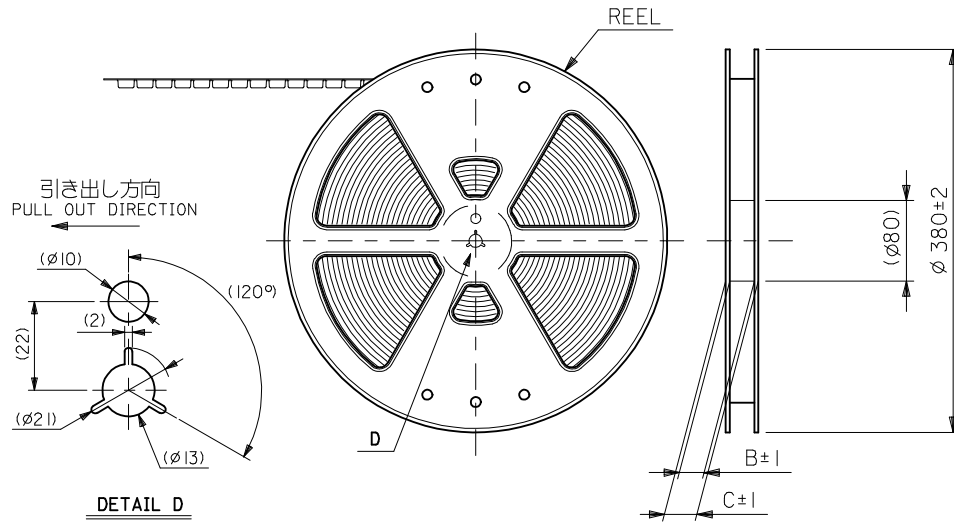
0.4 B-TO-B CONN. PLUG
ASSY (HGT=1.5) WITH NAIL -LEAD FREE-

PRODUCT CUSTOMER DRAWING

DOCUMENT NUMBER: SD-55909-007
DOC TYPE: PSD
DOC PART: 001
REVISION: B

NOTES

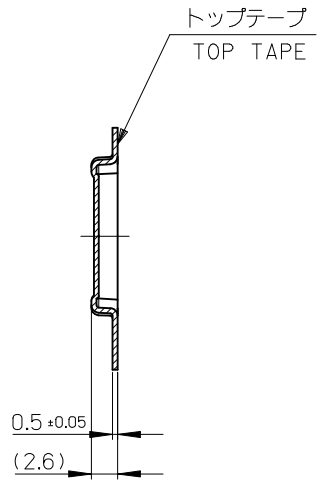
- 製品詳細寸法については製品単体図面を参照下さい。
RE DETAILED DIMENSION, SEE PRODUCT DRAWING.
- 梱包数量：2500個/リール
NUMBER OF CONNECTORS : 2500PCS/REEL
- リードテープ長さ LEAD TAPE LENGTH
20PCS. MIN. トップテープ接着部 (空エンボス)
TOP TAPE BONDED PART. (EMPTY)
部品挿入部
COMPONENT SUPPLIER
末端部 (空部)
TAIL PART
400 MIN. 40 MIN.
- トップテープの剥離強度については、IEC60286-3 に準拠。
TOP TAPE PEEL FORCE IS DEFINED BY IEC60286-3.
- 材料 MATERIAL
キャリアテープ (CARRIER TAPE) : ポリプロピレン (POLYPROPYLENE)
トップテープ (TOP TAPE) : PET, PE, PEF
リール (REEL) : ポリスチレン (PS) <リサイクル材を含む>
POLYSTYRENE (PS) <RECYCLE MATERIAL CONTAINED>
- ELV 及び RoHS 適合品。
ELV AND RoHS COMPLIANT.



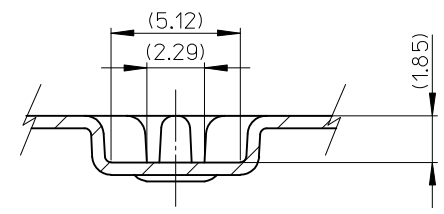
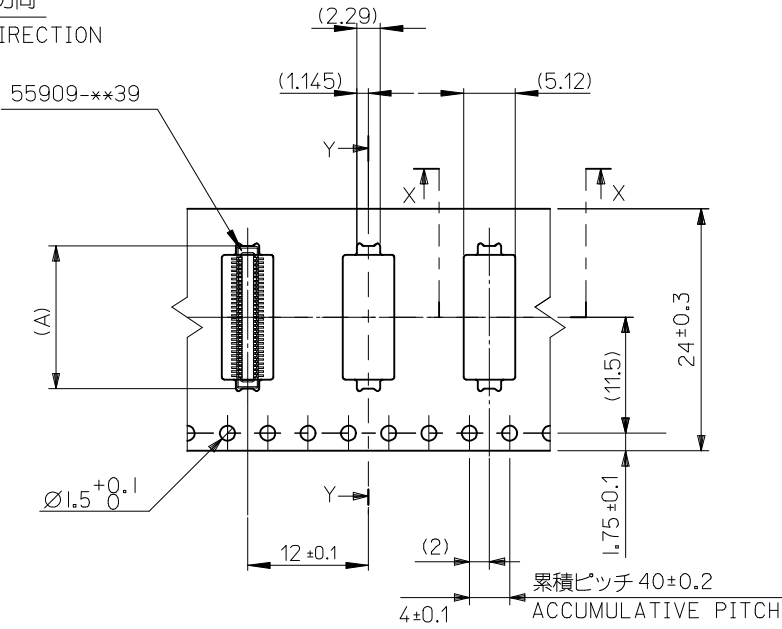
CONNECTOR SERIES No. 55909-**39

RELEASED EC NO: J2015-0916 DRWN: YISHIDA 2015/01/15 CHKD: TASAKAWA 2015/01/15 APPR: KMORIKAWA 2015/02/18	GENERAL TOLERANCES (UNLESS SPECIFIED)			DIMENSION STYLE MM ONLY		SCALE ---	DESIGN UNITS METRIC	THIRD ANGLE PROJECTION	
	0.25 UNDER	UNDER	±0.03	DRAWN BY	DATE	TITLE			
	0.25 OVER	0.5 UNDER	±0.05	YISHIDA	2015/01/15	0.4 B-TO-B CONN PLUG ASSY(HGT=1.5) EMBSTP PKG			
	0.5 OVER	1.0 UNDER	±0.1	CHECKED BY	DATE				
	1.0 OVER	10 UNDER	±0.2	TASAKAWA	2015/01/15				
	10 OVER	30 UNDER	±0.25	APPROVED BY	DATE	MATERIAL NO.		DOCUMENT NO.	
	30 OVER		±0.3	KMORIKAWA	2015/02/18	SEE CHART		SD-55909-008	
ANGULAR	±3 °		MATERIAL NO.		SIZE A3		SHEET NO. 1 OF 3		
DRAFT WHERE APPLICABLE MUST REMAIN WITHIN DIMENSIONS				THIS DRAWING CONTAINS INFORMATION THAT IS PROPRIETARY TO MOLEX INCORPORATED AND SHOULD NOT BE USED WITHOUT WRITTEN PERMISSION					

引き出し方向
PULL OUT DIRECTION

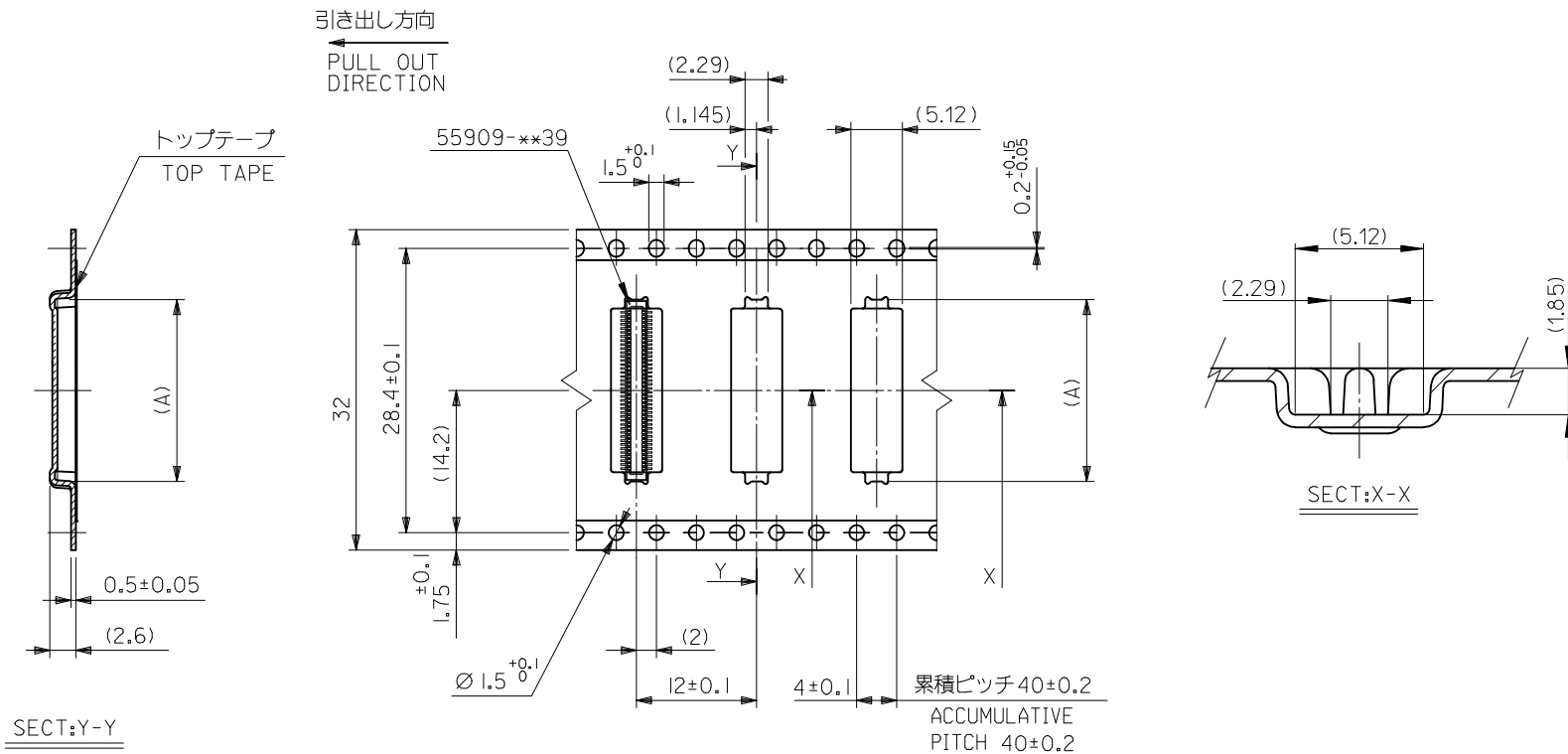


SECT. Y-Y



24	29.4	25.4	10.16 6.16	55909-0440 55909-0240	40 20
キャリアテープ幅 CARRIER TAPE WIDTH	C	B	(A)	MATERIAL NO.	CKT

SEE SHEET 1 OF 3 EC NO: J2015-0916 DRWN: YISHIDA 2015/01/16 CHKD: TASAKAWA 2015/01/16 APPR: KMORIKAWA 2015/02/18	GENERAL TOLERANCES (UNLESS SPECIFIED)		DIMENSION STYLE MM ONLY		SCALE ---	DESIGN UNITS METRIC	CONNECTOR SERIES No. 55909-***39
	0.25 UNDER	UNDER	± 0.03	DRAWN BY	DATE	TITLE	
	0.25 OVER	0.5 UNDER	± 0.05	YISHIDA	2015/01/16	0.4 B-T0-B CONN PLUG ASSY(HGT=1.5) EMBSTP PKG	
	0.5 OVER	1.0 UNDER	± 0.1	CHECKED BY	DATE		
	1.0 OVER	10 UNDER	± 0.2	TASAKAWA	2015/01/16		
10 OVER	30 UNDER	± 0.25	APPROVED BY	DATE			
30 OVER		± 0.3	KMORIKAWA	2015/02/18			
ANGULAR	± 3 °		MATERIAL NO.		DOCUMENT NO.		SHEET NO.
DRAFT WHERE APPLICABLE MUST REMAIN WITHIN DIMENSIONS			SEE CHART		SD-55909-008		2 OF 3
			SIZE A3	THIS DRAWING CONTAINS INFORMATION THAT IS PROPRIETARY TO MOLEX INCORPORATED AND SHOULD NOT BE USED WITHOUT WRITTEN PERMISSION			



32mm幅キャリアテープ
32mm WIDTH CARRIER TAPE

32	37.4	33.4	18.16	55909-0840	80
キャリアテープ幅 CARRIER TAPE WIDTH	C	B	(A)	MATERIAL NO.	極数 CKT.

SEE SHEET 10F 3 EC NO: J2015-0916 DRWN: YISHIDA 2015/01/16 CHKD: TASAKAWA 2015/01/16 APPR: KMORIKAWA 2015/02/18	GENERAL TOLERANCES (UNLESS SPECIFIED)		DIMENSION STYLE MM ONLY		SCALE ---	DESIGN UNITS METRIC	MODEL NO. 55909-**39	THIRD ANGLE PROJECTION
	0.25 UNDER	UNDER	±0.03	DRAWN BY	DATE	TITLE		
	0.25 OVER	0.5 UNDER	±0.05	YISHIDA	2015/01/16	0.4 B-TO-B CONN PLUG ASSY(HGT=1.5) EMBSTP PKG		
	0.5 OVER	1.0 UNDER	±0.1	TASAKAWA	2015/01/16	molex DOCUMENT NO. SD-55909-008 SHEET NO. 3 OF 3		
	1.0 OVER	30 UNDER	±0.2	KMORIKAWA	2015/02/18			
30 OVER		±0.3	MATERIAL NO.		SEE CHART			
ANGULAR	±3 °		SIZE A3		THIS DRAWING CONTAINS INFORMATION THAT IS PROPRIETARY TO MOLEX INCORPORATED AND SHOULD NOT BE USED WITHOUT WRITTEN PERMISSION			
DRAFT WHERE APPLICABLE MUST REMAIN WITHIN DIMENSIONS								