

Quantum™ LN CSAC

Low Noise Chip Scale Atomic Clock



Key Features

- Power consumption ≤ 275 mW
- Less than 46 cc volume, 2.0" x 2.0" x 0.70"
- 10 MHz Sine Wave output
- 1 PPS output and 1 PPS input for synchronization
- RS-232 interface for monitoring and control
- Short term stability (Allan Deviation) of $\leq 2E-11$ @ TAU = 1 sec
- Phase Noise - sine wave
 - ≤ -87 dBc/Hz @ 1 Hz
 - ≤ -120 dBc/Hz @ 10 Hz
 - ≤ -140 dBc/Hz @ 100 Hz
 - ≤ -145 dBc/Hz @ 1kHz
 - ≤ -150 dBc/Hz @ 10 kHz
 - ≤ -155 dBc/Hz @ ≥ 100 kHz

Key Applications

- Underwater sensor systems
- GPS receivers
- Dismounted radios
- Dismounted IED jamming systems
- Autonomous sensor networks
- Unmanned vehicles

The Low Noise Chip Scale Atomic Clock (LN CSAC) combines the accuracy of an atomic clock with the spectral purity of an ovenized crystal oscillator in a compact size requiring low input power.

Microsemi®, the developer of the CSAC, has incorporated a low power OCXO within the frequency control loop of the atomic clock enabling exceptional performance for both Allan Deviation and Phase Noise. This level of performance cannot be achieved using external phase locked loops.

The LN CSAC provides a 10 MHz sine wave output and 1 PPS output, with short-term stability [Allan Deviation] of $\leq 2E-11$ @ TAU = 1 sec, long-term aging of $\leq 9E-10$ /month, and maximum frequency change of $\pm 5E-10$ over an operating temperature range of -10°C to $+35^{\circ}\text{C}$.

The LN CSAC accepts a 1 PPS input that may be used to synchronize the unit's 1 PPS output to an external reference clock with ± 100 ns accuracy. The LN CSAC can also use the 1 PPS input to discipline its phase and frequency to within 1 ns and $1.0E-12$, respectively.

A standard RS-232 serial interface is built in to the LN CSAC. This is used to control and calibrate the unit and also to provide a comprehensive set of status monitors. The interface is also used to set and read the LN CSAC's internal time-of-day clock.

The LN CSAC acts as a frequency and timing subsystem while requiring limited size, weight and power.

The Quantum logo features the word "Quantum" in a bold, sans-serif font, followed by a stylized blue icon of a person with arms raised, resembling a quantum symbol or a person celebrating.

Microsemi invented portable atomic timekeeping with QUANTUM™, the world's first family of miniature and chip scale atomic clocks.

Choose QUANTUM™ class for best-in-class stability, size, weight and power consumption.

LN CSAC

Part number 090-01921-000

Specifications

All specifications at 25°C, Vcc = 3.3 VDC unless otherwise specified

ELECTRICAL SPECIFICATIONS

RF Output

- Frequency:	10 MHz
- Format:	Sine Wave
- Amplitude:	6-9 dBm
- Load impedance:	50Ω
- Quantity:	1

1 PPS Output

- Rise/fall time [10%-90%] at load capacitance 10pF:	≤10 ns
- Pulse width:	100 μs
- Level:	0 V to Vcc
- Logic High [VoH] min:	2.80 V
- Logic Low [VoL] max:	0.30 V
- Load impedance:	1 MΩ
- Quantity:	1

1 PPS Input

- Format:	Rising edge
- Low level:	≤0.5 V
- High level:	2.5 V to Vcc
- Input impedance:	1 MΩ
- Quantity:	1

Serial Communications

- Protocol:	RS232
- Format:	CMOS 0 V to Vcc
- Tx/Rx impedance:	1 MΩ
- Baud rate:	57600
- Number of data bits:	8
- Number of stop bits:	1
- Parity:	none

Built-in Test Equipment (BITE) output

- Format:	CMOS 0 V to Vcc
- Load impedance:	1 MΩ
- Logic:	0 = Normal operation 1 = Alarm

Power Input

- Operating :	≤275 mW
- Warmup:	≤775 mW
- Input voltage [Vcc]:	3.3 ± 0.1 VDC

PHYSICAL SPECIFICATIONS

- Size:	2.0" x 2.0" x 0.70"
- Weight:	≤75 g

ENVIRONMENTAL SPECIFICATIONS

Operating:

- Operating temperature:	-10°C to +35°C
- Maximum frequency change over operating temp range (max. rate of change 0.5°C/minute):	≤5x10 ⁻¹⁰
- Frequency change over allowable input voltage range:	≤4x10 ⁻¹⁰
- Magnetic sensitivity (≤2.0 Gauss):	≤9x10 ⁻¹¹ /Gauss
- Humidity:	0 to 95% RH per MIL-STD-810, Method 507.5.

Storage and Transport (non-operating):

- Temperature:	-40°C to +40°C
- Shock:	MIL-STD-202, 30g, half sine, 11 ms
- Vibration:	MIL-STD-810, Method 514.6, Figure 514.6E-1, 7.7 grms (General Minimum Integrity Exposure)

PERFORMANCE PARAMETERS

Frequency Stability (Allan Deviation)

ADEV	
TAU = 1 sec	2E-11
TAU = 10 sec	5E-11
TAU = 100 sec	2E-11

RF Output Phase Noise (SSB)

1 Hz	≤-87 dBc/Hz
10 Hz	≤-120 dBc/Hz
100 Hz	≤-140 dBc/Hz
1000 Hz	≤-145 dBc/Hz
10000 Hz	≤-150 dBc/Hz
≥100000 Hz	≤-155 dBc/Hz

Frequency Accuracy

- Maximum offset at shipment:	±5x10 ⁻¹¹
- Maximum retrace*(48 hrs off):	±5x10 ⁻¹⁰
- Aging, monthly*:	≤9x10 ⁻¹⁰ typical
- Aging, yearly:	≤1x10 ⁻⁸ typical
- 1 PPS Sync.:	±100 ns

*After 30 days of continuous operation

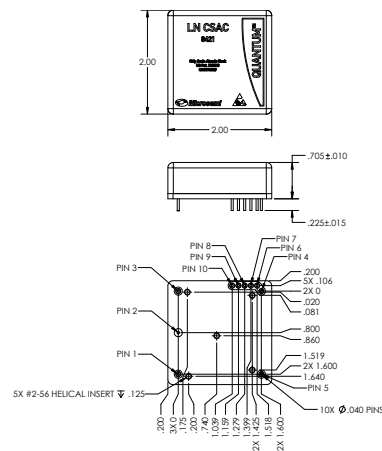
Digital Tuning

- Range:	±2x10 ⁻⁸
- Resolution:	1x10 ⁻¹²

Time to Lock

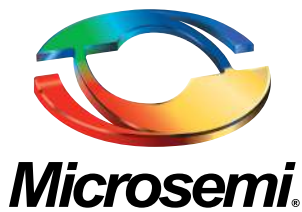
	≤4 minutes
--	------------

MECHANICAL SPECIFICATIONS



PINOUT DEFINITION

PIN	FUNCTION
1	NO CONNECTION
2	GND
3	10 MHz SINE OUT
4	GND
5	+3.3 +/- 0.1 VDC
6	BITE
7	TXD
8	RXD
9	1 PPS IN
10	1 PPS OUT



Microsemi Corporate Headquarters
One Enterprise, Aliso Viejo,
CA 92656 USA

Within the USA: +1 (800) 713-4113
Outside the USA: +1 (949) 380-6100
Sales: +1 (949) 380-6136
Fax: +1 (949) 215-4996

E-mail: sales.support@microsemi.com

© 2015 Microsemi Corporation. All rights reserved. Microsemi and the Microsemi logo are trademarks of Microsemi Corporation. All other trademarks and service marks are the property of their respective owners.

Microsemi Corporation (Nasdaq: MSCC) offers a comprehensive portfolio of semiconductor and system solutions for communications, defense & security, aerospace and industrial markets. Products include high-performance and radiation-hardened analog mixed-signal integrated circuits, FPGAs, SoCs and ASICs; power management products; timing and synchronization devices and precise time solutions, setting the world's standard for time; voice processing devices; RF solutions; discrete components; security technologies and scalable anti-tamper products; Ethernet Solutions; Power-over-Ethernet ICs and midspans; as well as custom design capabilities and services. Microsemi is headquartered in Aliso Viejo, Calif., and has approximately 3,600 employees globally. Learn more at www.microsemi.com.

Microsemi makes no warranty, representation, or guarantee regarding the information contained herein or the suitability of its products and services for any particular purpose, nor does Microsemi assume any liability whatsoever arising out of the application or use of any product or circuit. The products sold hereunder and any other products sold by Microsemi have been subject to limited testing and should not be used in conjunction with mission-critical equipment or applications. Any performance specifications are believed to be reliable but are not verified, and Buyer must conduct and complete all performance and other testing of the products, alone and together with, or installed in, any end-products. Buyer shall not rely on any data and performance specifications or parameters provided by Microsemi. It is the Buyer's responsibility to independently determine suitability of any products and to test and verify the same. The information provided by Microsemi hereunder is provided "as is, where is" and with all faults, and the entire risk associated with such information is entirely with the Buyer. Microsemi does not grant, explicitly or implicitly, to any party any patent rights, licenses, or any other IP rights, whether with regard to such information itself or anything described by such information. Information provided in this document is proprietary to Microsemi, and Microsemi reserves the right to make any changes to the information in this document or to any products and services at any time without notice.