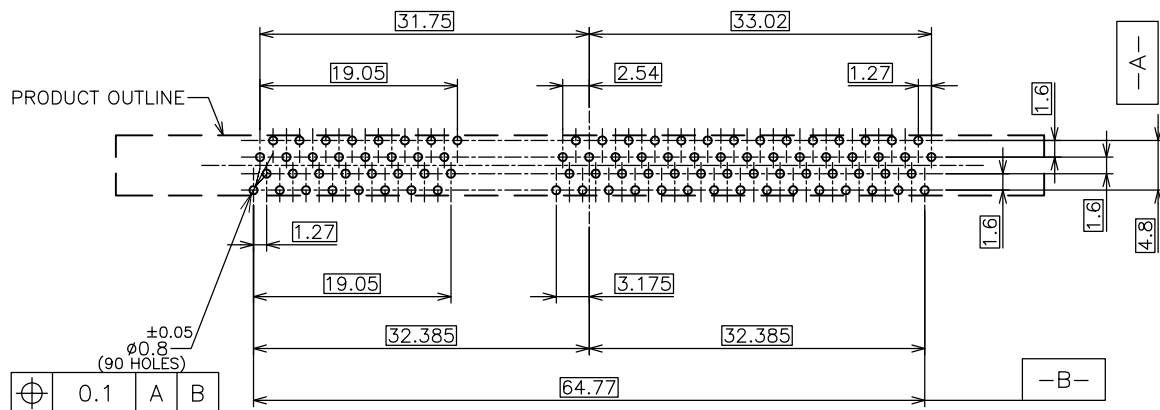
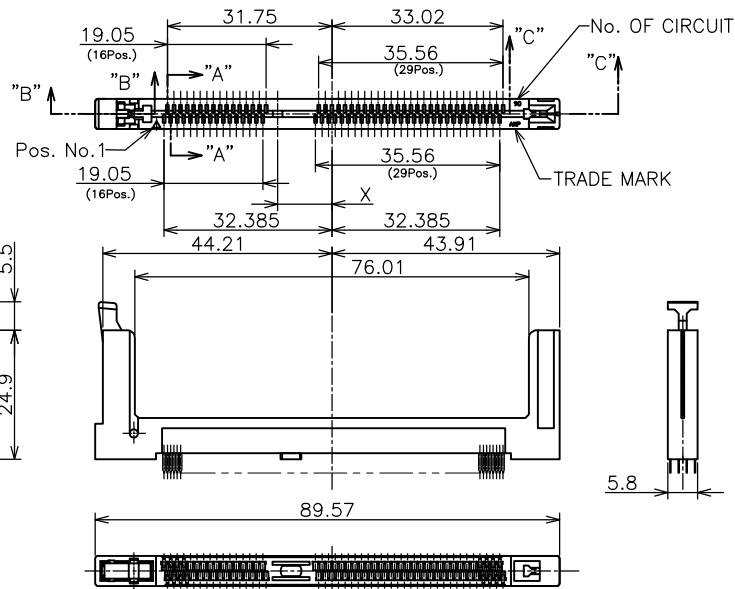
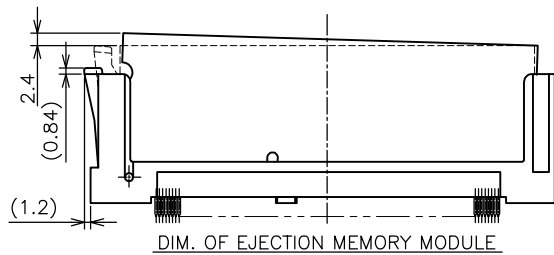


P	LTR	DESCRIPTION	DATE	DWN	APVD
0		RELEASED	16MAY05	J.Z	I.E



MOUNTING LAYOUT (VIEW FROM CONN. MOUNTING SIDE)
(t=1.6)
(SCALE 2-1)



DIM. OF EJECTION MEMORY MODULE

NOTES

- ▲ MATERIAL ; HOUSING : THERMOPLASTICS UL94V-0.
CONTACT : COPPER ALLOY.
ARM BAR & PUSH BAR : THERMOPLASTICS UL94V-0.
- ▲ FINISH ; CONTACT AREA : GOLD PLATE.
OVER Ni PLATE.
SOLDERING AREA ; TIN PLATE.

PARTS	No.
ARM	④
PUSH BAR	③
CONTACT	②
HOUSING	①

5.3975	NATURAL (WHITE)	GRAY		6376118-6
10.4775		BLACK	OPTION	6376118-2
		NATURAL (WHITE)	STANDARD	6376118-1
X (KEY DIMENSION)	COLOR OF PUSH BAR	COLOR OF HOUSING	APPLICATION	PARTS No.

THIS DRAWING IS A CONTROLLED DOCUMENT.

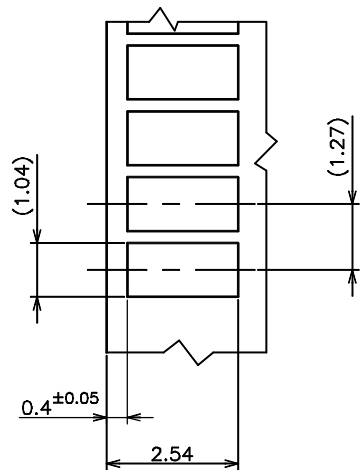
DIMENSIONS:	TOLERANCES UNLESS OTHERWISE SPECIFIED:
MM	
	0-PLC 10± ± 0.2
	1-PLC 30± >10 ± 0.25
	2-PLC 100± >>30 ± 0.3
	3-PLC ± ±
	4-PLC ± ±
	ANGLES ± 3'
MATERIAL	FINISH

DWN Julyee.Zhu 16MAY05		Tyco Electronics AMP K.K. Kawasaki, Japan		
CHK Takahiro.Kawamae 16MAY05		NAME		
APVD Ikuo.Enomoto 16MAY05		MIII SOCKET VERTICAL 90P DIP TYPE (DIMM SOCKET)		
PRODUCT SPEC 108-78286	SIZE A3	CAGE CODE 00779	DRAWING NO C-6376118	RESTRICTED TO
APPLICATION SPEC	WEIGHT			SCALE 1 : 1
CUSTOMER DRAWING	SHEET 1 OF 2			REV 0

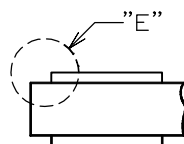
P	LTR	DESCRIPTION	DATE	DWN	APVD
-	-	SEE SHEET 1	-	-	-



COMPONENT AREA

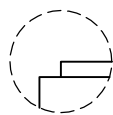


DETAIL "D"



"E"

5.3975	6376118-6
10.4775	6376118-2
	6376118-1
X (KEY DIMENSION)	PARTS No.

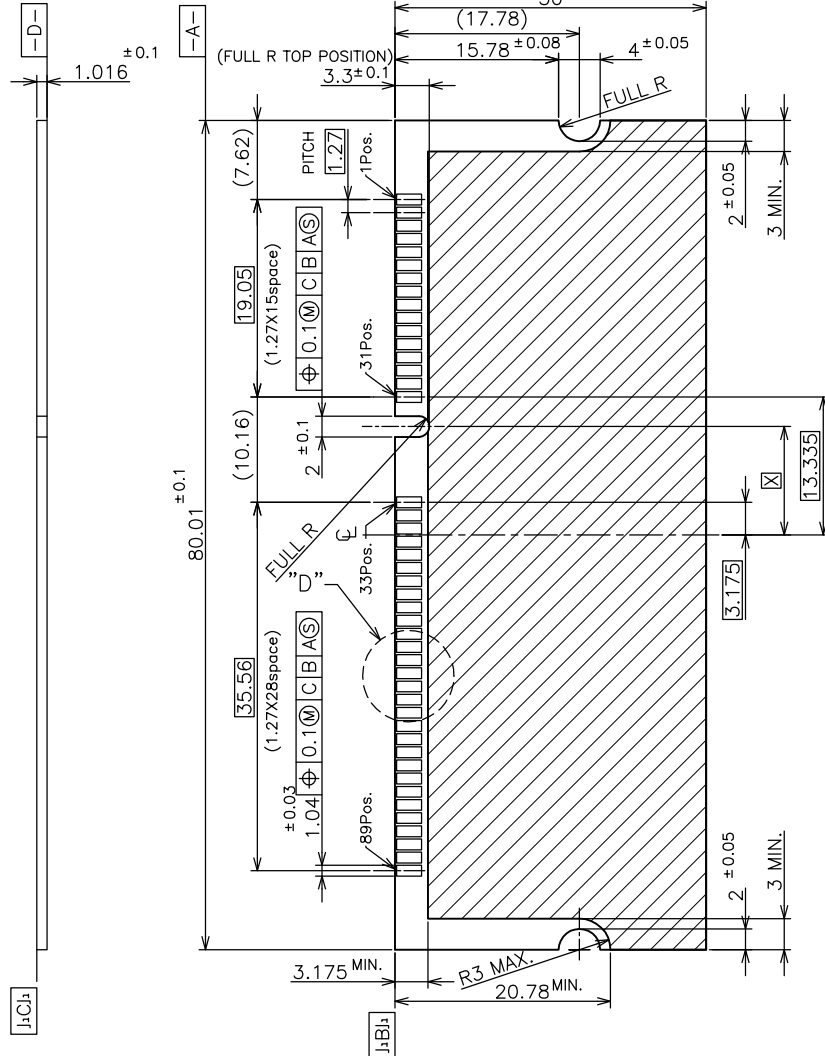
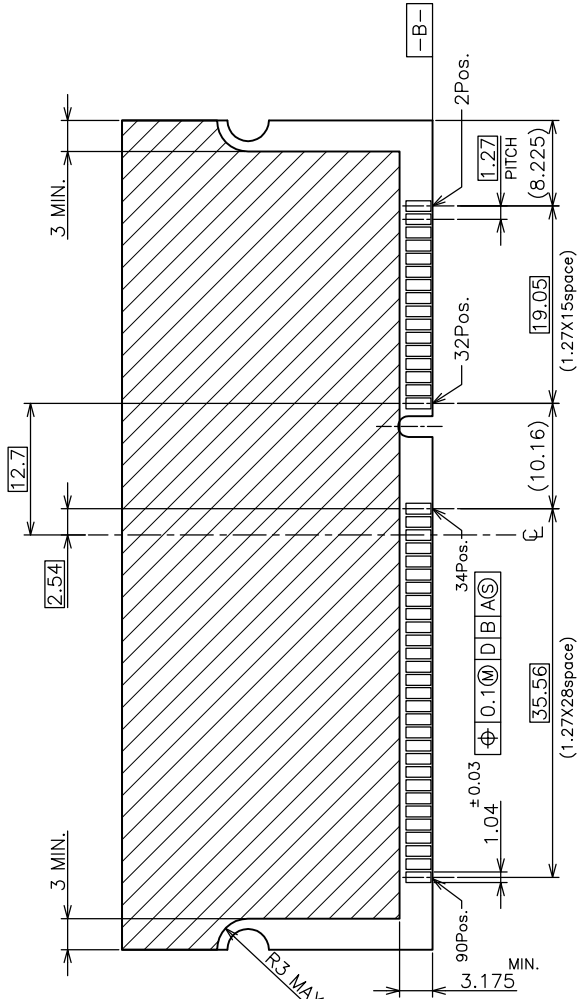


GOOD



NO GOOD

DETAIL "E"
DISPOSE OF ETCHING FOR PCB PATTERN



THIS DRAWING IS A CONTROLLED DOCUMENT.

DIMENSIONS:	TOLERANCES UNLESS OTHERWISE SPECIFIED:
MM	
0 PLC	± 3'
1 PLC	± 3'
2 PLC	± 3'
3 PLC	± 3'
4 PLC	± 3'
ANGLES	± 3'
MATERIAL	FINISH

DWN
CHK
APVD
PRODUCT SPEC
APPLICATION SPEC
WEIGHT
CUSTOMER DRAWING

tyco Electronics		Tyco Electronics AMP K.K. Kawasaki, Japan	
NAME		MIII SOCKET VERTICAL 90P DIP TYPE RECOMMENDED P.C.B LAYOUT	
SIZE	CAGE CODE	DRAWING NO	RESTRICTED TO
A3	00779	C-6376118	
SCALE 2:1		SHEET 2 OF 2	REV 0