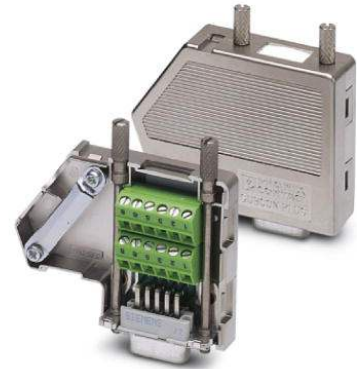


SUBCON-PLUS F4


Order No.: 2744089

The illustration shows version SUBCON-PLUS M 2



<http://eshop.phoenixcontact.de/phoenix/treeViewClick.do?UID=2744089>

D-SUB connector, 9-pos. female connector, two cable entries < 35°, bus system: CAN, KEBA up to 1 Mbps, pin assignment: 2, 3, 4, 5, 6, 7; screw connection terminal blocks

| Commercial data | |
|-----------------|-------------------------------------------------------------------------------------|
| GTIN (EAN) |  |
| sales group | H631 |
| Pack | 1 pcs. |
| Customs tariff | 85366990 |

Product notes

WEEE/RoHS-compliant since:
06/04/2007



<http://www.download.phoenixcontact.com>
Please note that the data given here has been taken from the online catalog. For comprehensive information and data, please refer to the user documentation. The General Terms and Conditions of Use apply to Internet downloads.

| Technical data | |
|-----------------------------|------------|
| General data | |
| Nominal voltage U_N | 60 V AC/DC |
| Nominal current I_N | 1 A |
| Bus system | CAN, KEBA |
| Insertion/withdrawal cycles | > 200 |

| | |
|---------------------------------|-----------------------------------------|
| Max. cable diameter | 10 mm |
| Min. cable diameter | 6 mm |
| SUBCON fixing screws | 4-40 UNC |
| Tightening torque | 0.4 Nm |
| Ambient temperature (operation) | -20 °C ... 70 °C |
| Housing material | ABS, metal-plated |
| Pin assignment | 2, 3, 4, 5, 6, 7 on two terminal blocks |

Connection data

| | |
|----------------------------------------|----------------------|
| Connection | D-SUB connection |
| Number of positions | 9 |
| Type of connection | D-SUB socket |
| Tightening torque | 0.4 Nm |
| Connection | PCB connection |
| Type of connection | Screw connection |
| Conductor cross section solid min. | 0.14 mm ² |
| Conductor cross section solid max. | 1.5 mm ² |
| Conductor cross section stranded min. | 0.14 mm ² |
| Conductor cross section stranded max. | 1 mm ² |
| Conductor cross section AWG/kcmil min. | 26 |
| Conductor cross section AWG/kcmil max | 16 |
| Stripping length | 5 mm |
| Tightening torque | 0.4 Nm |

Certificates / Approvals



Certification

CUL, GOST, UL

Accessories

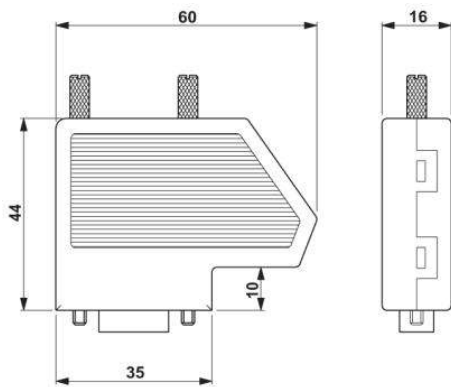
| Item | Designation | Description |
|------|-------------|-------------|
|------|-------------|-------------|

Assembly

| | | |
|---------|--------------------|-------------------------------------------------------------------------------------------------------------------------|
| 2799694 | SUBCON-SHORT-SCREW | Optional mounting screw, without knurl for narrow installation conditions, slotted head, length: 40 mm, UNC 4-40 thread |
|---------|--------------------|-------------------------------------------------------------------------------------------------------------------------|

Diagrams/Drawings

Dimensioned drawing



Address

PHOENIX CONTACT Deutschland GmbH
Flachmarktstr. 8
32825 Blomberg, Germany
Phone +49 5235 3 12000
Fax +49 5235 3 41200
<http://www.phoenixcontact.de>



© 2011 Phoenix Contact
Technical modifications reserved;