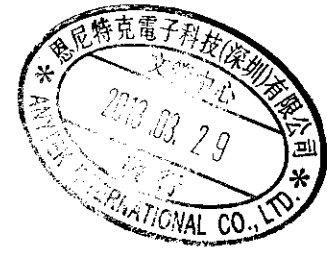
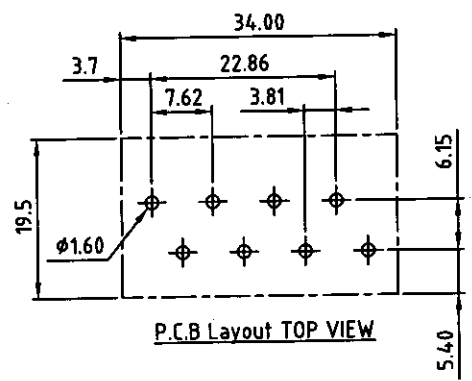
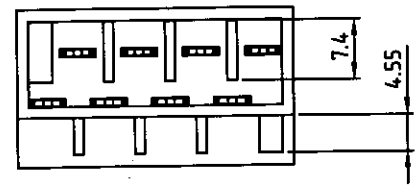
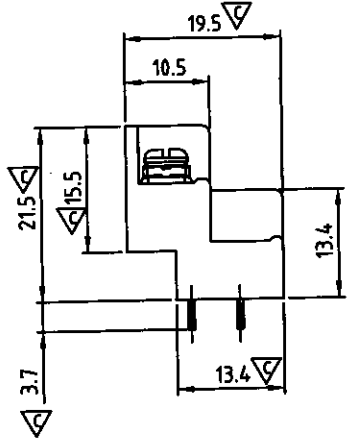
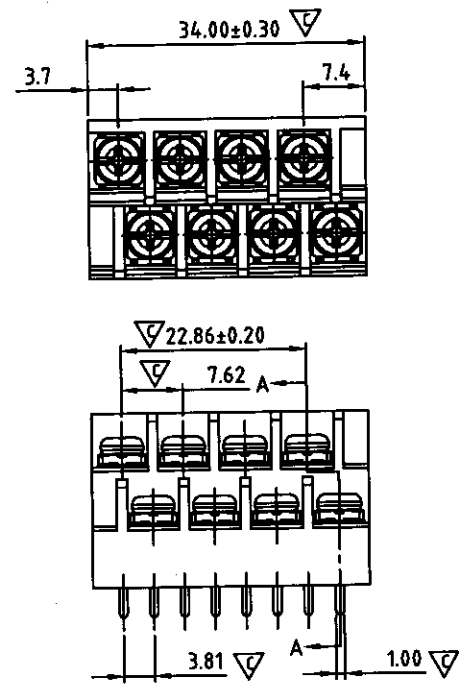
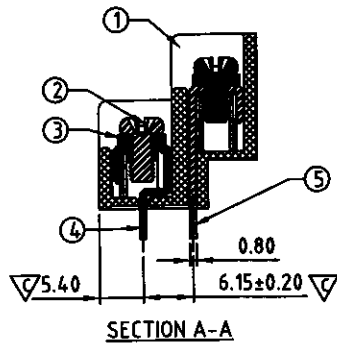


SIGN	DATE	DESCRIPTION	APPROVER
△	12/18 '12	Change the screw plating specification	Jacky
△	03/18 '13	Change the screw plating specification	Jacky

THIS IS CAD DRAWING, DO NOT REVISE MANUALLY!!!

MATERIALS ELECTRICAL
 RATED VOLTAGE & CURRENT: 300 V, 10 A
 WITHSTAND VOLTAGE: AC 2000 V/Min
 INSULATION RESISTANCE: 1000 MΩ OR MORE AT DC 500 V
 OPERATING TEMPERATURE RANG: -40 °C ~ +130 °C
 SCREW TORQUE VALUE: 5.2 Lb-in
 WIRE RANGE: 16 - 26 AWG
 Critical dimension: ▽

NO:	Name	Material/ standards	Number
①	Molded Parts:	PBT, UL 94 V-0	1
②	Terminals Screw:	Steel M3 Ni Plated	8
③	Washer :	Steel Ni Plated	8
④	Terminals(S):	Brass 0.8t ; Tin Plated	4
⑤	Terminals(L):	Brass 0.8t ; Tin Plated	4



ANYTEK				CUSTOMER COPY	
ALL RIGHTS RESERVED. REPRODUCTION OR ISSUE TO THIRD PARTIES IN ANY FORM WHATSOEVER IS NOT PERMITTED WITHOUT WRITTEN AUTHORITY FROM THE PROPRIETOR. PROPERTY OF ANYTEK TECHNOLOGY CO., LTD.					
TITLE	YK-66C Series 2x4P				
PART NO.	YK66C0803000G	DWG NO.	8YK0001-66C		
APPROVED	CHECKED	DESIGNED	DRAWN	CUST NO.	62776143003
		Jacky	Jacky		UNIT: mm
		2013.13.18	2013.13.18		SCALE: NONE
SHEET: 01/01				REV: D	Tolerance
					X. ±0.50
					X.X ±0.30
					X.XX ±0.10
					X° ±1°